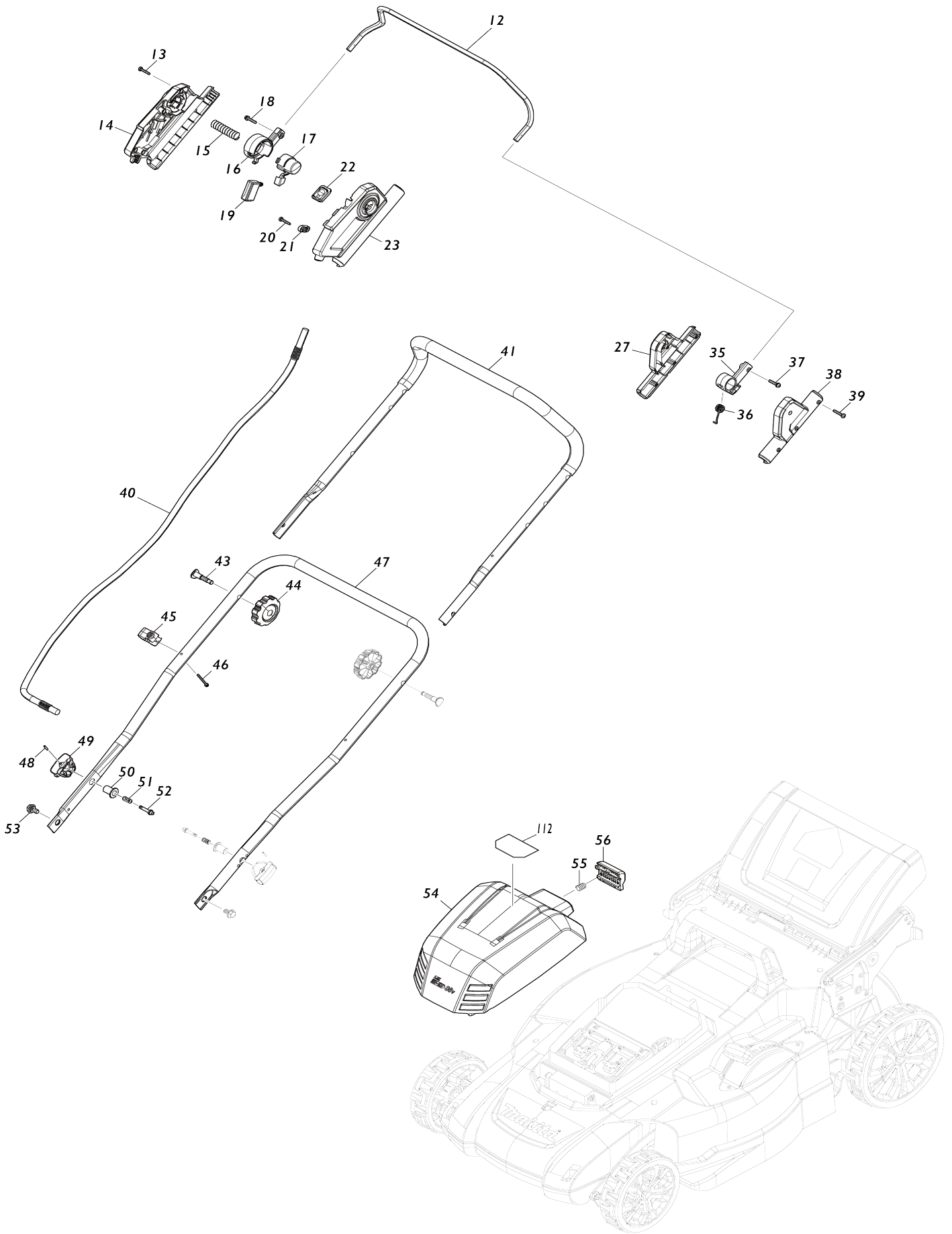
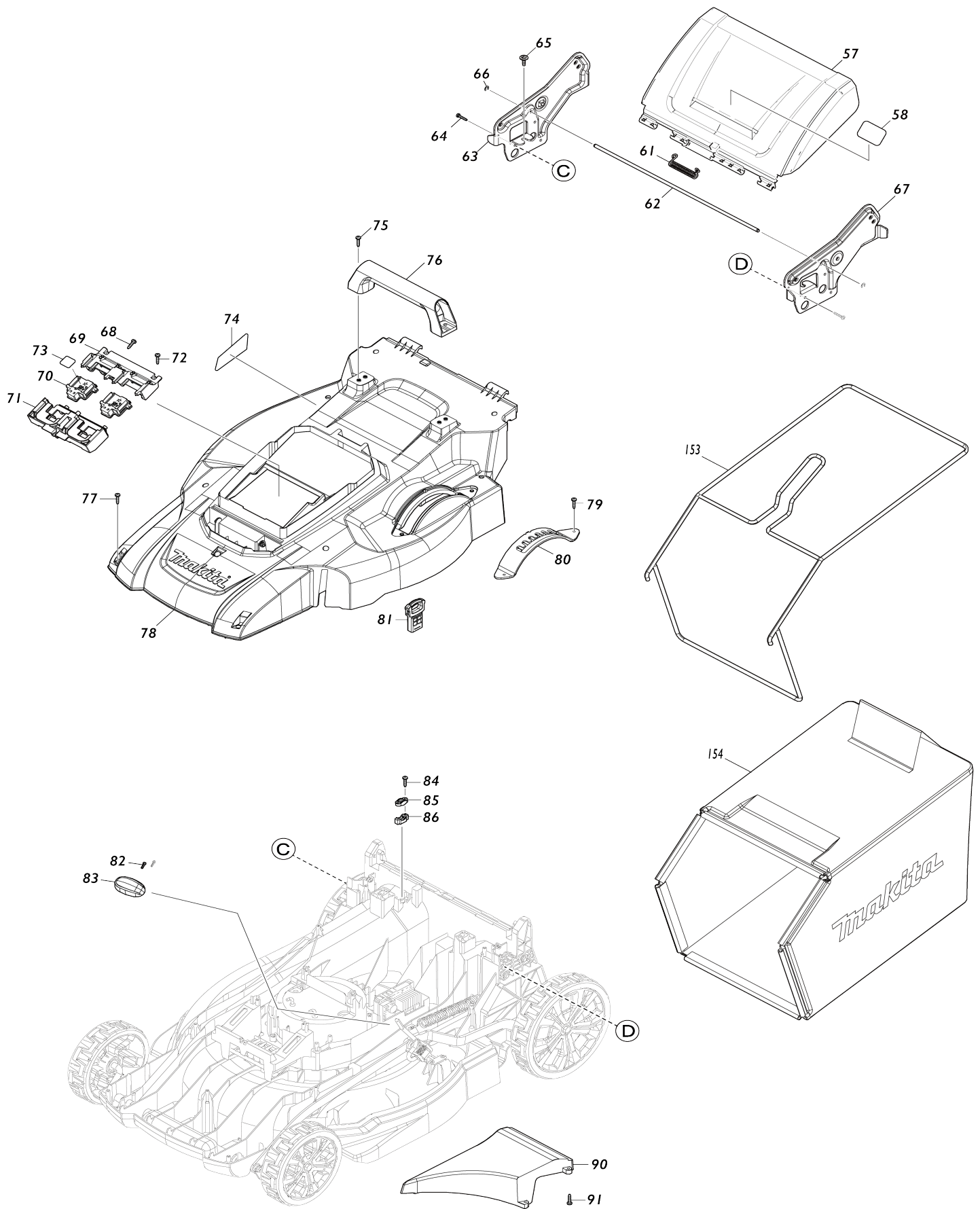


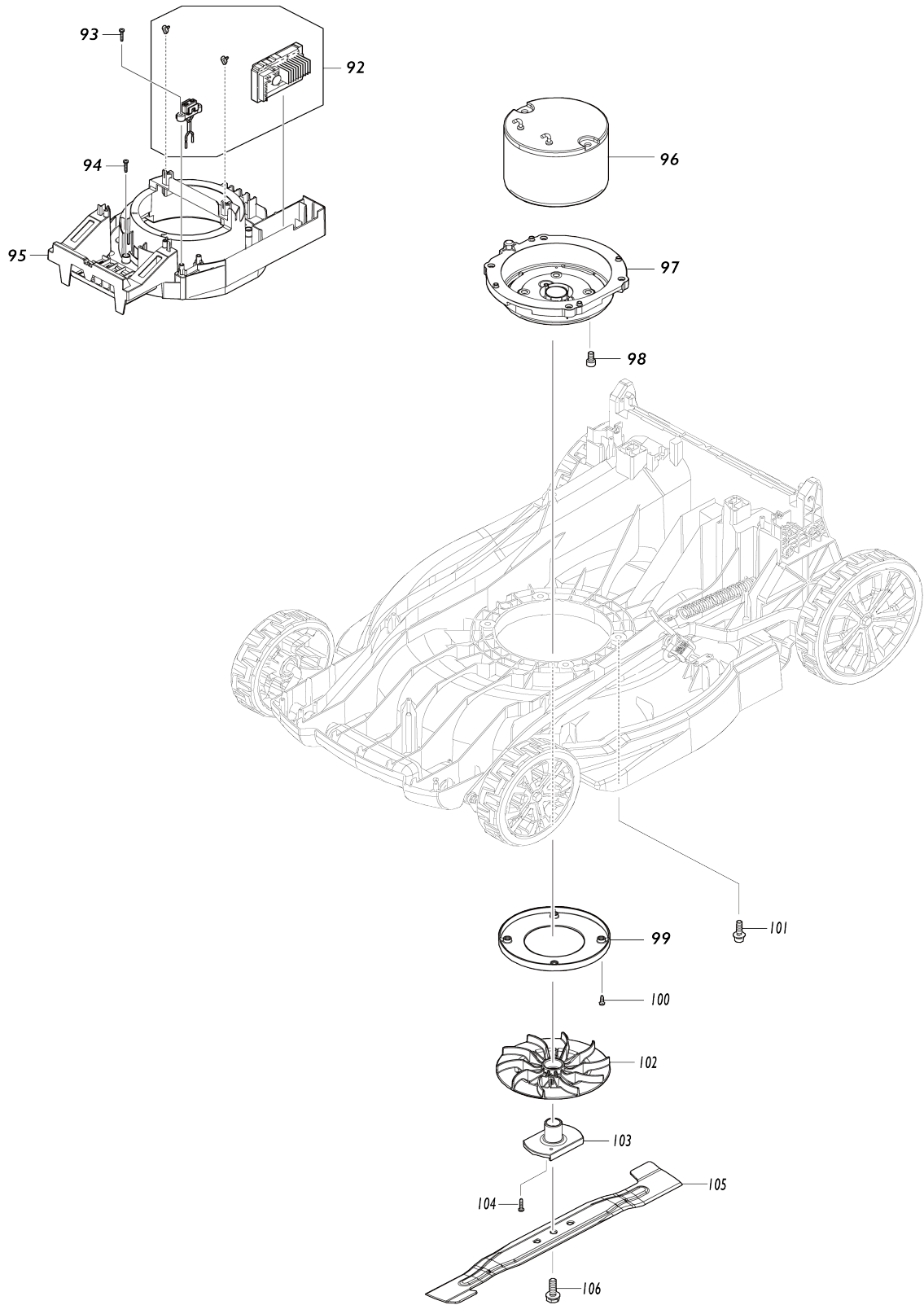
# Model No.DLM480 480MM CORDLESS LAWN MOWER



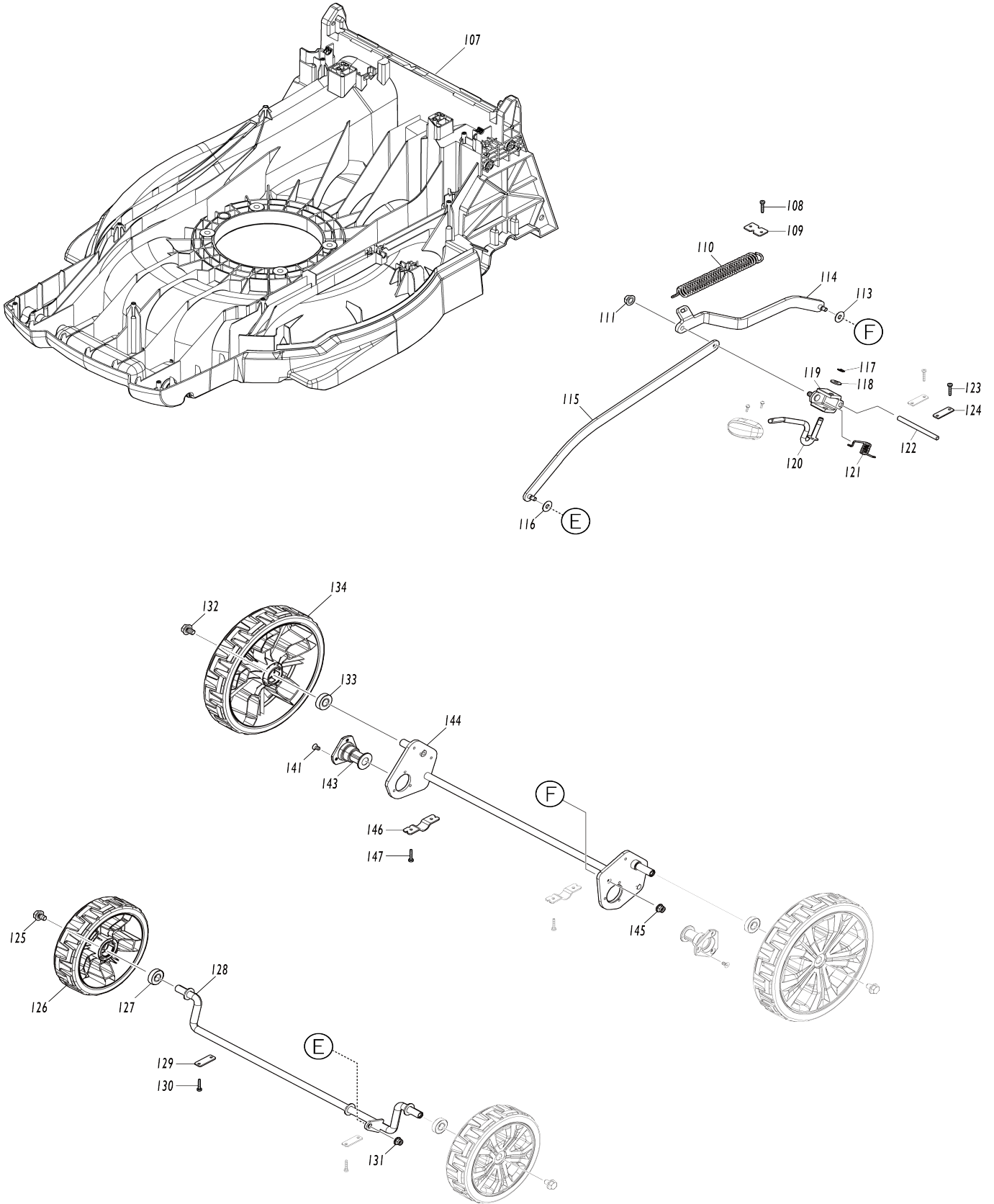
# Model No.DLM480 480MM CORDLESS LAWN MOWER



# Model No.DLM480 480MM CORDLESS LAWN MOWER



# Model No.DLM480 480MM CORDLESS LAWN MOWER



Model No.DLM480 480MM CORDLESS LAWN MOWER

Item No.	Parts No.	Description	Interchangeability	Q'ty	New/Old	Note1	Note2
012	327424-8	SWITCH LEVER		1			
013	266424-2	TAPPING SCREW 4X20		7			
014	183V31-7	SWITCH BOX SET		1			
C10	8045G7-5	INDICATION LABEL		1			
D10		INC. 23					
015	231227-3	COMPRESSION SPRING 15		1			
016	413A99-6	SWITCH LEVER SUPPORT R		1			
C10	931102-0	HEX. NUT M4		1			
017	413B00-7	LOCK OFF BUTTON		1			
018	911138-5	P.H.SCREW M4X20 WITH WR		1			
019	651083-9	SWITCH C3XA-1PSPM		1			
020	266424-2	TAPPING SCREW 4X20		2			
021	687123-7	STRAIN RELIEF		1			
022	141H35-1	SWITCH CIRCUIT COMPLETE		1			
C10	810D46-0	SWITCH LABEL		1			
023	183V31-7	SWITCH BOX SET		1			
C10	8045G7-5	INDICATION LABEL		1			
D10		INC. 14					
027	183U21-4	LEVER BOX SET		1			
D10		INC. 38					
035	459863-5	SWITCH LEVER SUPPORT L		1			
C10	931102-0	HEX. NUT M4		1			
036	232575-3	TORSION SPRING 12		1			
037	911138-5	P.H.SCREW M4X20 WITH WR		1			
038	183U21-4	LEVER BOX SET		1			
D10		INC. 27					
039	266424-2	TAPPING SCREW 4X20		4			
040	699198-4	POWER SUPPLY CORD UNIT		1			
041	327871-3	HANDLE UPPER		1			
043	265C08-1	FLAT HEAD BOLT M8X50		2			
044	265C06-5	THUMB NUT M8		2			
045	413944-9	CLAMP		1			
C10	931102-0	HEX. NUT M4		1			
046	911163-6	PAN HEAD SCREW M4X35		1			
047	122A73-0	HANDLE LOWER ASSEMBLY		1			
D10		INC. 48-52					
048	258004-8	SPRING PIN 2.5-16		2			
049	413943-1	KNOB		2			
050	327877-1	LOCK HOLDER		2			
051	234121-8	COMPRESSION SPRING 8		2			
052	327876-3	LOCK PIN		2			
053	265C07-3	HEX. BOLT M8		2			
054	141F56-1	BATTERY COVER COMPLETE		1	*		
C10	890380-0	CAUTION LABEL		1	*		
054-1	141H43-2	BATTERY COVER COMPLETE	O	1			
C11	8044A3-5	CAUTION LABEL	O	1			
055	231037-8	COMPRESSION SPRING 7		1			

056	413B03-1	LOCK LEVER		1			
057	141J54-9	REAR FLAP COMPLETE		1	*		
D10		INC. 58					
057-1	141J55-7	REAR FLAP COMPLETE	O	1			
D10		INC. 58					
058	8047H5-8	CAUTION LABEL		1	*		
058-1	8047H4-0	CAUTION LABEL	O	1			
061	232721-8	TORSION SPRING 8		1			
062	327874-7	ROD 6		1			
063	347867-8	HANDLE BRACKET R		1			
064	266553-1	TAPPING SCREW 5X30		6			
065	265C05-7	TAPPING SCREW FRANGE 5X20		2			
066	961018-5	STOP RING E-5		2	*		
066-1	259084-7	STOP RING (EXT) E-5	O	2			
067	347866-0	HANDLE BRACKET L		1			
068	266424-2	TAPPING SCREW 4X20		3			
069	183N35-1	TERMINAL HOUSING SET		1			
C10	263005-3	RUBBER PIN 6		4			
D10		INC. 71					
070	644809-6	TERMINAL		2			
071	183N35-1	TERMINAL HOUSING SET		1			
C10	263005-3	RUBBER PIN 6		4			
D10		INC. 69					
072	266424-2	TAPPING SCREW 4X20		3			
073	8114E2-8	DLM480 SERIAL NO. LABEL		1			
074	8114D9-7	DLM480 NAME PLATE		1			
075	266424-2	TAPPING SCREW 4X20		4			
076	413938-4	REAR GRIP		1			
077	266424-2	TAPPING SCREW 4X20		11			
078	141J46-8	COWLING COMPLETE		1			
C10	422789-4	SPONGE SEAL		1			
C20	8031N0-1	INDICATION LABEL		2			
079	266424-2	TAPPING SCREW 4X20		2			
080	162993-0	HEIGHT ADJUST PLATE		1			
081	643535-4	KEY		1			
082	266816-5	+ PAN HEAD SCREW M3X12 WIT H WR		2	*		
082-1	265C97-6	+ PAN HEAD SCREW M3X12 WIT H WR	O	2			
083	413939-2	HEIGHT ADJUST LEVER GRIP		1			
084	266424-2	TAPPING SCREW 4X20		2			
085	687123-7	STRAIN RELIEF		1			
086	687051-6	STRAIN RELIEF		1			
090	413924-5	DECK REAR COVER		1			
091	266424-2	TAPPING SCREW 4X20		4			
092	620G78-5	CONTROLLER		1			
093	266424-2	TAPPING SCREW 4X20		2			
094	266424-2	TAPPING SCREW 4X20		4			
095	413B05-7	MOTOR COVER		1			
096	629A90-6	DC MOTOR		1			
097	141H61-0	MOTOR BRACKET COMPLETE		1			
098	922422-3	HEX. SOCKET HEAD BOLT M8X16		4			

099	459853-8	BAFFLE PLATE		1		
100	266385-6	TAPPING SCREW 4X14		4		
101	265C22-7	H.S.H.BOLT M8X30 WITH WG		4		
102	240229-8	FAN 170		1		
103	313393-9	BLADE SUPPORT 480		1		
104	266424-2	TAPPING SCREW 4X20		2		
105	191V97-3	BLADE 480 SET		1		
106	265A69-9	HEX. BOLT M10X35 WITH WG		1	*	
106-1	265D72-8	HEX. BOLT M10X35 WG	<	1		
107	413A62-9	DECK		1		
108	266424-2	TAPPING SCREW 4X20		2		
109	347870-9	HOOK PLATE		1		
110	232717-9	TENSION SPRING 17		1		
111	252301-4	HEX. FLANGE LOCK NUT M6-10		1		
112	8046H7-8	INDICATION LABEL		1		
113	253731-2	FLAT WASHER 8		1		
114	347873-3	CONNECTING ROD R		1		
115	347872-5	CONNECTING ROD F		1		
116	253731-2	FLAT WASHER 8		1		
117	961012-7	STOP RING E-6		1	*	
117-1	259085-5	STOP RING (EXT)E-6	O	1		
118	267281-1	FLAT WASHER 8		1		
119	313389-0	ROD HOLDER		1		
120	327872-1	HEIGHT ADJUST LEVER		1		
121	232715-3	TORSION SPRING 9		1		
122	327873-9	ROD 7		1		
123	266424-2	TAPPING SCREW 4X20		4		
124	347869-4	PLATE		2		
125	265324-3	HEX. FLANGE HEAD BOLT M8X12		2		
126	141E34-5	TIRE 180 COMPLETE		2		
127	210163-6	BALL BEARING 6001DDW		2		
128	162991-4	FRONT SHAFT		1		
129	347869-4	PLATE		2		
130	266424-2	TAPPING SCREW 4X20		4		
131	252301-4	HEX. FLANGE LOCK NUT M6-10		1		
132	265324-3	HEX. FLANGE HEAD BOLT M8X12		2		
133	210163-6	BALL BEARING 6001DDW		2		
134	141E35-3	TIRE 230 COMPLETE		2		
141	251951-2	HEX. SOCKET C.S.H. SCREW M5X10		6		
143	313390-5	REAR SHAFT HOLDER		2		
144	162992-2	REAR SHAFT		1		
145	252301-4	HEX. FLANGE LOCK NUT M6-10		1		
146	347865-2	CLAMP 19		2		
147	266553-1	TAPPING SCREW 5X30		4		
153	162A29-1	GRASS CATCHER BRACKET		1	*	
153-1	162C44-7	GRASS CATCHER BRACKET	<	1		
154	162A28-3	GRASS CATCHER		1	*	
154-1	162C11-2	GRASS CATCHER	<	1		
A01	327589-6	ROD 6		1		
A02	413946-5	MULCHING PLUG 480		1		
A03	782210-8	SOCKET WRENCH 17		1		

E01	688238-3	LINE FILTER		2		
E02	688162-0	LINE FILTER		1		
E03	688164-6	LINE FILTER		1		
E04	819V88-9	SOUND 95DB LABEL		1		
F01	191V97-3	BLADE 480 SET		1		
A04	***DC18SH	DC18SH TWO PORT CHAGER		1		
D10		COMPO-PARTS				
A05	197280-8	BATTERY BL1850B SET		2		
A04	***DC18RD	DC18RD TWO PORT FAST CHARGER		1		

Please state Parts No. when your order.

Print Date 03/22/2024