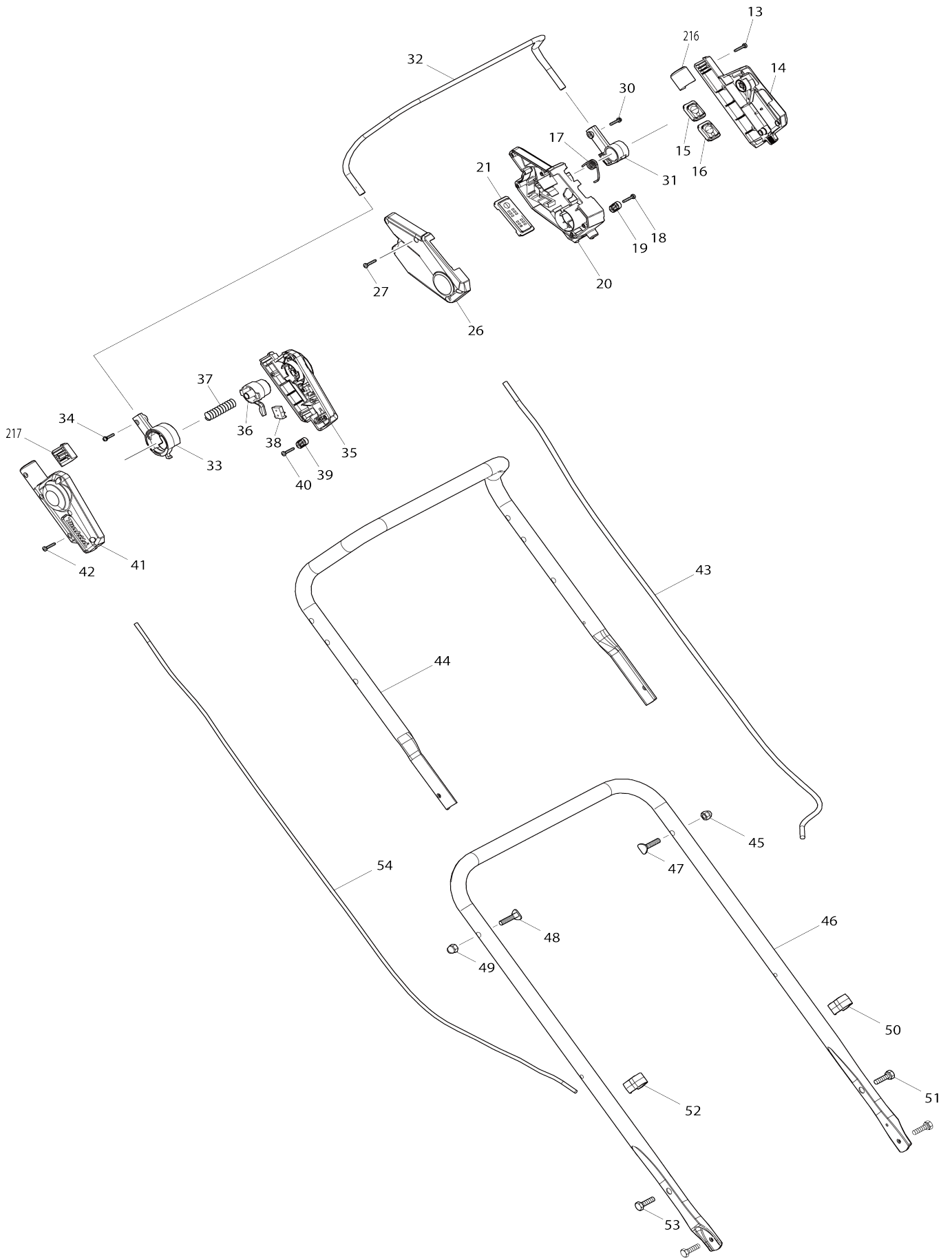
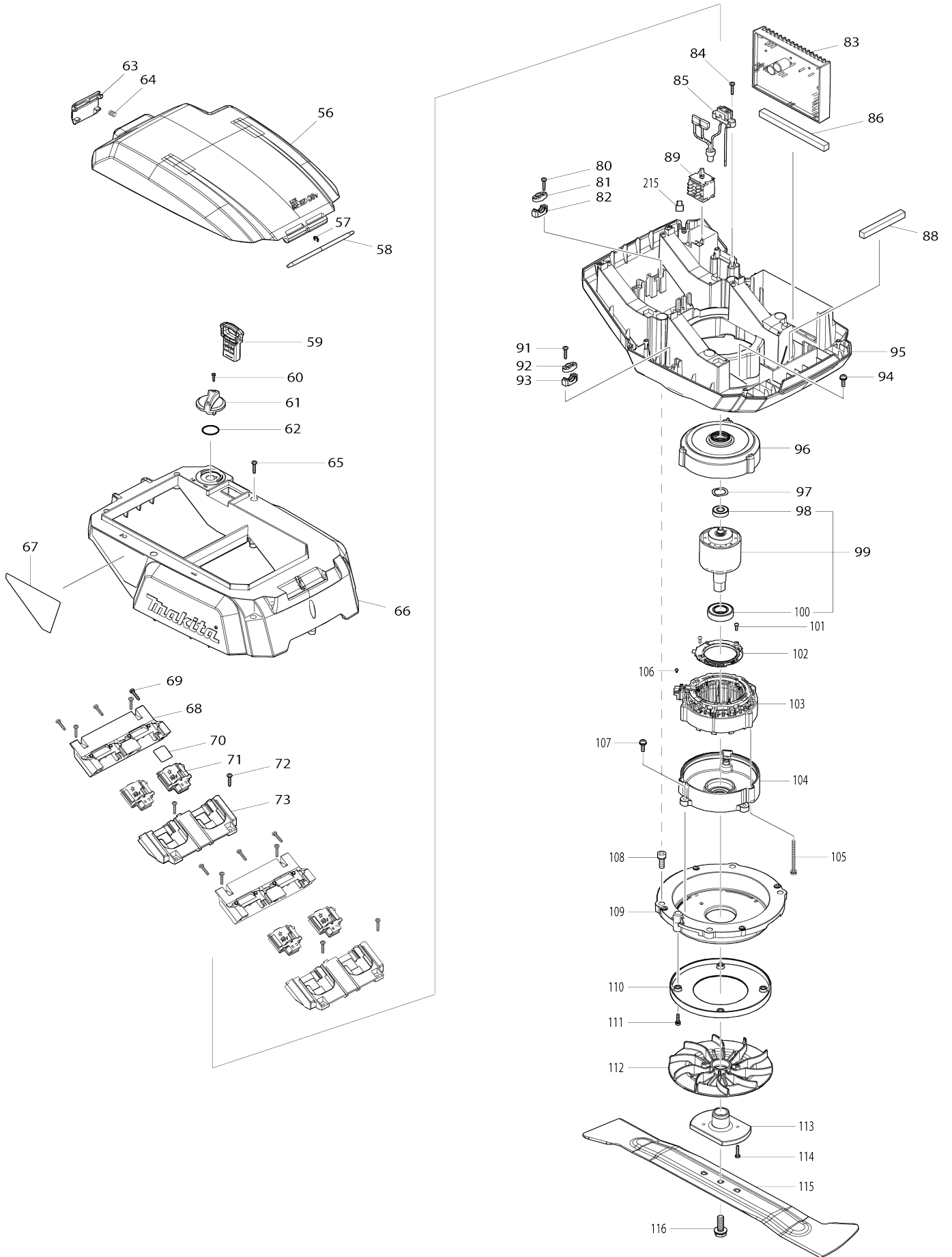


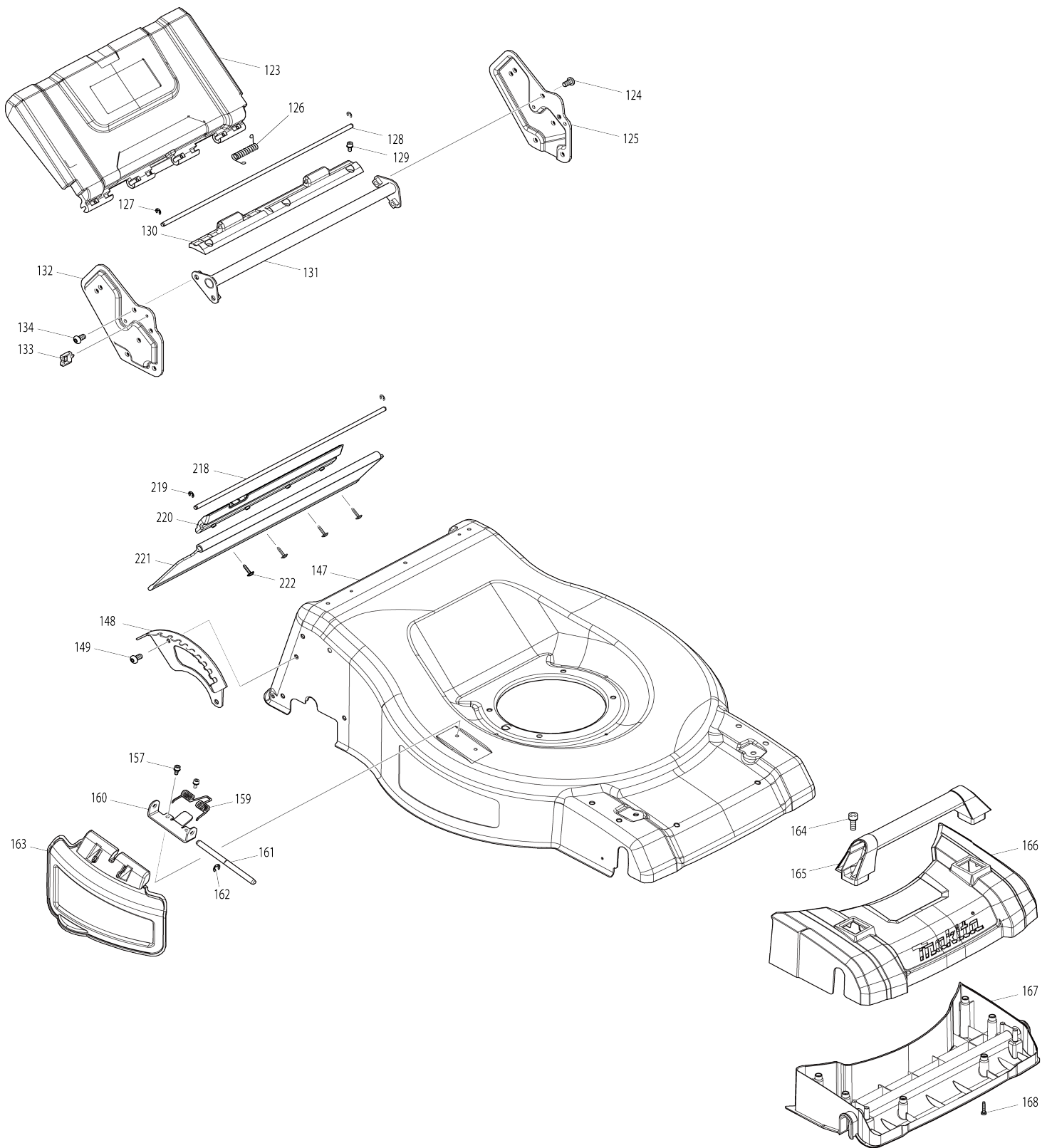
Model No.DLM530 530MM CORDLESS LAWN MOWER



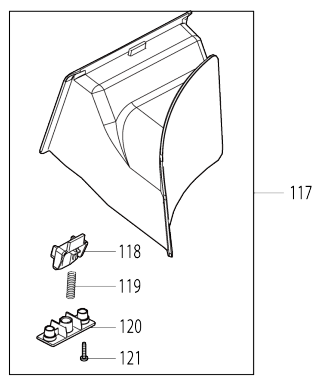
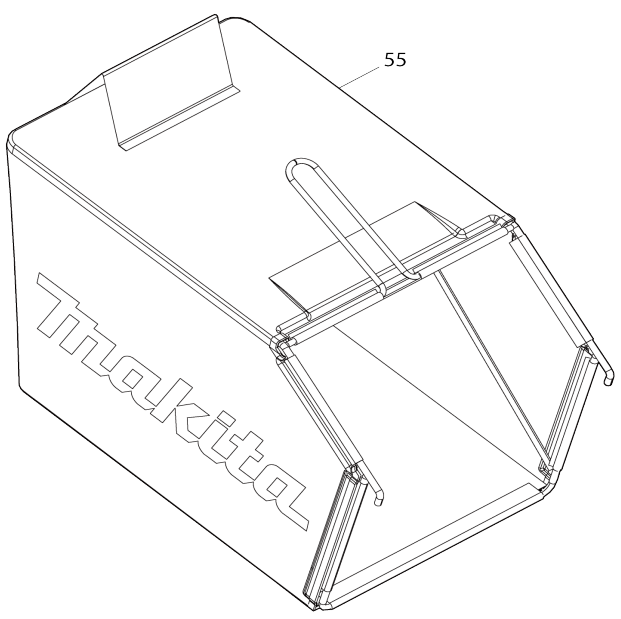
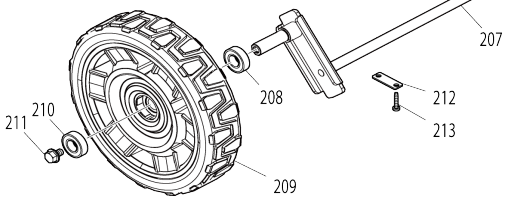
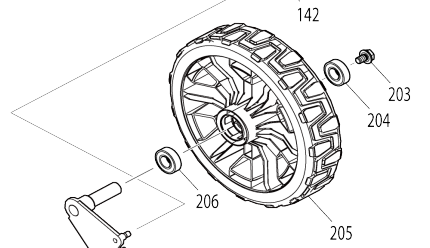
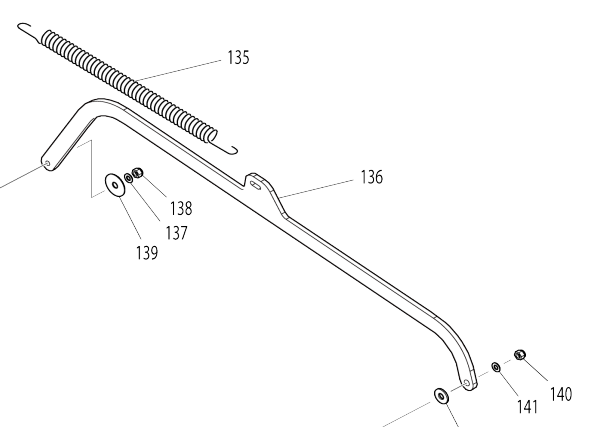
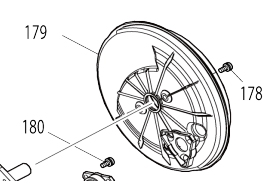
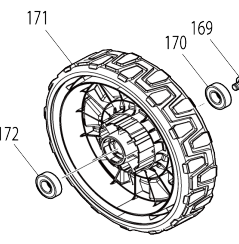
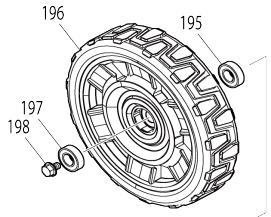
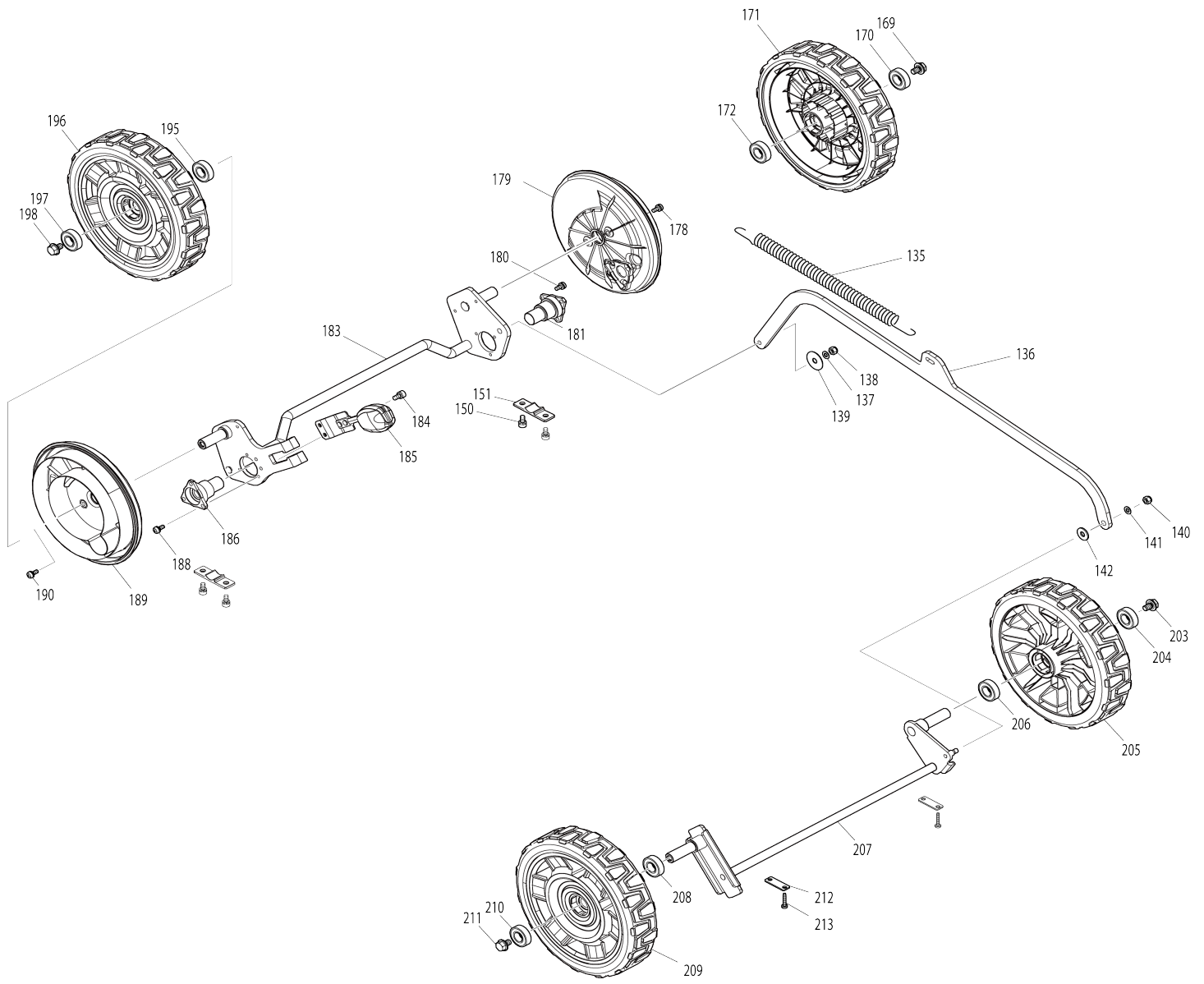
Model No.DLM530 530MM CORDLESS LAWN MOWER



Model No.DLM530 530MM CORDLESS LAWN MOWER



Model No.DLM530 530MM CORDLESS LAWN MOWER



Model No.DLM530 530MM CORDLESS LAWN MOWER

Item No.	Parts No.	Description	Interc hang eabilit y	Q'ty	New/ Old	Note1	Note2
013	266424-2	TAPPING SCREW 4X20		6			
014	183N81-4	SWITCH BOX SET		1			
D10		INC. 26					
015	140F09-7	SWITCH CIRCUIT COMPLETE		1			
C10	810D46-0	SWITCH LABEL		1			
016	140F10-2	SWITCH CIRCUIT COMPLETE		1			
C10	818A74-1	SWITCH LABEL		1			
017	232575-3	TORSION SPRING 12		1			
018	266424-2	TAPPING SCREW 4X20		2			
019	687124-5	STRAIN RELIEF		1			
020	459908-9	SWITCH BOX		1			
021	620C48-0	INDICATION CIRCUIT COMPLETE		1			
C10	8007C8-5	INDICATION LABEL		1			
026	183N81-4	SWITCH BOX SET		1			
D10		INC. 14					
027	266424-2	TAPPING SCREW 4X20		5			
030	911138-5	P.H.SCREW M4X20 WITH WR		1			
031	459863-5	SWITCH LEVER SUPPORT L		1			
C10	931102-0	HEX. NUT M4		1			
032	327424-8	SWITCH LEVER		1			
033	459856-2	SWITCH LEVER SUPPORT R		1			
C10	931102-0	HEX. NUT M4		1			
034	911138-5	P.H.SCREW M4X20 WITH WR		1			
035	183P40-0	LEVER BOX SET		1	*		
C10	8007C6-9	INDICATION LABEL		1	*		
D10		INC. 41					
035-1	183X73-3	LEVER BOX SET	O	1			
C10	8007C6-9	INDICATION LABEL		1			
D10		INC. 41					
036	459857-0	LOCK OFF BUTTON		1			
037	231227-3	COMPRESSION SPRING 15		1			
038	632E26-0	SWITCH UNIT		1			
039	687124-5	STRAIN RELIEF		1			
040	266424-2	TAPPING SCREW 4X20		2			
041	183P40-0	LEVER BOX SET		1	*		
C10	8007C6-9	INDICATION LABEL		1	*		
D10		INC. 35					
041-1	183X73-3	LEVER BOX SET	O	1			
C10	8007C6-9	INDICATION LABEL		1			
D10		INC. 35					
042	266424-2	TAPPING SCREW 4X20		6			
043	699144-7	POWER SUPPLY CORD UNIT		1			
044	327421-4	HANDLE UPPER		1			
045	252278-3	HEX. CAP NUT M8		1			
046	327422-2	HANDLE LOWER		1			
047	265A62-3	FLAT HEAD BOLT M8X38		1			
048	265A62-3	FLAT HEAD BOLT M8X38		1			

049	252278-3	HEX. CAP NUT M8		1		
050	459905-5	CLAMP		1		
051	921451-3	HEX. BOLT M8X30		2		
052	459905-5	CLAMP		1		
053	921451-3	HEX. BOLT M8X30		2		
054	699142-1	POWER SUPPLY CORD UNIT		1		
055	127412-3	GRASS CATCHER ASSEMBLY		1	*	
055-1	122B20-7	GRASS CATCHER ASSEMBLY	O	1		
C10	162976-0	GRASS CATCHER		1		
C20	327866-6	GRASS CATCHER BRACKET		1		
056	140S03-7	BATTERY COVER COMPLETE		1		
C10	890380-0	CAUTION LABEL		1		
057	961018-5	STOP RING E-5		1		
058	327536-7	ROD 6		1		
059	643535-4	KEY		1		
060	266404-8	TAPPING SCREW BIND 3X14		1		
061	459851-2	SWITCH LEVER		1		
062	213896-2	O-RING 24		1		
063	459852-0	LOCK LEVER		1		
064	231037-8	COMPRESSION SPRING 7		1		
065	266424-2	TAPPING SCREW 4X20		7		
066	459847-3	COWLING UPPER		1		
067	856P83-2	DLM530 NAME PLATE		1		
068	183N78-3	TERMINAL HOUSING SET		2		
C10	263005-3	RUBBER PIN 6		8		
D10		INC. 73				
069	266424-2	TAPPING SCREW 4X20		6		
070	856P90-5	DLM530 SERIAL NO. LABEL		1		
071	644809-6	TERMINAL		4		
072	266424-2	TAPPING SCREW 4X20		8		
073	183N78-3	TERMINAL HOUSING SET		2		
C10	263005-3	RUBBER PIN 6		8		
D10		INC. 68				
080	266424-2	TAPPING SCREW 4X20		2		
081	687124-5	STRAIN RELIEF		1		
082	687051-6	STRAIN RELIEF		1		
083	620C46-4	CONTROLLER		1		
084	266424-2	TAPPING SCREW 4X20		2		
085	632P74-5	LEAD UNIT		1		
086	422529-0	SPONGE B		1		
088	422528-2	SPONGE A		1		
089	651444-3	SWITCH 1703.4703		1		
091	266424-2	TAPPING SCREW 4X20		2		
092	687124-5	STRAIN RELIEF		1		
093	687051-6	STRAIN RELIEF		1		
094	911233-1	PAN HEAD SCREW M5X20		4		
095	459848-1	COWLING LOWER		1		
096	319869-4	MOTOR HOUSING UPPER		1		
097	253455-0	WAVE WASHER 19		1		
098	210141-6	BALL BEARING 6000DDW		1		
099	519606-8	ROTOR ASS'Y		1		
D10		INC. 98,100				

100	211387-7	BALL BEARING 6004LLU		1		
101	265B29-7	TAPPING SCREW PT 2X8		2		
102	620B88-2	CONTROLLER B		1		
103	629465-3	STATOR		1		
104	319870-9	MOTOR HOUSING LOWER		1		
105	911691-1	PAN HEAD SCREW M5X70		3		
106	652031-1	PAN HEAD SCREW M3X6		3		
107	911233-1	PAN HEAD SCREW M5X20		4		
108	922441-9	HEX. SOCKET HEAD BOLT M8X25		4		
109	319867-8	MOTOR BRACKET		1		
110	459853-8	BAFFLE PLATE		1		
111	911126-2	PAN HEAD SCREW M4X16		4		
112	240205-2	FAN 170		1		
113	319868-6	BLADE SUPPORT		1		
114	266424-2	TAPPING SCREW 4X20		2		
115	191D52-7	BLADE 530 SET		1	*	
115-1	191W87-2	BLADE 530 SET	O	1		
116	265A69-9	HEX. BOLT M10X35 WITH WG		1		
117	127516-1	MULCHING PLUG ASSEMBLY		1		
D10		INC. 118-121				
118	459884-7	LOCK LEVER		1		
119	231401-3	COMPRESSION SPRING 7		1		
120	459885-5	LOCK LEVER SUPPORT		1		
121	266424-2	TAPPING SCREW 4X20		2		
123	140R96-8	REAR FLAP COMPLETE		1		
C10	8007P8-6	CAUTION LABEL		1		
124	265B20-5	HEX.SOCKET BUTTON HEAD BOL T M8		4		
125	347579-3	HANDLE BRACKET L		1		
126	233597-6	TORSION SPRING 8		1		
127	961018-5	STOP RING E-5		2		
128	327418-3	ROD 6		1		
129	922213-2	H.S.H.BOLT M5X12 WITH WR		3		
130	459877-4	REAR FLAP HOLDER PLATE		1		
131	162692-4	REAR GRIP		1		
132	347578-5	HANDLE BRACKET R		1		
133	451825-9	CLAMP		1		
134	265B20-5	HEX.SOCKET BUTTON HEAD BOL T M8		4		
135	232628-8	TENSION SPRING 16		1		
136	347580-8	CONNECTING ROD		1		
137	941151-9	FLAT WASHER 6		1		
138	252014-7	HEX. LOCK NUT M6-10		1		
139	267216-2	FLAT WASHER 8		1		
140	252014-7	HEX. LOCK NUT M6-10		1		
141	941151-9	FLAT WASHER 6		1		
142	253762-1	FLAT WASHER 8		1		
147	347591-3	DECK		1		
148	347582-4	HEIGHT ADJUST PLATE		1		
149	265B20-5	HEX.SOCKET BUTTON HEAD BOL T M8		2		
150	922311-2	HEX. SOCKET HEAD BOLT M6X12		4		

151	313290-9	REAR SHAFT HOLDER COVER		2		
157	922213-2	H.S.H.BOLT M5X12 WITH WR		2		
159	232567-2	TORSION SPRING 9		1		
160	347584-0	SIDE DISCHARGE PLATE		1		
161	327420-6	ROD 8		1		
162	961013-5	STOP RING E-7		1		
163	459886-3	SIDE DISCHARGE COVER		1		
164	922441-9	HEX. SOCKET HEAD BOLT M8X25		2		
165	459870-8	FRONT GRIP		1		
166	459871-6	FRONT COVER		1		
167	459872-4	DECK UNDER COVER		1		
168	266424-2	TAPPING SCREW 4X20		6		
169	265324-3	HEX. FLANGE HEAD BOLT M8X12		1		
170	211247-3	BALL BEARING 6002DDW		1		
171	127513-7	REAR WHEEL ASSEMBLY		1		
172	211247-3	BALL BEARING 6002DDW		1		
178	911213-7	PAN HEAD SCREW M5X12		2		
179	459867-7	WHEEL CAP		1		
180	911213-7	PAN HEAD SCREW M5X12		3		
181	327435-3	REAR SHAFT HOLDER		1		
183	162689-3	REAR SHAFT		1		
184	922311-2	HEX. SOCKET HEAD BOLT M6X12		2		
185	162694-0	HEIGHT ADJUST LEVER COMPLETE		1		
186	327435-3	REAR SHAFT HOLDER		1	*	
186-1	313368-8	REAR SHAFT HOLDER R	S	1		
188	911213-7	PAN HEAD SCREW M5X12		3		
189	459867-7	WHEEL CAP		1		
190	911213-7	PAN HEAD SCREW M5X12		2		
195	211247-3	BALL BEARING 6002DDW		1		
196	127513-7	REAR WHEEL ASSEMBLY		1		
197	211247-3	BALL BEARING 6002DDW		1		
198	265324-3	HEX. FLANGE HEAD BOLT M8X12		1		
203	265324-3	HEX. FLANGE HEAD BOLT M8X12		1		
204	211247-3	BALL BEARING 6002DDW		1		
205	127514-5	FRONT WHEEL ASSEMBLY		1		
206	211247-3	BALL BEARING 6002DDW		1		
207	162688-5	FRONT SHAFT		1		
208	211247-3	BALL BEARING 6002DDW		1		
209	127514-5	FRONT WHEEL ASSEMBLY		1		
210	211247-3	BALL BEARING 6002DDW		1		
211	265324-3	HEX. FLANGE HEAD BOLT M8X12		1		
212	341462-6	PLATE		2		
213	266424-2	TAPPING SCREW 4X20		4		
215	422533-9	GROMMET		1		
216	459907-1	HANDLE COVER		1		
217	459907-1	HANDLE COVER		1		
224	961059-1	RETAINING RING (EXT) S-19	S	1		
A01	327589-6	ROD 6		1		
D10		COMPO-PARTS				
A05	197280-8	BATTERY BL1850B SET		2		
A02	782210-8	SOCKET WRENCH 17		1		

A03	782212-4	SOCKET WRENCH 13		1			
A04	459887-1	SIDE DISCHARGE MOUTH		1			
E01	8018P2-7	SOUND 93DB LABEL		1	*		
E01-1	800A17-7	SOUND 94DB LABEL	<	1	*		
E01-2	819V88-9	SOUND 95DB LABEL	<	1			
F01	191D48-8	SWING BACK BLADE 530 SET		1			
F02	191D50-1	SWING BACK BLADE 530 CPL. SET		1			
F03	191D52-7	BLADE 530 SET		1			

Please state Parts No. when your order.

Print Date 03/01/2024