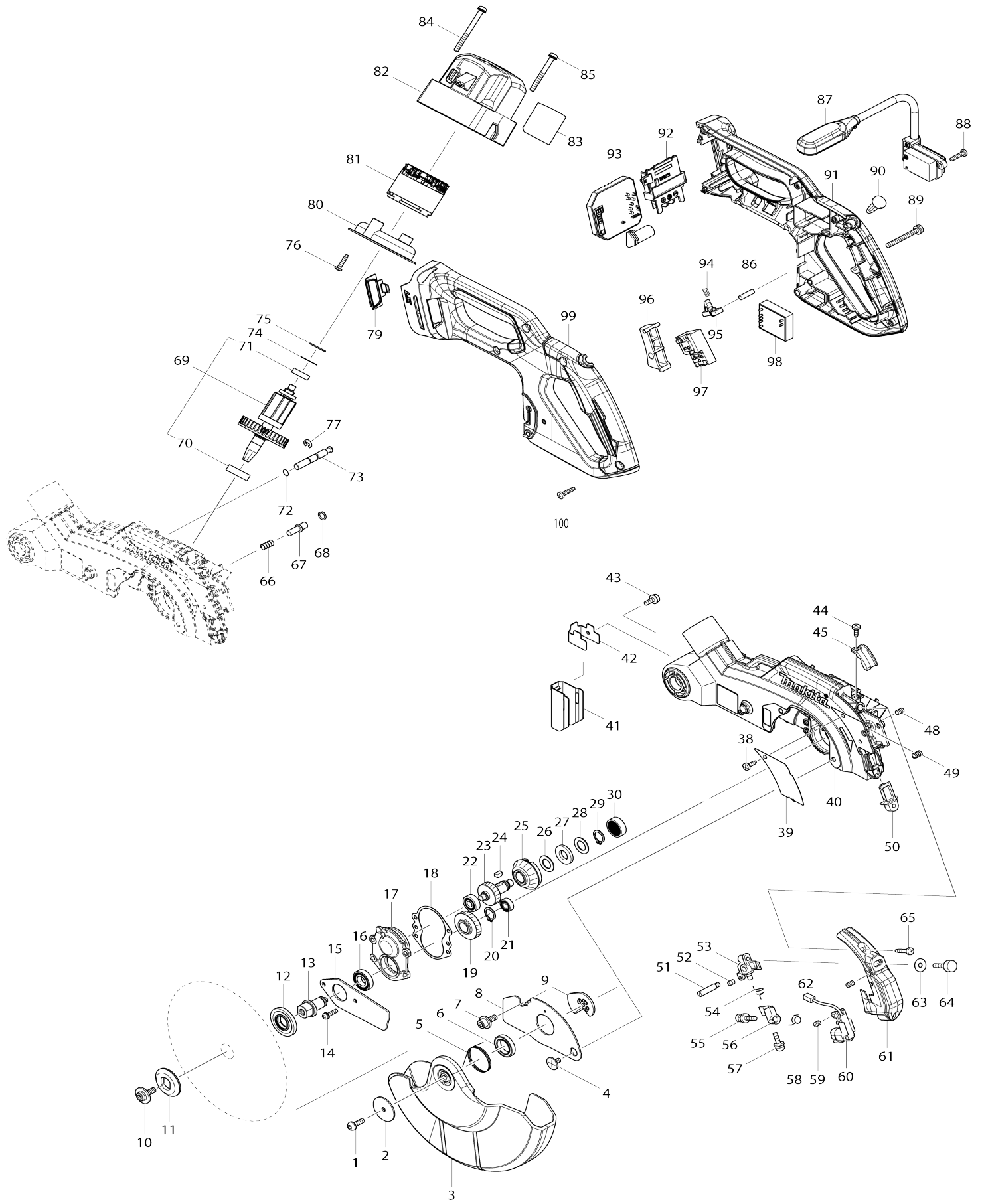
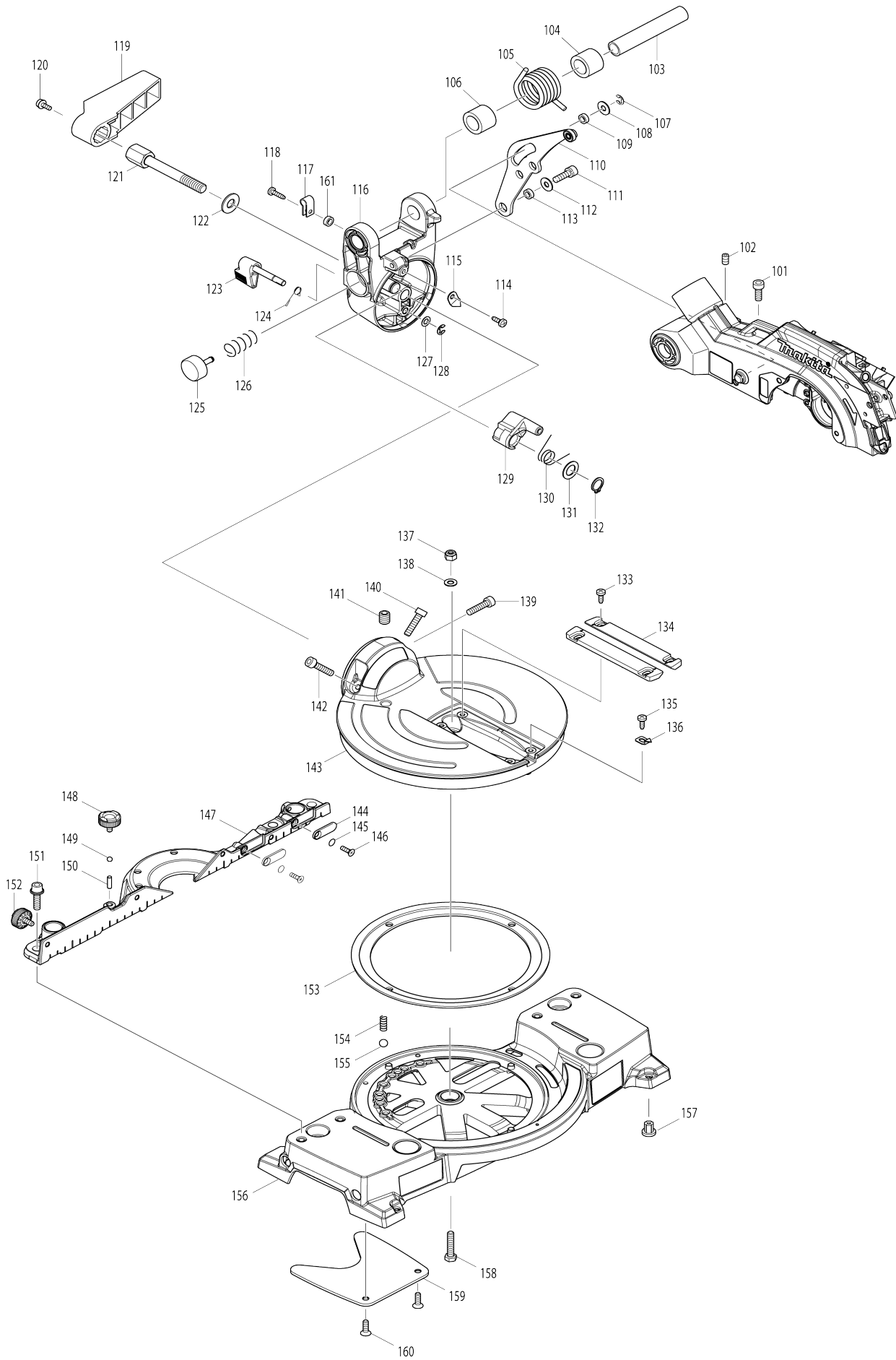


Model No.DLS600 165MM CORDLESS MITER SAW



Model No.DLS600 165MM CORDLESS MITER SAW



Model No.DLS600 165MM CORDLESS MITER SAW

Item No.	Parts No.	Description	Interchangability	Q'ty	New/Old	Note1	Note2
001	265491-4	H.S. BUTTON HEAD BOLT M5X16		1			
002	267136-0	FLAT WASHER 5		1			
003	458077-3	SAFETY COVER		1			
004	265008-3	+ FLAT HEAD SCREW M5		1			
005	232311-7	TORSION SPRING 30		1			
006	210150-5	BALL BEARING 6803DDW		1			
007	266732-1	HEX. SOCKET HEAD BOLT M6X16		1			
008	347060-4	CENTER COVER		1			
009	347059-9	CENTER PLATE		1			
010	266733-9	HEX. S.F.H. BOLT M6X16		1			
011	224405-2	OUTER FLANGE 35		1			
012	224593-5	INNER FLANGE 35		1			
013	325866-0	SPINDLE		1			
014	911128-8	P.H.SCREW M4X16 WITH WR		4			
015	347295-7	BEARING RETAINER		1			
016	211288-9	BALL BEARING 6901DDW		1			
017	318534-2	BEARING BOX		1			
018	442152-5	GASKET		1			
019	227727-9	HELICAL GEAR 39		1			
020	961052-5	RETAINING RING (EXT) S-12		1			
021	210006-2	BALL BEARING 696ZZ		1			
022	210017-7	BALL BEARING 607DDW		1			
023	227726-1	HELICAL GEAR 31		1			
024	254011-9	WOODRUFF KEY 4		1			
025	227565-9	SPIRAL BEVEL GEAR 35		1			
026	253744-3	FLAT WASHER 12		1			
027	261104-5	RUBBER WASHER 12		1			
028	253744-3	FLAT WASHER 12		1			
029	961052-5	RETAINING RING (EXT) S-12		1			
030	210005-4	BALL BEARING 608DDW		1			
038	266026-4	TAPPING SCREW BIND CT 4X12		1			
039	346171-2	COVER PLATE		1			
040	144796-4	BLADE CASE COMPLETE		1			
C10	263002-9	RUBBER PIN 4		4			
C20	263005-3	RUBBER PIN 6		1			
041	424870-7	GUARD		1			
042	347057-3	GUARD PLATE		1			
043	911113-1	PAN HEAD SCREW M4X10 WITH WR		1			
044	266026-4	TAPPING SCREW BIND CT 4X12		1			
045	458075-7	LEAD COVER		1			
048	266229-0	H.S.SET SCREW(CUP POINT)M5X8		1			
049	233471-8	COMPRESSION SPRING 6		1			
050	418104-8	LENS		1			
051	266306-8	SHOULDER SCREW M5		1			
052	266318-1	H.S.SET SCREW(FLAT POINT)M4X6		1			
053	419379-2	BLOCK C		1			

054	231664-1	TORSION SPRING 9		1		
055	911003-8	PAN HEAD SCREW M3X6		1		
056	419378-4	BLOCK B		1		
057	911003-8	PAN HEAD SCREW M3X6		1		
058	231664-1	TORSION SPRING 9		1		
059	266318-1	H.S.SET SCREW(FLAT POINT)M4X 6		1		
060	638442-4	LASER CIRCUIT COMPLETE		1		
061	140344-7	LASER COVER COMPLETE		1		
062	266229-0	H.S.SET SCREW(CUP POINT)M5X8		1		
063	253807-5	FLAT WASHER 5		1		
064	265753-0	THUMB SCREW M5X24		1		
065	266042-6	TAPPING SCREW BIND CT 4X20		2		
066	231240-1	COMPRESSION SPRING 7		1		
067	256633-1	PIN 6		1		
068	231928-3	RING SPRING 8		1		
069	519400-8	ROTOR ASSEMBLY		1		
D10		INC. 70,71				
070	211131-2	BALL BEARING 6001DDW		1		
071	210017-7	BALL BEARING 607DDW		1		
072	213021-5	O RING 5		1		
073	326769-1	STOPPER PIN		1		
074	253842-3	FLAT WASHER 14		1		
075	261153-2	URETHAN WASHER 15		1		
076	265995-6	TAPPING SCREW 4X18		2		
077	961018-5	STOP RING E-5		1		
079	144033-6	INDICATION PLATE COMPLETE		1		
080	456908-0	BAFFLE PLATE		1		
081	629215-6	STATOR		1	*	
081-1	629B61-9	STATOR	S	1		
082	456910-3	MOTOR HOUSING		1		
083	853T32-4	DLS600 NAME PLATE		1		
084	911278-9	PAN HEAD SCREW M5X55		2		
085	911268-2	PAN HEAD SCREW M5X45		2		
086	256123-4	PIN 5		1		
087	620558-9	LED CIRCUIT		1	*	
087-1	620C12-1	LED CIRCUIT	O	1		
088	265995-6	TAPPING SCREW 4X18		2		
089	911268-2	PAN HEAD SCREW M5X45		1		
090	417113-4	SWITCH BUTTON		1		
091	183E52-7	HANDLE SET		1		
C10	263005-3	RUBBER PIN 6		2		
D10		INC. 99				
092	643874-2	TERMINAL		1		
093	620761-2	CONTROLLER A		1	*	
093-1	620L27-2	CONTROLLER A	S	1		
094	231026-3	COMPRESSION SPRING 4		1		
095	416533-9	LOCK OFF LEVER		1		
096	452130-7	SWITCH LEVER		1		
097	650705-8	SWITCH TG73BDS-1		1		
098	620551-3	POWER SUPPLY CIRCUIT		1		
099	183E52-7	HANDLE SET		1		

C10	263005-3	RUBBER PIN 6		2		
D10		INC. 91				
100	265995-6	TAPPING SCREW 4X18		6		
101	266757-5	HEX. SOCKET HEAD BOLT M6X16		1		
102	251961-9	H.S.SET SCREW(FLAT POINT)M6X10		1		
103	331350-5	PIN 16-90		1		
104	416535-5	SLEEVE 17		1		
105	232310-9	TORSION SPRING 28		1		
106	416535-5	SLEEVE 17		1		
107	961018-5	STOP RING E-5		1		
108	253804-1	FLAT WASHER 6		1		
109	257163-5	RING 6		1		
110	144791-4	LINK PLATE COMPLETE		1		
111	922331-6	HEX. SOCKET HEAD BOLT M6X20		1		
112	253804-1	FLAT WASHER 6		1		
113	257163-5	RING 6		1		
114	266026-4	TAPPING SCREW BIND CT 4X12		1		
115	347058-1	INDICATION PLATE		1	*	
115-1	458646-0	INDICATION PLATE	O	1		
116	144795-6	ARM COMPLETE		1		
C10	816438-7	OPERATIONAL INDICATION LABEL		1		
117	687045-1	STRAIN RELIEF		1		
118	266034-5	TAPPING SCREW CT 4X16		1		
119	416006-2	LEVER 100		1		
120	911113-1	PAN HEAD SCREW M4X10 WITH WR		1		
121	251495-2	HEX. BOLT M10		1		
122	253024-7	FLAT WASHER 10		1		
123	272266-4	LEVER 25		1		
124	233563-3	TORSION SPRING 8		1		
125	415208-7	RELEASE BUTTON		1		
126	233031-6	COMPRESSION SPRING 12		1		
127	253726-5	FLAT WASHER 6		1		
128	961018-5	STOP RING E-5		1		
129	318533-4	STOPPER		1		
130	231646-3	TORSION SPRING 14		1		
131	253744-3	FLAT WASHER 12		1		
132	961052-5	RETAINING RING (EXT) S-12		1		
133	266026-4	TAPPING SCREW BIND CT 4X12		4		
134	456907-2	KERF BOARD		2		
135	266026-4	TAPPING SCREW BIND CT 4X12		1		
136	816128-2	POINTER		1		
137	252014-7	HEX. LOCK NUT M6-10		1		
138	941151-9	FLAT WASHER 6		1		
139	251582-7	HEX SOCKET HEAD BOLT M6X25		1		
140	251582-7	HEX SOCKET HEAD BOLT M6X25		1		
141	251966-9	H.S.SET SCREW(FLATPOINT)M10X12		1		
142	251582-7	HEX SOCKET HEAD BOLT M6X25		1		
143	144028-9	TURN BASE COMPLETE		1		
144	346169-9	FENCE PLATE		2		

145	213021-5	O RING 5		2		
146	265156-8	+COUNTERSUNK HEAD SCREW M		2		
147	319646-4	GUIDE FENCE		1		
148	265785-7	THUMB SCREW M5X10		1		
149	216008-6	STEEL BALL 4		1		
150	256034-3	PIN 4		1		
151	922344-7	H.S.H.BOLT M6X25 WITH WG		4		
152	265785-7	THUMB SCREW M5X10		1		
153	450138-5	SLIDE PLATE		1		
154	231038-6	COMPRESSION SPRING 6		1		
155	216004-4	STEEL BALL 7.9		1		
156	144792-2	BASE COMPLETE		1		
C10	809V03-1	MITER SCALE PLATE		1		
C20	813L22-1	CAUTION LABEL		2		
C30	810486-8	CAUTION LABEL		1		
C40	810064-4	LASER BEAM CAUTION LABEL		1		
157	286255-3	CAP 13		4	*	
157-1	286044-6	CAP 13	O	4		
158	921352-5	HEX. BOLT M6X30		1		
159	144034-4	SUB PLATE COMPLETE		1		
160	912222-9	COUNTERSUNK HEAD SCREW M5 X16		2		
161	257163-5	RING 6		1		
162	620K37-3	CONTROLLER B	S	1		
163	652119-7	PAN HEAD SCREW M2X6	S	6		
A01	122940-3	VICE ASS'Y		1		
C10	251887-5	SCREW M6X10		1		
C20	326006-3	WISE ROD		1		
C30	265733-6	THUMB SCREW M10X60		1		
C40	316938-2	WISE ARM		1		
C50	253804-1	FLAT WASHER 6		1		
C60	343651-9	WISE PLATE		1		
C70	251370-2	+ PAN HEAD SCREW M5		1		
A02	122884-7	DUST BAG ASSEMBLY		1		
C10	410602-8	FASTENER		1		
A03	762001-3	TRIANGULAR RULE		1		
A04	783208-8	HEX. WRENCH 2.5		1		
A05	783203-8	HEX. WRENCH 5		1		
A06	126695-2	SUB FENCE ASSEMBLY		1		
A07	B-56487	TCT SAW BLADE 165X20X64T WO OD		1		

Please state Parts No. when your order.

Print Date 02/23/2024