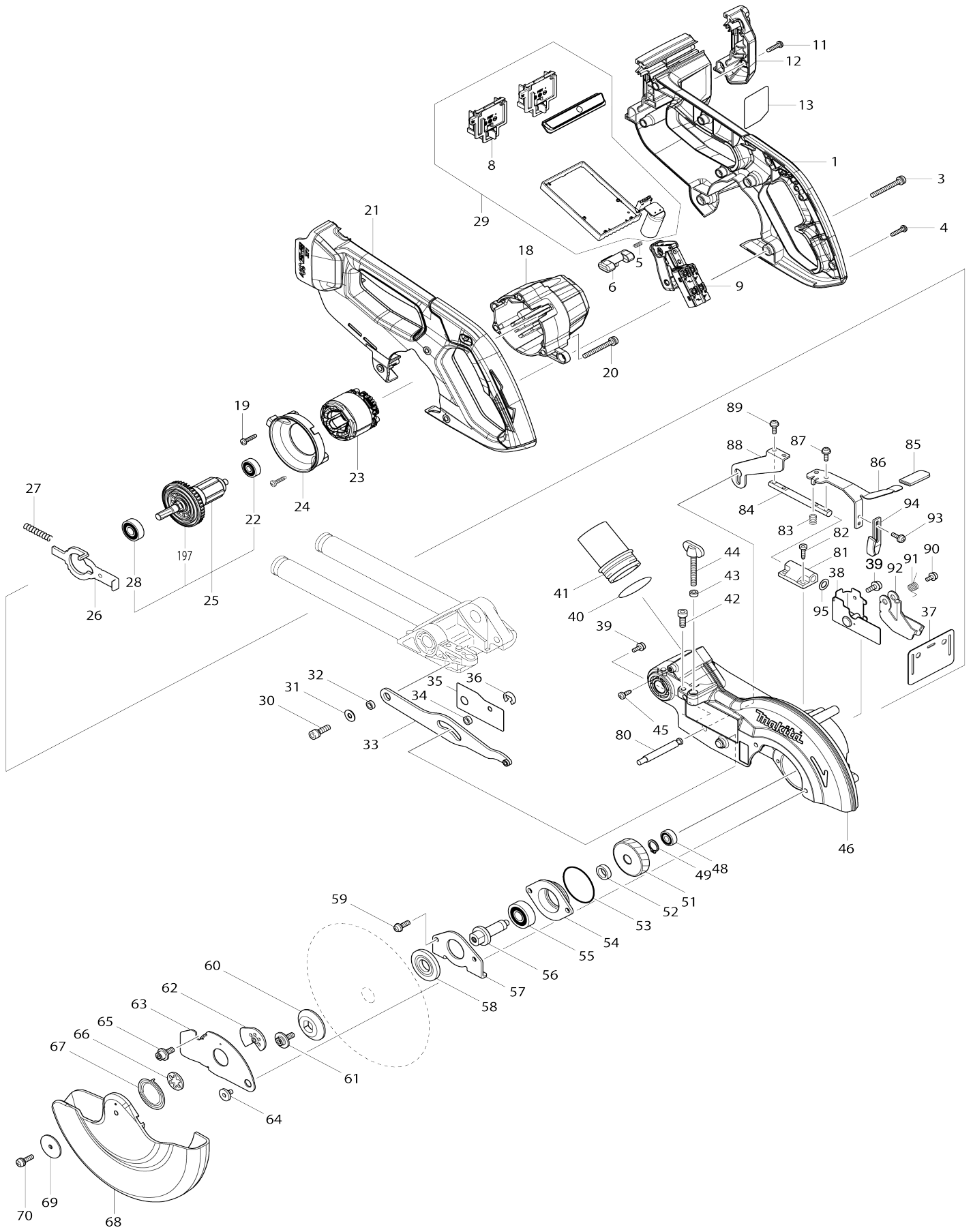
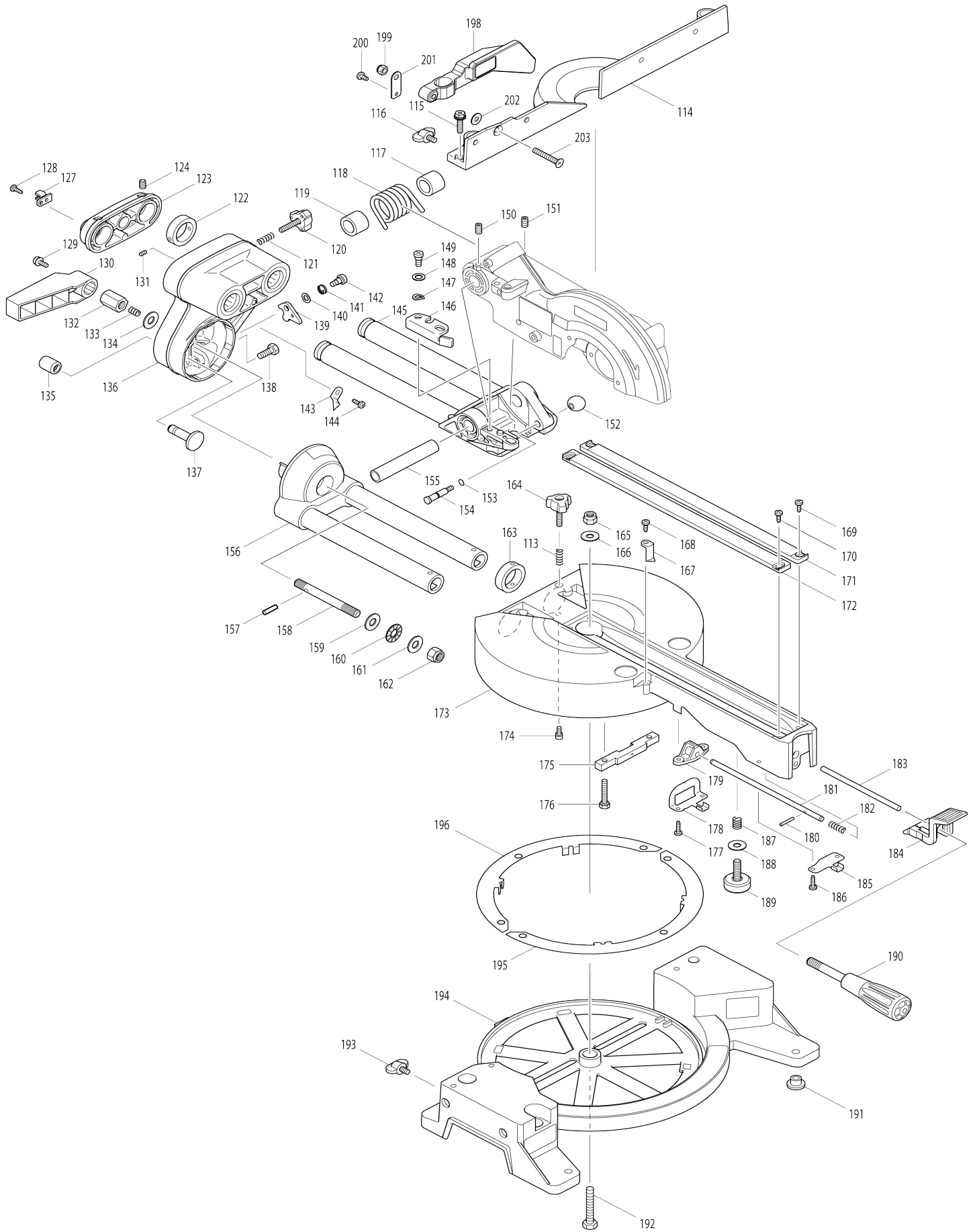


Model No.DLS714 DC SLIDE COMPOUND MITER SAW



Model No. DLS714 DC SLIDE COMPOUND MITER SAW



Model No.DLS714 DC SLIDE COMPOUND MITER SAW

| Item No. | Parts No. | Description | Interchangeability | Q'ty | New/Old | Note1 | Note2 |
|----------|-----------|-----------------------------|--------------------|------|---------|-------|-------|
| 001 | 183B55-3 | HANDLE SET | | 1 | | | |
| D10 | | INC. 21 | | | | | |
| 003 | 911268-2 | PAN HEAD SCREW M5X45 | | 3 | | | |
| 004 | 265995-6 | TAPPING SCREW 4X18 | | 6 | * | | |
| 004-1 | 265A48-7 | TAPPING SCREW 4X18 | O | 6 | | | |
| 005 | 231397-8 | COMPRESSION SPRING 4 | | 1 | | | |
| 006 | 456024-8 | LOCK OFF BUTTON | | 1 | | | |
| 008 | 644808-8 | TERMINAL | | 2 | | | |
| 009 | 650756-1 | SWITCH 1269.0808 | | 1 | | | |
| 011 | 265995-6 | TAPPING SCREW 4X18 | | 3 | * | | |
| 011-1 | 265A48-7 | TAPPING SCREW 4X18 | O | 3 | | | |
| 012 | 143268-6 | HANDLE COVER COMPLETE | | 1 | | | |
| C10 | 263005-3 | RUBBER PIN 6 | | 1 | | | |
| 013 | 851E60-3 | DLS714 NAME PLATE | | 1 | | | |
| 018 | 456022-2 | MOTOR HOUSING | | 1 | | | |
| 019 | 265995-6 | TAPPING SCREW 4X18 | | 2 | * | | |
| 019-1 | 265A48-7 | TAPPING SCREW 4X18 | O | 2 | | | |
| 020 | 911268-2 | PAN HEAD SCREW M5X45 | | 3 | | | |
| 021 | 183B55-3 | HANDLE SET | | 1 | | | |
| D10 | | INC. 1 | | | | | |
| 022 | 210017-7 | BALL BEARING 607DDW | | 1 | | | |
| 023 | 629157-4 | STATOR | | 1 | * | | |
| 023-1 | 629B69-3 | STATOR | S | 1 | | | |
| 024 | 456023-0 | BAFFLE PLATE | | 1 | | | |
| 025 | 519373-5 | ROTOR ASS'Y | | 1 | * | | |
| D10 | | INC. 22,28,197 | | | | | |
| 025-1 | 519373-5 | ROTOR ASS'Y | O | 1 | * | | |
| D10 | | INC. 22,28,197 | | | | | |
| 025-2 | 519700-6 | ROTOR ASS'Y | O | 1 | | | |
| D10 | | INC. 22,28,197 | | | | | |
| 026 | 344681-3 | SHAFT LOCK | | 1 | | | |
| 027 | 233092-6 | COMPRESSION SPRING 5 | | 1 | | | |
| 028 | 211092-6 | BALL BEARING 629DDW | | 1 | | | |
| 029 | 143291-1 | CONTROLLER COMPLETE | | 1 | * | | |
| D10 | | INC. 8 | | | | | |
| 029-1 | 140B40-9 | CONTROLLER COMPLETE | < | 1 | * | | |
| D10 | | INC. 8 | | | | | |
| 029-2 | 141G76-1 | CONTROLLER COMPLETE | < | 1 | * | | |
| D10 | | INC. 8 | | | | | |
| 029-3 | 141P88-8 | CONTROLLER COMPLETE | S | 1 | | | |
| D10 | | INC. 8 | | | | | |
| 030 | 922331-6 | HEX. SOCKET HEAD BOLT M6X20 | | 1 | | | |
| 031 | 253804-1 | FLAT WASHER 6 | | 1 | | | |
| 032 | 257163-5 | RING 6 | | 1 | | | |
| 033 | 154643-1 | LINK PLATE COMPLETE | | 1 | | | |
| 034 | 257163-5 | RING 6 | | 1 | | | |
| 035 | 346330-8 | LINK COVER | | 1 | | | |

| | | | | | | |
|-----|----------|------------------------------|--|---|--|--|
| 036 | 961018-5 | STOP RING E-5 | | 1 | | |
| 037 | 421626-9 | GUARD | | 1 | | |
| 038 | 165414-1 | GUARD PLATE COMPLETE | | 1 | | |
| 039 | 911113-1 | PAN HEAD SCREW M4X10 WITH WR | | 1 | | |
| 040 | 213460-9 | O RING 35 | | 1 | | |
| 041 | 419277-0 | DUST NOZZLE | | 1 | | |
| 042 | 266757-5 | HEX. SOCKET HEAD BOLT M6X16 | | 1 | | |
| 043 | 262001-8 | URETHANE RING 5 | | 1 | | |
| 044 | 265717-4 | SCREW M6X43 | | 1 | | |
| 045 | 266026-4 | TAPPING SCREW BIND CT 4X12 | | 1 | | |
| 046 | 143350-1 | BLADE CASE COMPLETE | | 1 | | |
| C10 | 263002-9 | RUBBER PIN 4 | | 1 | | |
| C20 | 263005-3 | RUBBER PIN 6 | | 1 | | |
| 048 | 210017-7 | BALL BEARING 607DDW | | 1 | | |
| 049 | 961052-5 | RETAINING RING (EXT) S-12 | | 1 | | |
| 051 | 227810-2 | HELICAL GEAR 53 | | 1 | | |
| 052 | 257088-3 | RING 12 | | 1 | | |
| 053 | 213623-7 | O RING 46 | | 1 | | |
| 054 | 317193-9 | BEARING BOX | | 1 | | |
| 055 | 211129-9 | BALL BEARING 6201DDW | | 1 | | |
| 056 | 323798-5 | SPINDLE | | 1 | | |
| 057 | 285736-4 | BEARING RETAINER 58 | | 1 | | |
| 058 | 224370-5 | INNER FLANGE 40 | | 1 | | |
| 059 | 911223-4 | PAN HEAD SCREW M5X16 | | 2 | | |
| 060 | 224275-9 | OUTER FLANGE 40 | | 1 | | |
| 061 | 266733-9 | HEX. S.F.H. BOLT M6X16 | | 1 | | |
| 062 | 345585-2 | CENTER PLATE | | 1 | | |
| 063 | 346232-8 | CENTER COVER | | 1 | | |
| 064 | 265985-9 | HEX.SOCKET HEAD BOLT M6 | | 1 | | |
| 065 | 266732-1 | HEX. SOCKET HEAD BOLT M6X16 | | 1 | | |
| 066 | 345589-4 | CENTER WASHER | | 1 | | |
| 067 | 231934-8 | SPIRAL SPRING 26 | | 1 | | |
| 068 | 453298-2 | SAFETY COVER | | 1 | | |
| 069 | 267136-0 | FLAT WASHER 5 | | 1 | | |
| 070 | 265491-4 | H.S. BUTTON HEAD BOLT M5X16 | | 1 | | |
| 080 | 324455-8 | LOCK PIN | | 1 | | |
| 081 | 452134-9 | ROD HOLDER | | 1 | | |
| 082 | 266034-5 | TAPPING SCREW CT 4X16 | | 2 | | |
| 083 | 231316-4 | COMPRESSION SPRING 7 | | 1 | | |
| 084 | 325980-2 | ROD 8 | | 1 | | |
| 085 | 421589-9 | CAP | | 1 | | |
| 086 | 346320-1 | LOCK LEVER | | 1 | | |
| 087 | 911113-1 | PAN HEAD SCREW M4X10 WITH WR | | 2 | | |
| 088 | 346322-7 | LOCK PLATE | | 1 | | |
| 089 | 911113-1 | PAN HEAD SCREW M4X10 WITH WR | | 2 | | |
| 090 | 911114-9 | PAN HEAD SCREW M4X10 | | 1 | | |
| 091 | 231690-0 | TORSION SPRING 8 | | 1 | | |
| 092 | 346550-4 | GUARD | | 1 | | |
| 093 | 911113-1 | PAN HEAD SCREW M4X10 WITH WR | | 2 | | |

| | | | | | | |
|-----|----------|---------------------------------|--|---|--|--|
| 094 | 346321-9 | SUB LEVER | | 1 | | |
| 095 | 253215-0 | FLAT WASHER 8 | | 1 | | |
| 113 | 231325-3 | COMPRESSION SPRING 6 | | 1 | | |
| 114 | 319193-5 | GUIDE FENCE | | 1 | | |
| 115 | 922344-7 | H.S.H.BOLT M6X25 WITH WG | | 3 | | |
| 116 | 251887-5 | SCREW M6X10 | | 1 | | |
| 117 | 416535-5 | SLEEVE 17 | | 1 | | |
| 118 | 233520-1 | TORSION SPRING 28 | | 1 | | |
| 119 | 416535-5 | SLEEVE 17 | | 1 | | |
| 120 | 265790-4 | THUMB SCREW M6X28 | | 1 | | |
| 121 | 231325-3 | COMPRESSION SPRING 6 | | 1 | | |
| 122 | 257214-4 | RING 26 | | 1 | | |
| 123 | 318651-8 | PIPE HOLDER | | 1 | | |
| 124 | 266208-8 | H.S.SET SCREW(CUP POINT)M6X8 | | 2 | | |
| 127 | 687045-1 | STRAIN RELIEF | | 1 | | |
| 128 | 266026-4 | TAPPING SCREW BIND CT 4X12 | | 1 | | |
| 129 | 911113-1 | PAN HEAD SCREW M4X10 WITH WR | | 1 | | |
| 130 | 416006-2 | LEVER 100 | | 1 | | |
| 131 | 913106-4 | SET SCREW M4X8 | | 1 | | |
| 132 | 252144-4 | HEX. NUT M10-17 | | 1 | | |
| 133 | 231266-3 | COMPRESSION SPRING 5 | | 1 | | |
| 134 | 253024-7 | FLAT WASHER 10 | | 1 | | |
| 135 | 286236-7 | CAP 16 | | 1 | | |
| 136 | 140609-7 | ARM COMPLETE | | 1 | | |
| C10 | 211376-2 | LINEAR BALL BEARING 2560 | | 2 | | |
| C20 | 262077-5 | FELT RING 25 | | 4 | | |
| C30 | 263005-3 | RUBBER PIN 6 | | 2 | | |
| C40 | 344638-4 | CAP 35 | | 2 | | |
| 137 | 324295-4 | RELEASE PIN | | 1 | | |
| 138 | 266757-5 | HEX. SOCKET HEAD BOLT M6X16 | | 2 | | |
| 139 | 345299-3 | STOPPER PLATE | | 1 | | |
| 140 | 253726-5 | FLAT WASHER 6 | | 1 | | |
| 141 | 231663-3 | TORSION SPRING 8 | | 1 | | |
| 142 | 265113-6 | +PAN HEAD SCREW M5 | | 1 | | |
| 143 | 343678-9 | POINTER | | 1 | | |
| 144 | 266026-4 | TAPPING SCREW BIND CT 4X12 | | 1 | | |
| 145 | 140608-9 | FRONT ARM COMPLETE | | 1 | | |
| 146 | 344643-1 | STOPPER ARM | | 1 | | |
| 147 | 253948-7 | WAVE WASHER 8 | | 1 | | |
| 148 | 253835-0 | FLAT WASHER 8 | | 1 | | |
| 149 | 251267-5 | + PAN HEAD SCREW M6 | | 1 | | |
| 150 | 251961-9 | H.S.SET SCREW(FLAT POINT)M6X 10 | | 1 | | |
| 151 | 251961-9 | H.S.SET SCREW(FLAT POINT)M6X 10 | | 1 | | |
| 152 | 271601-3 | KNOB 20 | | 1 | | |
| 153 | 213021-5 | O RING 5 | | 1 | | |
| 154 | 324183-5 | STOPPER PIN | | 1 | | |
| 155 | 331350-5 | PIN 16-90 | | 1 | | |
| 156 | 140610-2 | ARM HOLDER COMPLETE | | 1 | | |
| C10 | 816392-5 | BEVEL SCALE LABEL | | 1 | | |
| | | | | | | |

| | | | | | | |
|-------|----------|-----------------------------|---|---|---|--|
| 157 | 256123-4 | PIN 5 | | 1 | | |
| 158 | 266320-4 | SCREW M10 | | 1 | | |
| 159 | 253024-7 | FLAT WASHER 10 | | 1 | | |
| 160 | 216413-7 | THRUST NEEDLE CAGE 1024 | | 1 | | |
| 161 | 253024-7 | FLAT WASHER 10 | | 1 | | |
| 162 | 252130-5 | HEX. LOCK NUT M10-17 | | 1 | | |
| 163 | 257214-4 | RING 26 | | 1 | | |
| 164 | 265790-4 | THUMB SCREW M6X28 | | 1 | | |
| 165 | 252105-4 | HEX. LOCK NUT M8-13 | | 1 | | |
| 166 | 253731-2 | FLAT WASHER 8 | | 1 | | |
| 167 | 416355-7 | INDICATION PLATE | | 1 | | |
| 168 | 266026-4 | TAPPING SCREW BIND CT 4X12 | | 1 | | |
| 169 | 266026-4 | TAPPING SCREW BIND CT 4X12 | | 2 | | |
| 170 | 266026-4 | TAPPING SCREW BIND CT 4X12 | | 2 | | |
| 171 | 419103-3 | KERF BOARD | | 1 | | |
| 172 | 419103-3 | KERF BOARD | | 1 | | |
| 173 | 140614-4 | TURN BASE COMPLETE | | 1 | | |
| C10 | 211376-2 | LINEAR BALL BEARING 2560 | | 2 | | |
| C20 | 262077-5 | FELT RING 25 | | 4 | | |
| C30 | 263005-3 | RUBBER PIN 6 | | 1 | | |
| C40 | 344638-4 | CAP 35 | | 2 | | |
| C50 | 810495-7 | CAUTION LABEL | | 1 | | |
| C60 | 817283-3 | CAUTION LABEL | | 2 | * | |
| C61 | 813L22-1 | CAUTION LABEL | < | 2 | | |
| 174 | 922111-0 | HEX. SOCKET HEAD BOLT M4X10 | | 1 | | |
| 175 | 153580-6 | SQUARE ROD COMPLETE | | 1 | | |
| C10 | 263005-3 | RUBBER PIN 6 | | 1 | | |
| 176 | 925251-3 | HEX.BOLT M5X30 | | 2 | | |
| 177 | 266034-5 | TAPPING SCREW CT 4X16 | | 2 | | |
| 178 | 344601-7 | LOCK PLATE | | 1 | | |
| 179 | 317616-7 | PIN HOLDER | | 1 | | |
| 180 | 256158-5 | PIN 3 | | 1 | | |
| 181 | 324288-1 | LOCK PIN | | 1 | | |
| 182 | 231325-3 | COMPRESSION SPRING 6 | | 1 | | |
| 183 | 324289-9 | ROD 6 | | 1 | | |
| 184 | 416450-3 | LOCK LEVER | | 1 | | |
| 185 | 345272-3 | LOCK LEVER PLATE | | 1 | | |
| 186 | 266034-5 | TAPPING SCREW CT 4X16 | | 2 | | |
| 187 | 231418-6 | COMPRESSION SPRING 9 | | 1 | | |
| 188 | 253731-2 | FLAT WASHER 8 | | 1 | | |
| 189 | 266432-3 | ADJUST BOLT M8X27 | | 1 | | |
| 190 | 273658-0 | GRIP 32 | | 1 | | |
| 191 | 286212-1 | CAP 20 | | 5 | | |
| 192 | 921472-5 | HEX. BOLT M8X50 | | 1 | | |
| 193 | 251887-5 | SCREW M6X10 | | 2 | * | |
| 193-1 | 911318-3 | P.H.SCREW M6X14 WITH WR | < | 2 | | |
| 194 | 140612-8 | BASE COMPLETE | | 1 | | |
| C10 | 816339-9 | MITER SCALE PLATE | | 1 | | |
| C20 | 810486-8 | CAUTION LABEL | | 1 | | |
| 195 | 344646-5 | SLIDE PLATE | | 1 | | |
| 196 | 344646-5 | SLIDE PLATE | | 1 | | |
| 197 | 240033-5 | FAN 57 | | 1 | | |

| | | | | | | |
|-------|----------|-------------------------------|---|---|---|--|
| 198 | 142811-8 | SUB FENCE COMPLETE | | 1 | | |
| C10 | 805R08-5 | CAUTION LABEL | | 1 | | |
| 199 | 252014-7 | HEX. LOCK NUT M6-10 | | 1 | | |
| 200 | 266061-2 | TAPPING SCREW BIND CT 4X8 | | 1 | | |
| 201 | 345359-1 | SUB FENCE PLATE | | 1 | | |
| 202 | 253804-1 | FLAT WASHER 6 | | 1 | | |
| 203 | 912357-6 | COUNTERSUNK HEAD SCREW M6 X35 | | 1 | | |
| 204 | 620K96-7 | CONTROLLER B | S | 1 | | |
| 205 | 652119-7 | PAN HEAD SCREW M2X6 | S | 6 | | |
| A01 | 122571-8 | VICE ASS'Y | | 1 | | |
| C10 | 316938-2 | WISE ARM | | 1 | | |
| C20 | 251887-5 | SCREW M6X10 | | 1 | | |
| C30 | 322313-2 | WISE ROD | | 1 | | |
| C40 | 265733-6 | THUMB SCREW M10X60 | | 1 | | |
| C50 | 253804-1 | FLAT WASHER 6 | | 1 | | |
| C60 | 343651-9 | WISE PLATE | | 1 | | |
| C70 | 251370-2 | + PAN HEAD SCREW M5 | | 1 | | |
| A02 | 122852-0 | DUST BAG ASS'Y | | 1 | | |
| C10 | 410602-8 | FASTENER | | 1 | | |
| A03 | 762001-3 | TRIANGULAR RULE | | 1 | | |
| A04 | 322312-4 | HOLDER | | 2 | | |
| A05 | 783203-8 | HEX. WRENCH 5 | | 1 | | |
| A06 | B-04298 | TCT SAW BLADE 190X20X24T | | 1 | * | |
| A06-1 | B-03850 | T.C.T.SAW BLADE 190X20X24 | < | 1 | | |
| F04-1 | 198688-9 | STAND SET | < | 1 | | |
| F34-2 | 198687-1 | STAND SET | < | 1 | | |
| F37-2 | 197267-0 | BATTERY BL1840B SET | O | 1 | | |
| F38-2 | 197267-0 | BATTERY BL1840B SET | O | 1 | | |
| F39-2 | 197265-4 | BATTERY BL1840B SET | O | 1 | | |
| F40-2 | 197265-4 | BATTERY BL1840B SET | O | 1 | | |
| F42-2 | 197273-5 | BATTERY BL1840B SET(2PIECES) | O | 1 | | |
| 004-2 | 265995-6 | TAPPING SCREW 4X18 | O | 6 | | |
| 011-2 | 265995-6 | TAPPING SCREW 4X18 | O | 3 | | |
| 019-2 | 265995-6 | TAPPING SCREW 4X18 | O | 2 | | |
| 037 | 424045-8 | GUARD | | 1 | | |
| 038 | 345438-5 | GUARD PLATE | | 1 | | |
| 043-1 | 262190-9 | URETHANE RING 5 | O | 1 | | |
| 046 | 140699-0 | BLADE CASE COMPLETE | | 1 | | |
| C30 | 810968-0 | CAUTION LABEL | | 1 | | |
| 068 | 458786-4 | SAFETY COVER | | 1 | | |
| A07 | 127056-9 | HOLDER ASSEMBLY | | 2 | | |

Please state Parts No. when your order.

Print Date 24/10/2023