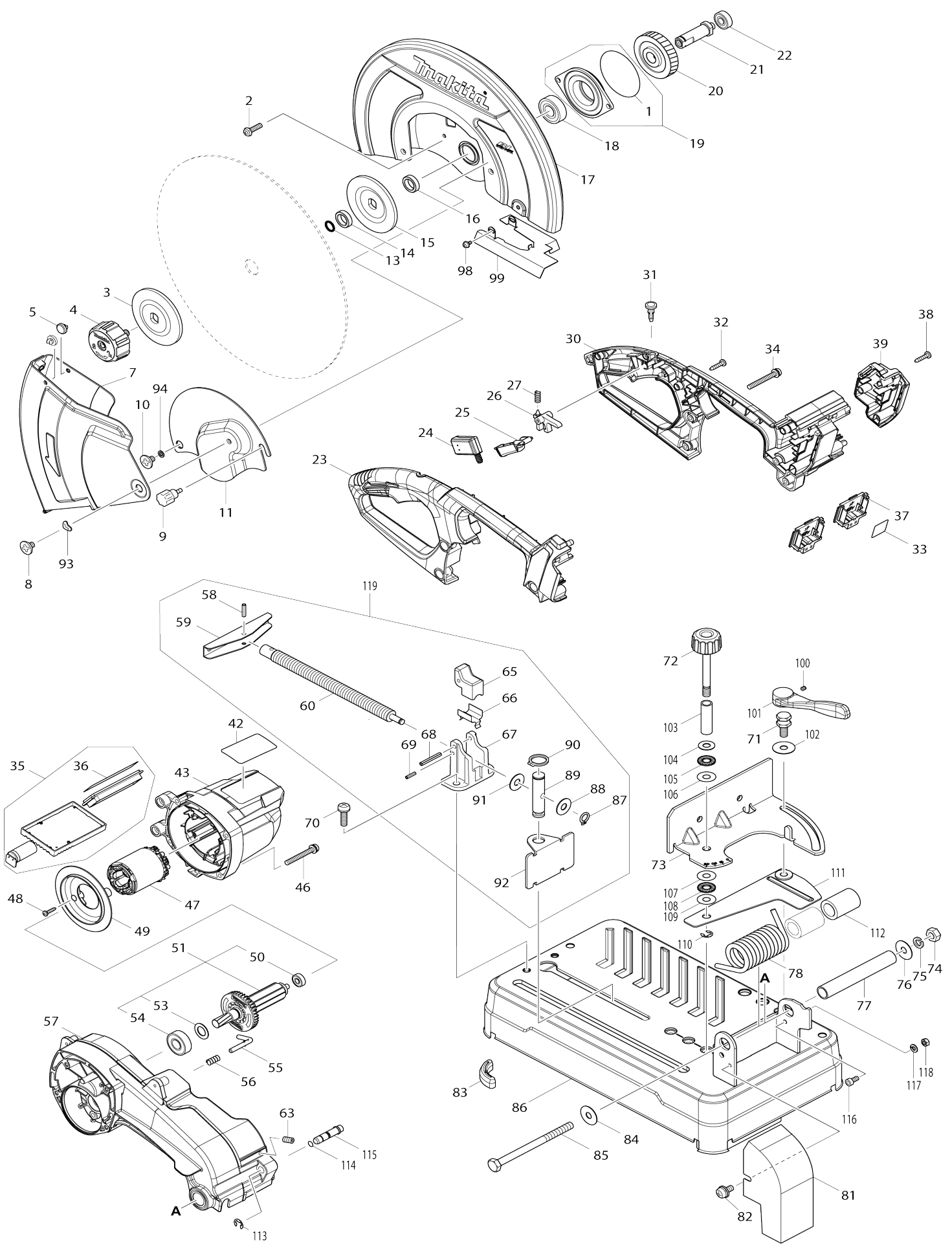


Model No. DLW140 355MM DC PORTABLE CUT-OFF



Model No.DLW140 355MM DC PORTABLE CUT-OFF

Item No.	Parts No.	Description	Interchangability	Q'ty	New/Old	Note1	Note2
001	213858-0	O-RING 65		1			
002	265122-5	PAN HEAD SCREW M5X20		4			
003	224456-5	FLANGE 90		1			
004	123478-1	TOOLLESSBOLT ASSEMBLY		1			
005	418142-0	PLUG		2			
007	162490-6	SAFETY GUIDE		1			
008	265121-7	+ FLAT HEAD SCREW M6		1			
009	251488-9	THUMB SCREW M6X12		1			
010	265121-7	+ FLAT HEAD SCREW M6		1			
011	347095-5	CENTER COVER		1			
013	213180-5	O RING 14		1			
014	257255-0	RING 17		1			
015	224456-5	FLANGE 90		1			
016	257255-0	RING 17		1			
017	162489-1	SAFETY COVER		1			
018	211282-1	BALL BEARING 6203ZZ		1			
019	136029-1	BEARING BOX ASSY		1			
D10		INC. 1					
020	227811-0	HELICAL GEAR 50		1			
021	324321-9	SPINDLE		1			
022	210067-2	BALL BEARING 6000ZZ		1			
023	183K57-3	HANDLE SET		1	*		
C10	263005-3	RUBBER PIN 6		3	*		
D10		INC. 30					
023-1	183N94-5	HANDLE SET	<	1			
C10	263005-3	RUBBER PIN 6		3			
D10		INC. 30					
024	651083-9	SWITCH C3XA-1PSPM		1			
025	458737-7	SWITCH LEVER		1			
026	418139-9	SWITCH LOCK		1			
027	231397-8	COMPRESSION SPRING 4		1			
030	183K57-3	HANDLE SET		1	*		
C10	263005-3	RUBBER PIN 6		3	*		
D10		INC. 23					
030-1	183N94-5	HANDLE SET	<	1			
C10	263005-3	RUBBER PIN 6		3			
D10		INC. 23					
031	417113-4	SWITCH BUTTON		1			
032	266326-2	TAPPING SCREW 4X18		5			
033	854Y37-7	DLW140 SERIAL NO. LABEL		1			
034	265104-7	PAN HEAD SCREW M5X40		4			
035	620982-6	CONTROLLER COMPLETE		1	*		
D10		INC. 36					
035-1	620M40-6	CONTROLLER COMPLETE	S	1			
D10		INC. 36					
036	818B34-9	INDICATION LABEL		1			
037	644809-6	TERMINAL		2			

038	266326-2	TAPPING SCREW 4X18		3		
039	140D72-8	BATTERY COVER COMPLETE		1		
C10	263005-3	RUBBER PIN 6		1		
042	854Y30-1	DLW140 NAME PLATE		1		
043	458733-5	MOTOR HOUSING		1		
046	265104-7	PAN HEAD SCREW M5X40		4		
047	629377-0	STATOR		1	*	
047-1	629B80-5	STATOR	S	1		
048	266326-2	TAPPING SCREW 4X18		2		
049	458736-9	BAFFLE PLATE		1		
050	210062-2	BALL BEARING 607ZZ		1		
051	519537-1	ROTOR ASSY		1		
D10		INC. 50,53,54				
053	267274-8	FLAT WASHER 15		1		
054	211240-7	BALL BEARING 6202ZZ		1		
055	324322-7	STOPPER		1		
056	233372-0	COMPRESSION SPRING 7		1		
057	140D69-7	GEAR HOUSING COMPLETE		1		
C10	263005-3	RUBBER PIN 6		1		
058	951163-4	SPRING PIN 5-20		1		
059	272027-2	HANDLE 120		1		
060	324323-5	WISE SCREW		1	*	
060-1	326802-9	WISE SCREW	O	1		
063	266321-2	H.S.SET SCREW(FLAT POINT)M6X 16		1		
065	313114-9	WISE NUT		1		
066	345311-9	PLATE		1		
067	317662-0	SCREW GUIDE		1		
068	951175-7	SPRING PIN 5-36		1		
069	951110-5	SPRING PIN 4-16		1		
070	265125-9	PAN HEAD SCREW M8X30		2		
071	266996-7	COLLAR BOLT M10X20		1		
072	271331-6	KNOB 40		1		
073	347280-0	GUIDE PLATE		1		
074	252183-4	HEX.NUT M10-17		1		
075	942251-8	SPRING WASHER 10		1		
076	253197-6	FLAT WASHER 10		1		
077	331648-0	PIPE 20-128		1		
078	232478-1	TORSION SPRING 33		1		
081	161399-9	SPARK GUARD		1		
082	265144-5	PAN HEAD SCREW M6X12		1		
083	421834-2	CUSHION		3		
084	253197-6	FLAT WASHER 10		1		
085	265509-1	HEX.BOLT M10X140		1		
086	161432-7	BASE		1		
087	961004-6	RETAINING RING (EXT) S-8		1		
088	267257-8	FLAT WASHER 8		1		
089	256545-8	PIN 16		1		
090	961056-7	RETAINING RING S-16		1		
091	267257-8	FLAT WASHER 8		1		
092	347277-9	WISE PLATE		1		
093	253903-9	WAVE WASHER 6		1		

094	941152-7	FLAT WASHER 6		1		
098	911103-4	PAN HEAD SCREW M4X6		2		
099	347275-3	SPARK COVER		1		
100	266264-8	H.S.SET SCREW(FLAT POINT)M5X6		1		
101	272286-8	LEVER 125		1		
102	253197-6	FLAT WASHER 10		1		
103	257389-9	SLEEVE 11		1		
104	253180-3	FLAT WASHER 10		1		
105	216413-7	THRUST NEEDLE CAGE 1024		1		
106	253353-8	THIN WASHER 10		1		
107	253353-8	THIN WASHER 10		1		
108	216413-7	THRUST NEEDLE CAGE 1024		1		
109	253353-8	THIN WASHER 10		1		
110	961014-3	STOP RING E-8		1		
111	161402-6	GUIDE BASE		1		
112	257413-8	SLEEVE 20		2		
113	961014-3	STOP RING E-8		1		
114	213011-8	O RING 7		1		
115	326624-7	STOPPER PIN		1		
116	922312-0	HEX. SOCKET HEAD BOLT M6X12		1		
117	253428-3	SPRING WASHER 6		1		
118	931302-2	HEX. NUT M6		1		
119	135881-4	VICE ASS'Y		1		
D10		INC. 58-60,65-69,87-92				
120	620L68-8	CONTROLLER B	S	1		
121	652119-7	PAN HEAD SCREW M2X6	S	6		
A01	B-64696	14" CUT-OFF WHEEL 355X2.5X25.4		1		
A02	450128-8	BATTERY COVER		2		
A03	***DC18RD	DC18RD TWO PORT FAST CHARGER		1		
D10		COMPO-PARTS				
A04	197280-8	BATTERY BL1850B SET		2	*	
A04-1	197280-8	BATTERY BL1850B SET	O	2		

Please state Parts No. when your order.

Print Date 24/10/2023