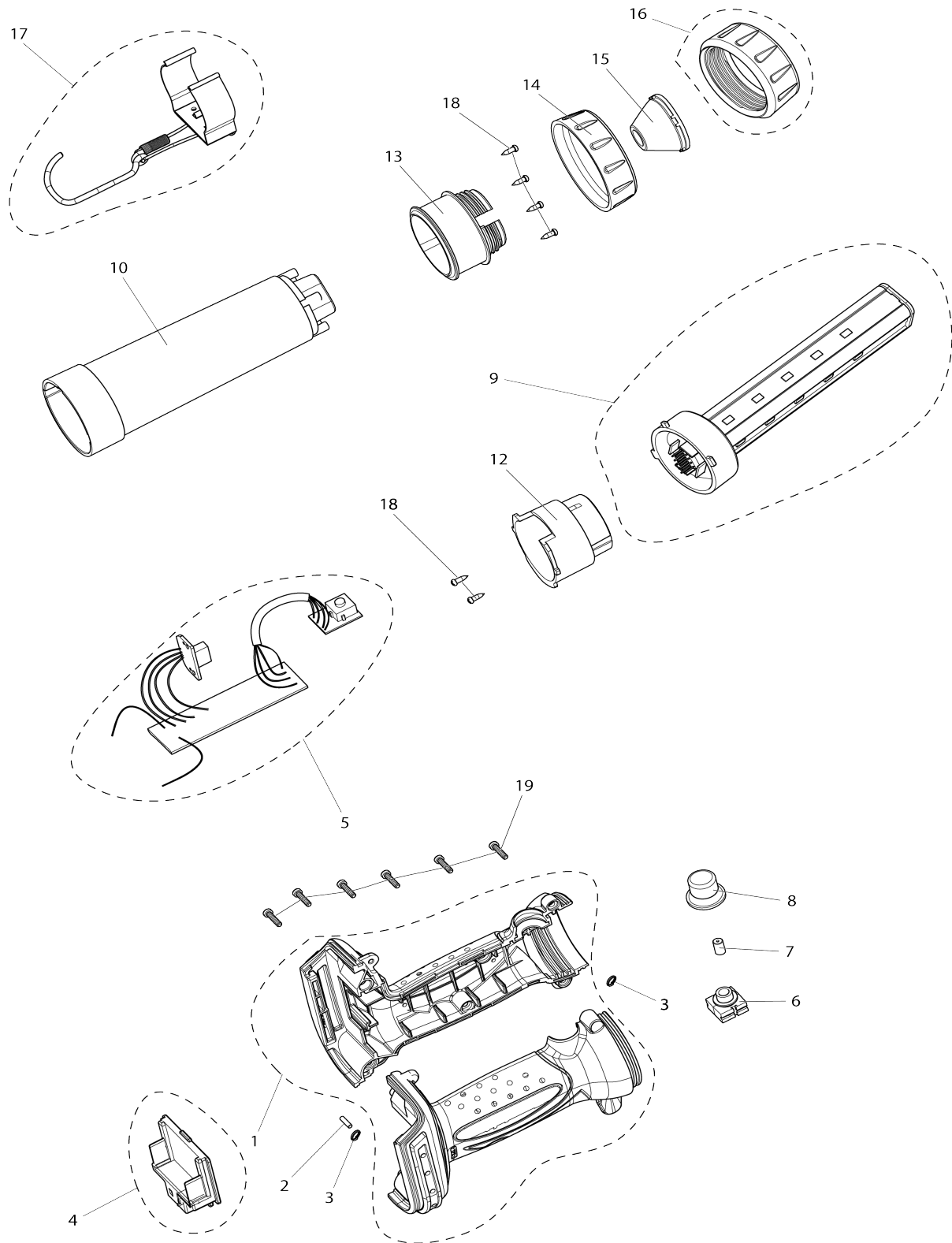


# Model No.DML806 RECHARGEABLE LED FLASHLIGHT



Model No.DML806 RECHARGEABLE LED FLASHLIGHT

Item No.	Parts No.	Description	Interchangability	Q'ty	New/Old	Note1	Note2
001	GM00001382	HOUSING L/R		1			
002	GM00001383	METAL PIN		1			
003	SM00000190	RING B3103184009		2			
004	GM00001117	BATTERY HOLDER C2010239007		1			
005-1	GM00001431	MAIN PCBA ASS'Y		1			
006	GM00001385	SWITCH HOLDER		1			
007	GM00001386	SWITCH ROD		1			
008	GM00001387	SWITCH RUBBER COVER		1			
009	GM00001388	LED LAMP TUBE ASS'Y		1			
010	GM00001389	DUFFUSING CAP		1			
012	GM00001391	LAMP HOLDER		1			
013	GM00001392	BULB BRACKET		1			
014	GM00001019	LOCK RING 30110184004		1			
015	GM00001393	REFLECTOR		1			
016	GM00001394	TORCH LENS ASS'Y		1			
017	GM00001027	METAL HOOK		1			
018	GM00001395	SCREW 2.6X8PB B0126081102		6			
019	GM00001024	SCREW 3X12 B0130120202		6			

Please state Parts No. when your order.

Print Date 24/10/2023