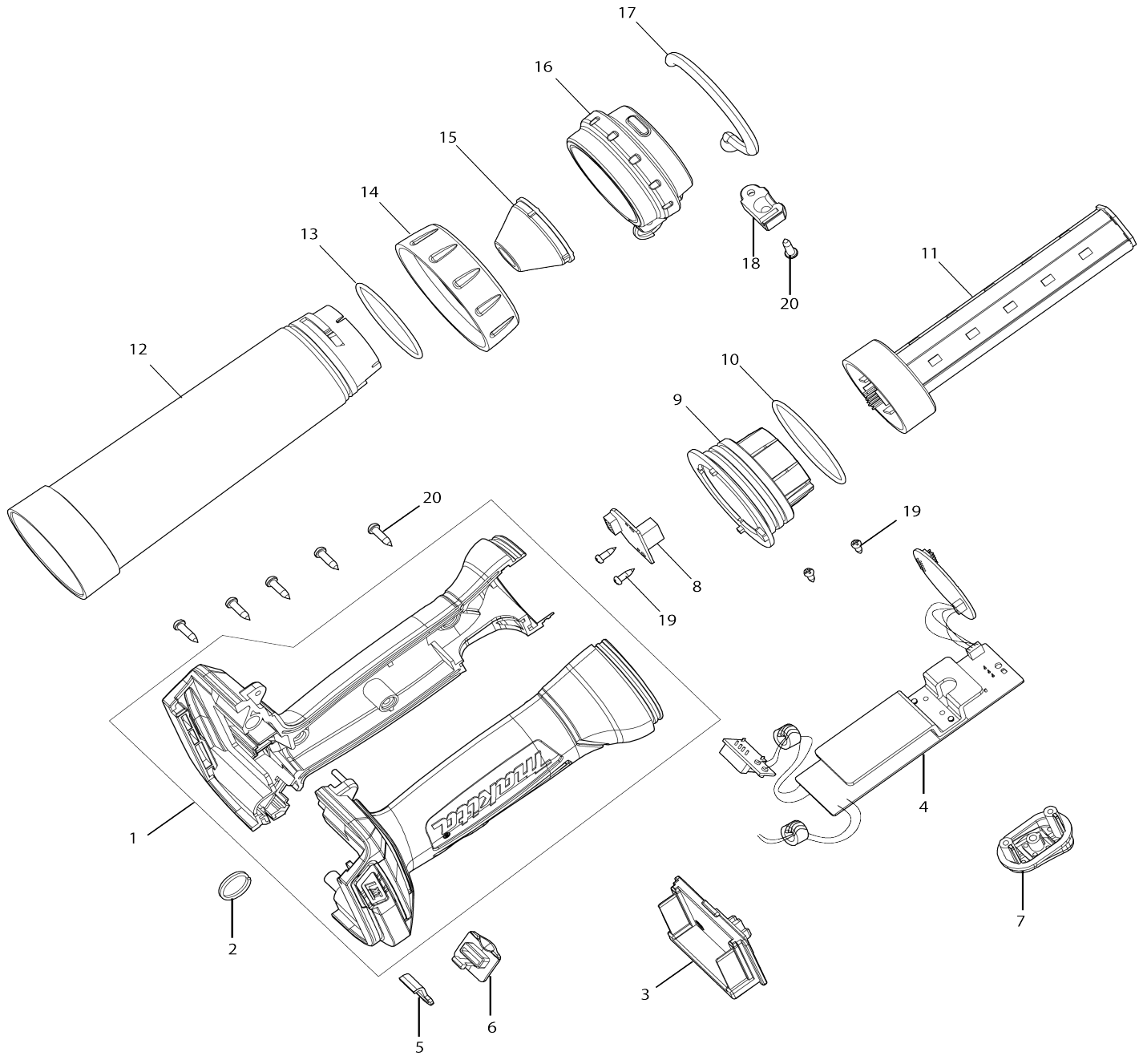


# Model No.DML807 RECHARGEABLE LED FLASHLIGHT



Model No.DML807 RECHARGEABLE LED FLASHLIGHT

Item No.	Parts No.	Description	Interchangability	Q'ty	New/Old	Note1	Note2
001	GM00001456	HOUSING L/R ASSY ROS88070006		1	*		
001-1	GM00001669	HOUSING L/R ASSY ROS88070300	S	1			
002	SM00000190	RING B3103184009		1			
003	GM00001457	BATTERY HOLDER ROS88070009		1			
004	GM00001458	MAIN+USB PCBA ASSY ROS88070005		1	*		
004-1	GM00001670	MAIN+USB PCBA ASSY ROS88070301	S	1	*		
004-2	GM00002291	0	S	1			
005	GM00001459	METAL STRAP HOOK B2808807021		1			
006	GM00001460	USB RUBBER COVER C9820807005		1			
007	GM00001461	SWITCH HOLDER ASSY ROS88070004		1			
008	GM00001462	FEMALE SOCKET PCBA ROS88070003		1			
009	GM00001463	LAMP HOLDER C1020807004		1			
010	GM00001464	O-RING (CAP) C9820807004		1			
011	GM00001465	LED LAMP TUBE ASSY ROS88070002		1			
012	GM00001466	DIFFUSING CAP ROS88070007		1			
013	GM00001467	O-RING C9820807003		1			
014	GM00001468	LOCK RING C0110184004		1			
015	GM00001469	REFLECTOR ROS88070008		1			
016	GM00001470	BEZEL ASSY ROS88070001		1			
017	GM00001471	HOOK ASSY ROS88070000		1			
018	GM00001472	HOOK BALL COVER C3020807002		1			
019	GM00001395	SCREW 2.6X8PB B0126081102		4			
020	GM00001024	SCREW 3X12 B0130120202		6			
021	GM00001671	USB SWITCH BUTTON C9020807001	S	1	*		
021-1	GM00001713	USB SWITCH BUTTON C9020807002	<	1			
022	GM00001672	HEAT TRANSFER PAD A325204000	S	1			
023	GM00001673	USB SWITCH PCBA ROS88070302	S	1			
024	GM00001689	METAL SPRING, B1312104021	S	1			
025	GM00001690	PLASTIC SWITCH POST C102010400	S	1			

Please state Parts No. when your order.

Print Date 24/10/2023