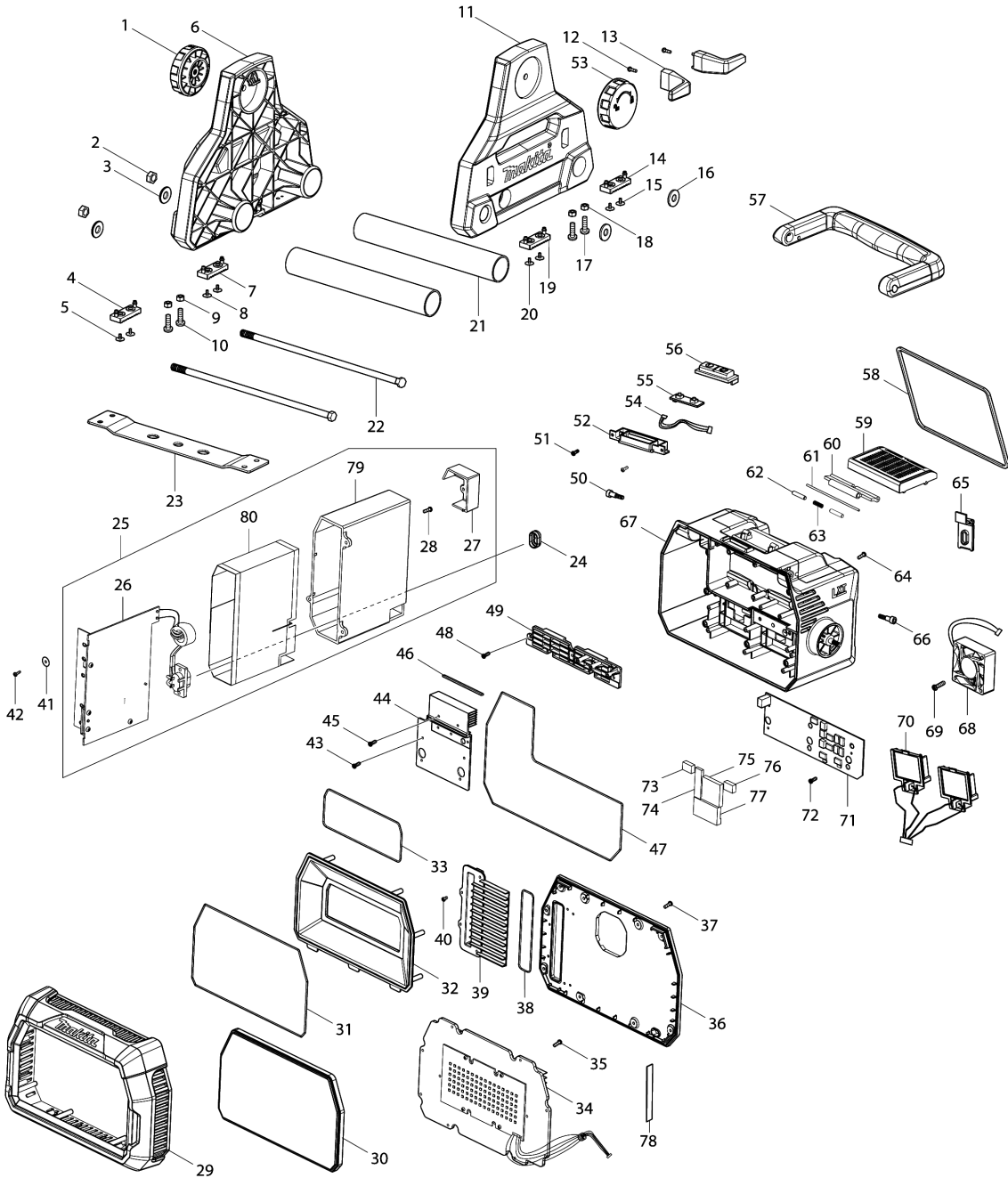


Model No.DML809 CORDLESS WORKLIGHT



Model No.DML809 CORDLESS WORKLIGHT

Item	Parts No.	Description	I/C	Qty	New/Old	Opt. 1	Opt. 2	Note
001	GM00002160	LATCH KNOB ASSY		1				
002	GM00002158	NUT M8		2				
003	GM00002157	METAL OD20XID8.5X2MM		2				
004	GM00002154	RUBBER FOOT		1				
005	GM00002164	SCREW 3X6 PWB		2				
006	GM00002162	STAND LEFT ASSY		1				
007	GM00002154	RUBBER FOOT		1				
008	GM00002164	SCREW 3X6 PWB		2				
009	GM00002155	NUT M5		2				
010	GM00002156	SCREW 5X15 PM		2				
011	GM00002161	STAND RIGHT ASSY		1				
012	GM00002165	SCREW 3X18 PT		2				
013	GM00002159	AC POWER CORD HOOKS		2				
014	GM00002154	RUBBER FOOT		1				
015	GM00002164	SCREW 3X6 PWB		2				
016	GM00002157	METAL OD20XID8.5X2MM		2				
017	GM00002156	SCREW 5X15 PM		2				
018	GM00002155	NUT M5		2				
019	GM00002154	RUBBER FOOT		1				
020	GM00002164	SCREW 3X6 PWB		2				
021	GM00002192	METAL STAND HOLDING TUBE		2				
022	GM00002191	METAL M8 BOLT		2				
023	GM00002190	METAL BASE HOLDING PLATE		1				
024	GM00002150	AC SOCKET HOLDER O-RING		1				
025	GM00002264	AC POWER COMPLETE EU		1				
D10		INC. 26-28,79,80						
026	GM00002262	AC POWER ASSY EU		1				
027	GM00002187	FERRITE RING HOLDER		1				
028	GM00001332	SCREW 3 X 8 PB B0130080702		6				
029	GM00002167	FRONT COVER ASSY		1				
030	GM00002168	LENS ASS'Y		1				
031	GM00002169	LENS O-RING		1				
032	GM00002170	REFLECTOR ASS'Y		1				
033	GM00002171	HEAT SINK O-RING		1				
034	GM00002172	LED PCBA ASS'Y		1				
035	GM00002165	SCREW 3X18 PT		8				
036	GM00002173	MID-BODY COVER		1				
037	GM00002165	SCREW 3X18 PT		10				
038	GM00002175	RUBBER HEAT SINK		1				
039	GM00002174	AC POWER HEAT SINK		1				
040	GM00001332	SCREW 3 X 8 PB B0130080702		4				
041	GM00002254	NYLON WASHER		5				
042	GM00002260	SCREW 3X13 PWB		5				
043	GM00002165	SCREW 3X18 PT		4				

Please order the parts with part number.

Print Date 24/10/2023

Model No.DML809 CORDLESS WORKLIGHT

Item	Parts No.	Description	I/C	Qty	New/Old	Opt. 1	Opt. 2	Note
044	GM00002253	HEAT SINK ASSY		1				
045	GM00002165	SCREW 3X18 PT		5				
046	GM00002178	MID BODY O-RING		1				
047	GM00002176	MID-BODY O-RING		1				
048	GM00002165	SCREW 3X18 PT		3				
049	GM00002180	TERMINAL HOLDING PLATE ASSY		1				
050	GM00002137	INSIDE-HEX SCREW		1				
051	GM00001333	SCREW 3 X 12PB B0130120702		2				
052	GM00002138	SWITCH HOLDER		1				
053	GM00002160	LATCH KNOB ASSY		1				
054	GM00002181	4P WAFER		1				
055	GM00002182	SWITCH PCBA ASSY		1				
056	GM00002141	SWITCH ASSY		1				
057	GM00002185	HANDLE ASSY		1				
058	GM00002183	O-RING MID BODY		1				
059	GM00002258	LATCH A		1				
060	GM00002257	LATCH B		1				
061	GM00002256	SHAFT B		1				
062	GM00002255	SHAFT A		2				
063	GM00002259	SPRING		1				
064	GM00002165	SCREW 3X18 PT		8				
065	GM00002142	AC SOCKET O-RING		1				
066	GM00002137	INSIDE-HEX SCREW		1				
067	GM00002184	MID BODY ASSY		1				
068	GM00002194	COOLING FAN		1				
069	GM00002193	SCREW 4X30 PA		4				
070	GM00002200	BATTERY HOLDER ASSY		1				
071	GM00002202	MAIN PCBA ASSY		1				
072	GM00002165	SCREW 3X18 PT		3				
073	GM00002195	SILICON RUBBER 15X10X5.7		1				
074	GM00002196	SILICON RUBBER 38X10X3.5		1				
075	GM00002197	SILICON RUBBER 30X30X5.7		1				
076	GM00002195	SILICON RUBBER 15X10X5.7		1				
077	GM00002198	SILICON RUBBER 40X23X7.1		1				
078	GM00002134	EVA-B		1				
079	GM00002186	AC POWER CASE ASSY		1				
080	GM00002201	AC CASE ISOLATED SHEET ASSY		1				
A01	GM00002127	VDE AC POWER CORD		1				

Please order the parts with part number.

Print Date 24/10/2023