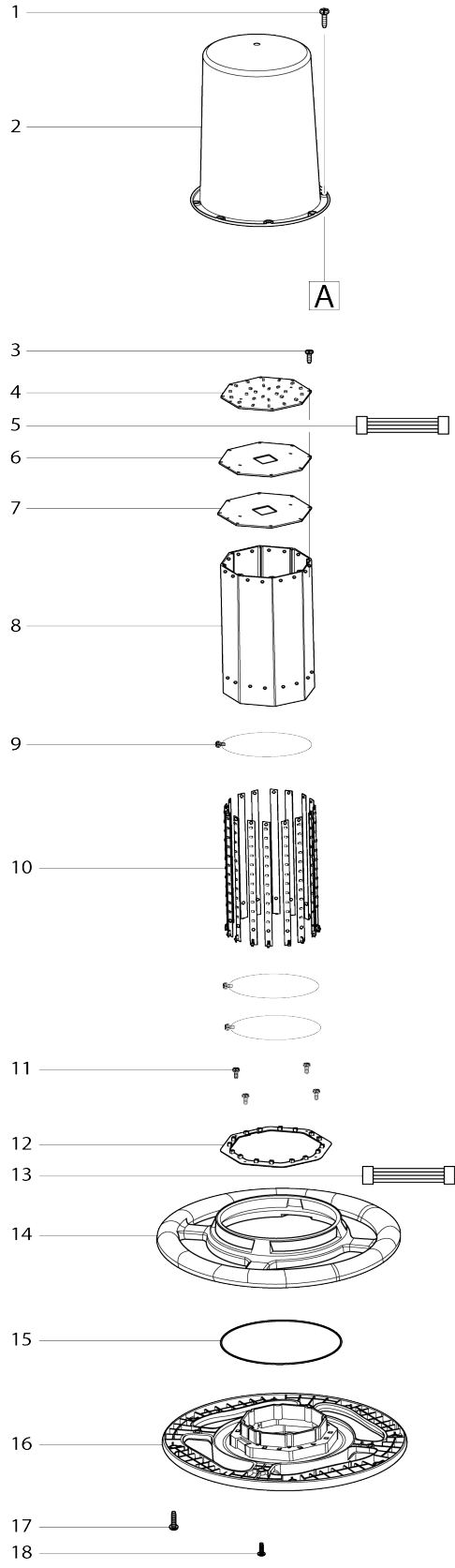
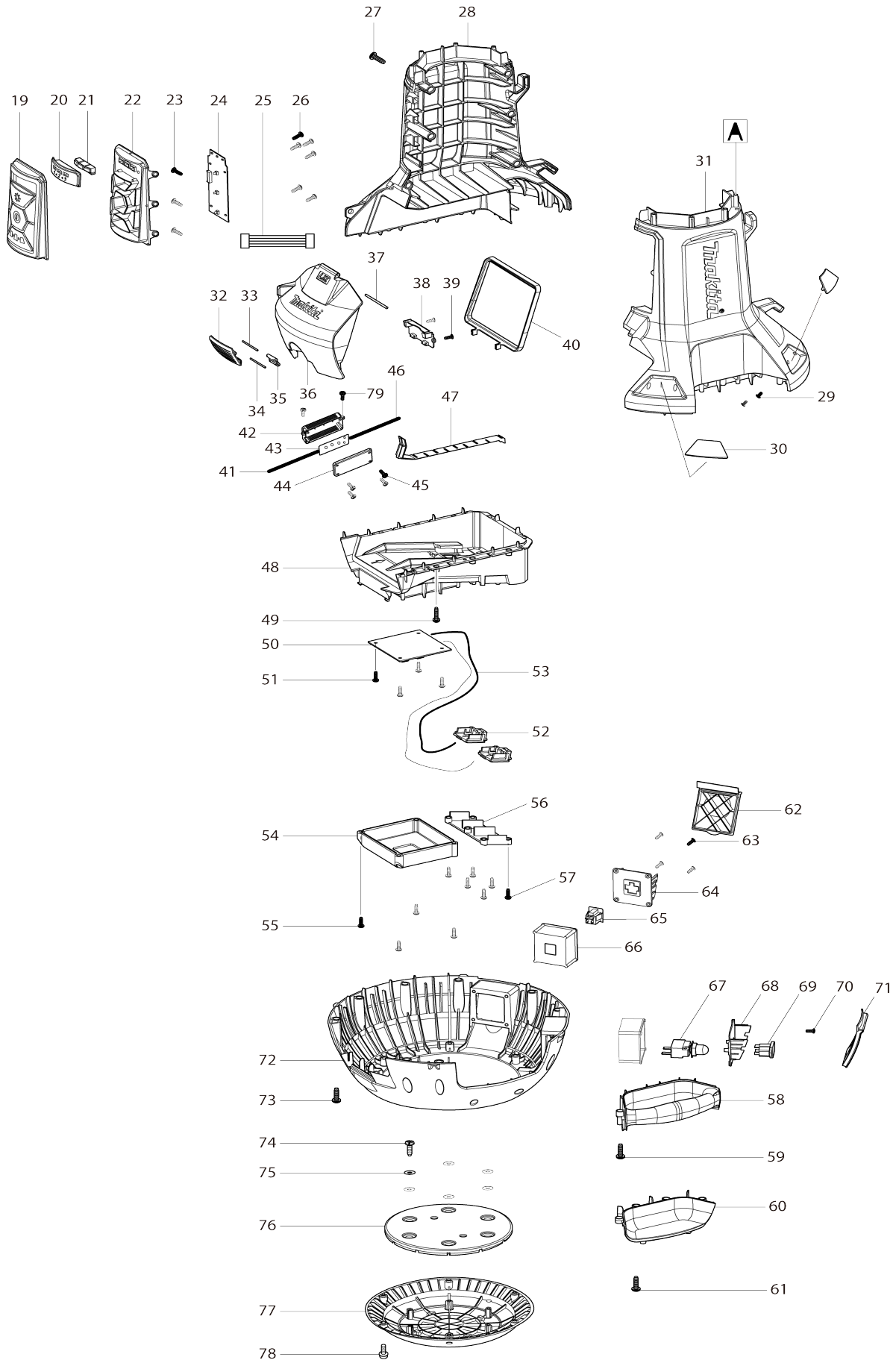


# Model No.DML810 CORDLESS AREA WORKLIGHT



# Model No.DML810 CORDLESS AREA WORKLIGHT



Model No.DML810 CORDLESS AREA WORKLIGHT

Item No.	Parts No.	Description	Interchangability	Q'ty	New/Old	Note1	Note2
001	QY00000001	TAPPING SCREW 4X20		8			
002	QY00000002	LED COVER		1			
003	QY00000003	TAPPING SCREW 3.5X14		8			
004	QY00000004	LED PLATE		1			
005	QY00000005	WIRE UNIT 6X300		1			
006	QY00000006	INSULATION PLATE		1			
007	QY00000007	HEAT SINK PLATE COVER		1			
008	QY00000008	HEAT SINK PLATE		1			
009	QY00000009	TAPPING SCREW 3X6		48			
010	QY00000010	LED PLATE LONG		16			
011	QY00000011	TAPPING SCREW 3X12		4			
012	QY00000012	DISTRIBUTION UNIT FOR LED		1			
013	QY00000013	WIRE UNIT 6X1000		1			
014	QY00000014	CIRCLE HANDLE UPPER		1			
015	QY00000015	O-RING		1			
016	QY00000016	CIRCLE HANDLE LOWER		1			
017	QY00000001	TAPPING SCREW 4X20		8			
018	QY00000017	TAPPING SCREW 3.5X14		12			
019	QY00000018	SWITCH COVER		1			
020	QY00000019	INDICATOR COVER		1			
021	QY00000020	INDICATOR UNIT		1			
022	QY00000021	SWITCH PCB BASE		1			
023	QY00000017	TAPPING SCREW 3.5X14		3			
024	QY00000022	SWITCH UNIT		1			
025	QY00000023	WIRE UNIT 10X850		1			
026	QY00000017	TAPPING SCREW 3.5X14		6			
027	QY00000024	TAPPING SCREW 5X20		6			
028	QY00000073	HOUSING SET		1			
D10		INC. 31					
029	QY00000026	TAPPING SCREW 3X8		8			
030	QY00000027	REFLECTOR		4			
031	QY00000073	HOUSING SET		1			
D10		INC. 28					
032	QY00000029	LATCH		1			
033	QY00000030	PIN 2.5X73		1			
034	QY00000031	PIN 4X75		1			
035	QY00000032	BATTERY COVER PLATE		1			
036	QY00000033	BATTERY COVER		1			
037	QY00000034	PIN 2.5X52.5		1			
038	QY00000035	BATTERY COVER BASE		1			
039	QY00000036	TAPPING SCREW 3X12		2			
040	QY00000037	BATTERY COVER PACKING		1			
041	QY00000038	CABLE		1	*		
041-1	QY00000092	CABLE	X	1			
042	QY00000039	POWER UNDER COVER		1			
043	QY00000040	PCB BOARD		1			
044	QY00000041	POWER COVER		1			

045	QY00000011	TAPPING SCREW 3X12		4		
046	QY00000042	WIRE UNIT 400		1		
047	QY00000043	PACKING		1		
048	QY00000044	BATTERY BOX LOWER		1		
049	QY00000001	TAPPING SCREW 4X20		8		
050	QY00000045	MAIN CONTROLER UNIT		1		
051	QY00000017	TAPPING SCREW 3.5X14		4		
052	QY00000046	TERMINAL		2		
053	QY00000047	WIRE UNIT 300		2		
054	QY00000048	CONTROLLER BOX		1		
055	QY00000017	TAPPING SCREW 3.5X14		4		
056	QY00000049	BATTERY TERMINAL FIX PLATE		1		
057	QY00000017	TAPPING SCREW 3.5X14		6		
058	QY00000050	UPPER GRIP		1		
059	QY00000024	TAPPING SCREW 5X20		3		
060	QY00000051	LOWER GRIP		1		
061	QY00000024	TAPPING SCREW 5X20		4		
062	QY00000052	AC OUTPUT SOCKET COVER		1		
063	QY00000036	TAPPING SCREW 3X12		4		
064	QY00000071	AC OUTPUT SOCKET FLAME B		1		
065	QY00000067	AC OUTPUT SOCKET D		1		
066	QY00000055	SOCKET CASE		2		
067	QY00000056	HUSE SET		1		
068	QY00000057	AC INPUT SOCKET FRAME		1		
069	QY00000058	AC INPUT POWER CONNECTOR		1		
070	QY00000036	TAPPING SCREW 3X12		6		
071	QY00000059	AC INPUT SOCKET COVER		1		
072	QY00000060	LOWER HOUSING		1		
073	QY00000024	TAPPING SCREW 5X20		11		
074	QY00000024	TAPPING SCREW 5X20		6		
075	QY00000061	WASHER 5		6		
076	QY00000062	WEIGHT		1		
077	QY00000063	WEIGHT COVER		1		
078	QY00000064	PAN HEAD SCREW M5X20		6		
079	QY00000011	TAPPING SCREW 3X12		4		
A01	QY00000081	POWER SUPPLY CORD 2500 D		1	*	
A01-1	QY00000093	POWER SUPPLY CORD EU PLUG	O	1		

Please state Parts No. when your order.

Print Date 24/10/2023