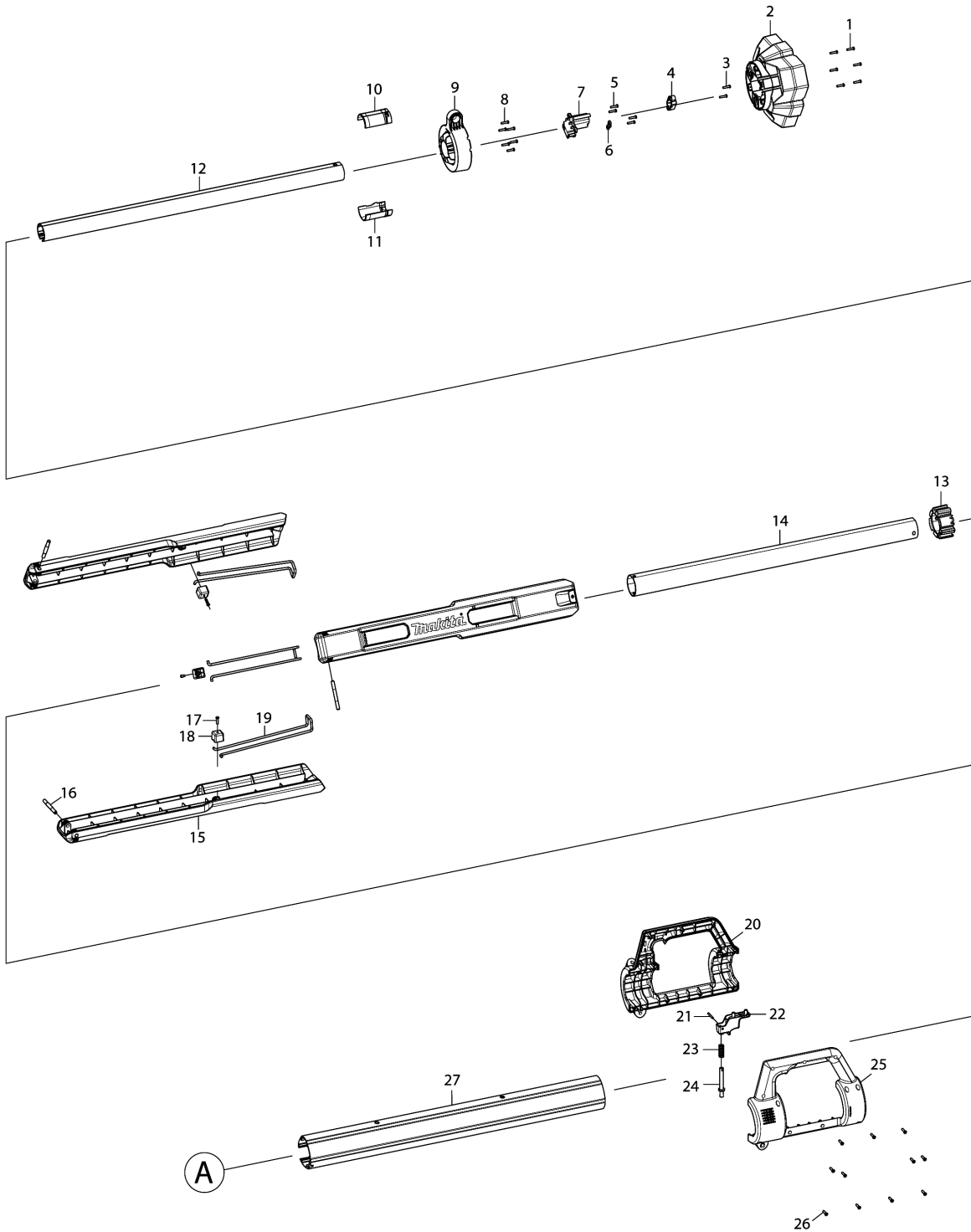
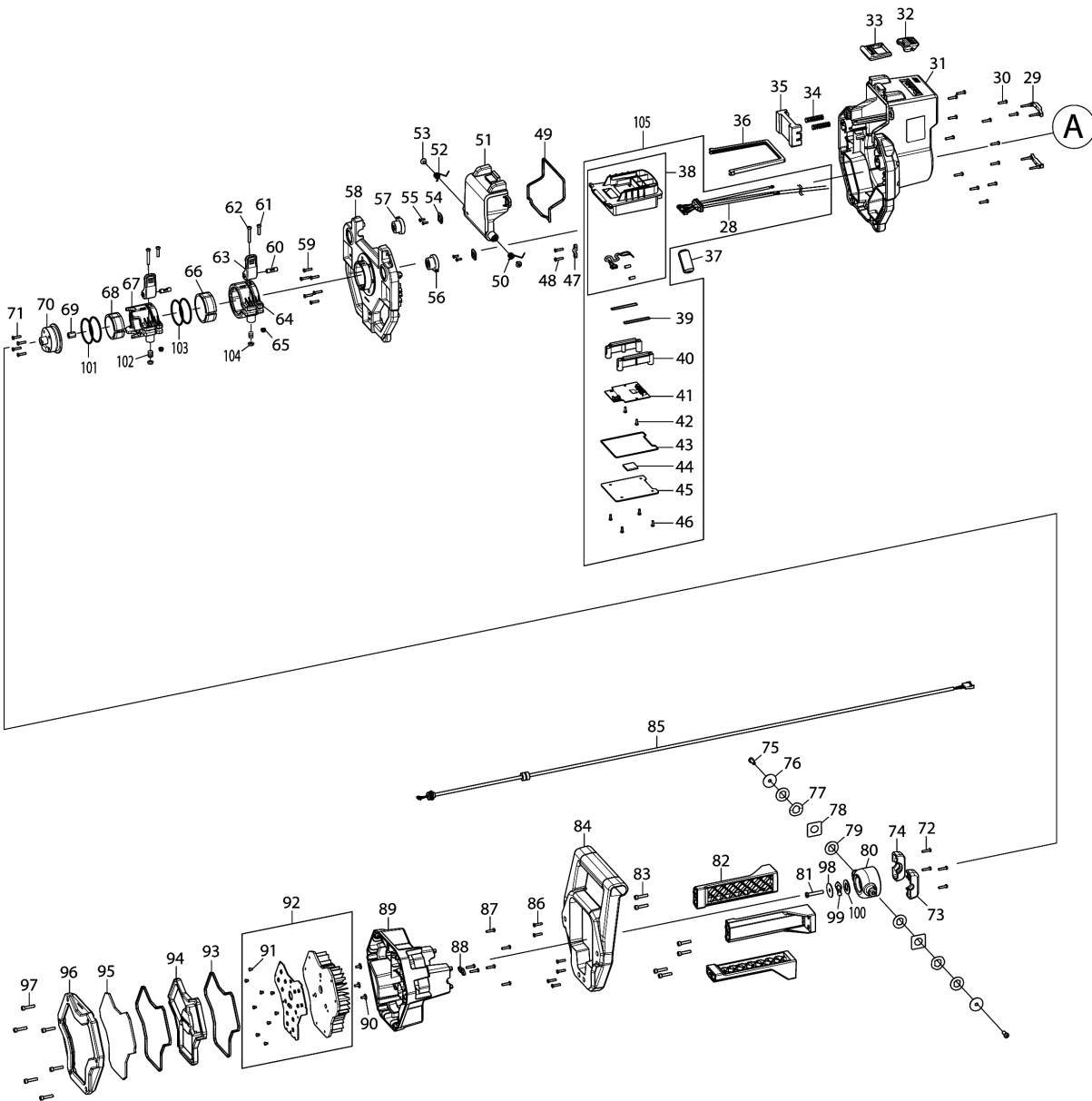


Model No.DML813 CORDLESS WORKLIGHT



Model No.DML813 CORDLESS WORKLIGHT



Model No.DML813 CORDLESS WORKLIGHT

Item	Parts No.	Description	I/C	Qty	New/Old	Opt. 1	Opt. 2	Note
001	TD00000015	TAPPING SCREW PB3.5X14		6				
002	TD00000016	REAR BASE		1				
003	TD00000015	TAPPING SCREW PB3.5X14		2				
004	TD00000017	CABLE COVER		1				
005	TD00000015	TAPPING SCREW PB3.5X14		4				
006	TD00000018	CORD CLAMP		1				
007	TD00000019	REAR FOOT L		1				
008	TD00000015	TAPPING SCREW PB3.5X14		6				
009	TD00000020	FRONT BASE		1				
010	TD00000021	SLEEVE R		1				
011	TD00000022	SLEEVE L		1				
012	TD00000023	POLE B		1				
013	TD00000024	POLE SLEEVE		1				
014	TD00000025	POLE A		1				
015	TD00000026	LEG		3				
016	TD00000027	PIN		3				
017	TD00000015	TAPPING SCREW PB3.5X14		3				
018	TD00000028	CHECK BLOCK		3				
019	TD00000029	LINK		3				
020	TD00000109	HANDLE SET		1				
D10		INC. 25						
021	TD00000031	PIN		1				
022	TD00000032	RELEASE BUTTON		1				
023	TD00000033	SPRING		1				
024	TD00000034	LATCH		1				
025	TD00000109	HANDLE SET		1				
D10		INC. 20						
026	TD00000015	TAPPING SCREW PB3.5X14		11				
027	TD00000036	BODY		1				
028	TD00000037	CABLE		1				
029	TD00000038	RUBBER PAD		2				
030	TD00000015	TAPPING SCREW PB3.5X14		13				
031	TD00000039	BATTERY HOUSING		1				
032	TD00000040	LATCH		1				
033	TD00000041	CLIP		1				
034	TD00000042	SPRING		2				
035	TD00000043	PUSH PLATE		1				
036	TD00000044	GASKET		1				
037	TD00000045	MAGNET RING		1				
038	TD00000046	PCBA BOX COMPLETE		1				
039	TD00000047	GASKET		2				
040	TD00000048	DUST COVER		2				
041	TD00000049	MAIN BOARD		1				
042	TD00000050	TAPPING SCREW PB3X8		2				
043	TD00000051	GASKET		1				

Please order the parts with part number.

Print Date 23/1/2024

Model No.DML813 CORDLESS WORKLIGHT

Item	Parts No.	Description	I/C	Qty	New/Old	Opt. 1	Opt. 2	Note
044	TD00000052	SILICON SHEET		1				
045	TD00000053	HEATSINK		1				
046	TD00000050	TAPPING SCREW PB3X8		4				
047	TD00000018	CORD CLAMP		1				
048	TD00000015	TAPPING SCREW PB3.5X14		2				
049	TD00000054	GASKET		1				
050	TD00000055	TORSION SPRING		1				
051	TD00000056	BATTERY COVER		1				
052	TD00000057	TORSION SPRING		1				
053	TD00000058	TAPPING SCREW PWB3X8		2				
054	TD00000059	KEY PCBA		2				
055	TD00000050	TAPPING SCREW PB3X8		4				
056	TD00000060	POWER KEY		1				
057	TD00000061	MODE KEY		1				
058	TD00000062	HOUSING COVER		1				
059	TD00000015	TAPPING SCREW PB3.5X14		6				
060	TD00000138	PIN		2				
061	TD00000064	SCREW PM4.0X16		2				
062	TD00000136	SCREW PM4.0X38		2				
063	TD00000066	CLAMP		2				
064	TD00000134	POLE CLAMP A		1				
065	TD00000068	NUT M4		2				
066	TD00000132	BUSH A		1				
067	TD00000135	POLE CLAMP B		1				
068	TD00000133	BUSH B		1				
069	TD00000072	NUT M5		1				
070	TD00000073	POLE COVER		1				
071	TD00000015	TAPPING SCREW PB3.5X14		4				
072	TD00000015	TAPPING SCREW PB3.5X14		4				
073	TD00000074	SHAFT COVER R		1				
074	TD00000075	SHAFT COVER L		1				
075	TD00000076	SCREW PW5.0X12		2				
076	TD00000077	FLAT WASHER		2				
077	TD00000078	SPRING WASHER		2				
078	TD00000079	SQUARE WASHER		2				
079	TD00000080	FLAT WASHER		4				
080	TD00000081	BASE		1				
081	TD00000082	SCREW PM5.0X30		1				
082	TD00000083	HANDLE SUPPORTER		3				
083	TD00000084	TAPPING SCREW CB4.0X20		6				
084	TD00000085	HANDLE		1				
085	TD00000086	COILED CABLE		1				
086	TD00000015	TAPPING SCREW PB3.5X14		6				
087	TD00000015	TAPPING SCREW PB3.5X14		6				
088	TD00000018	CORD CLAMP		1				

Please order the parts with part number.

Print Date 23/1/2024

Model No.DML813 CORDLESS WORKLIGHT

Item	Parts No.	Description	I/C	Qty	New/Old	Opt. 1	Opt. 2	Note
089	TD00000087	LAMP HOUSING		1				
090	TD00000058	TAPPING SCREW PWB3X8		3				
091	TD00000088	TAPPING SCREW PB3X4		9				
092	TD00000093	HEATSINK COMPLETE		1				
D10		INC. 91						
093	TD00000089	GASKET		2				
094	TD00000090	REFLECTOR CUP		1				
095	TD00000091	LENS		1				
096	TD00000092	FRONT HOUSING		1				
097	TD00000084	TAPPING SCREW CB4.0X20		6				
098	TD00000077	FLAT WASHER		1				
099	TD00000078	SPRING WASHER		1				
100	TD00000080	FLAT WASHER		1				
101	TD00000141	RING		2				
102	TD00000139	SPRING		2				
103	TD00000140	RING		2				
104	TD00000137	LOCK NUT		2				
105	TD00000094	MAIN BOARD ASSEMBLY		1				
D10		INC. 28,38-46						
A01	TD00000001	TOOL BAG		1				
A02	TD00000002	SHOULDER BELT		1				

Please order the parts with part number.

Print Date 23/1/2024