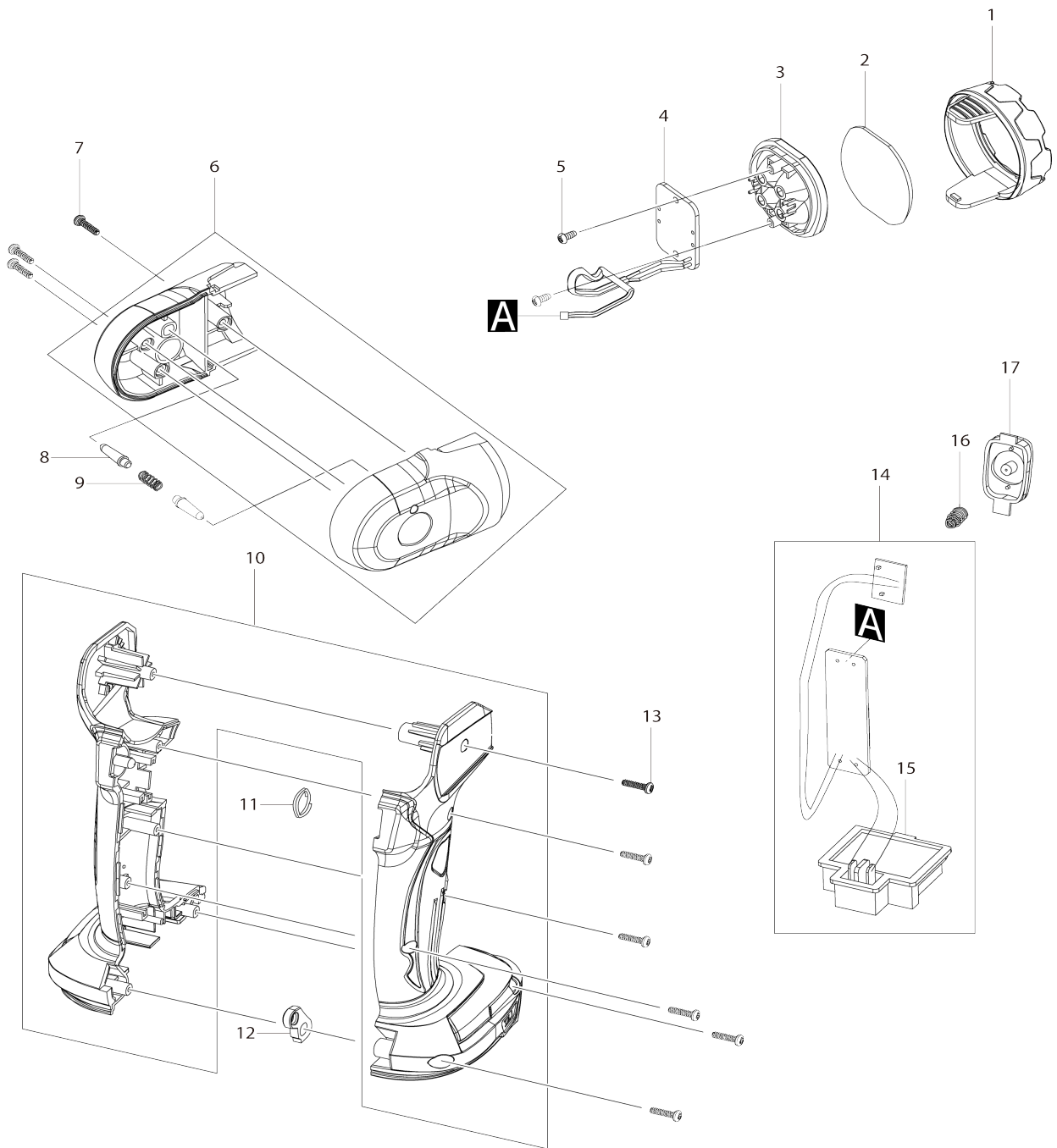


Model No.DML815 CORDLESS FLASHLIGHT



Model No.DML815 CORDLESS FLASHLIGHT

Item No.	Parts No.	Description	Interchangability	Q'ty	New/Old	Note1	Note2
001	GM00001299	BEZEL(C1720802002)		1			
002	GM00001298	LENS(C1720802001)		1			
003	GM00002074	REFLECTOR		1			
004-1	GM00002243	LED PCBA ASSY (CE)		1			
005	GM00001332	SCREW 3 X 8 PB		2			
006	GM00002076	HEAD HOUSING ASSY		1			
007	GM00001333	SCREW 3 X 12PB B0130120702		3			
008	GM00001295	LOCKING SHAFT(C4120802001)		2			
009	GM00001294	COMPRESSION SPRING B1303802922		1			
010	GM00001303	HOUSING L/R(G0180200400)		1			
011	GM00001292	RING (B3103184009)		1			
012-1	GM00002285	HOOK PLATE		1			
013	GM00001333	SCREW 3 X 12PB B0130120702		6			
014	GM00002078	MAIN PCBA ASSY		1			
D10		INC. 15					
015	GM00001117	BATTERY HOLDER C2010239007		1			
016	GM00002077	SPRING		1			
017	GM00001291	SWITCH COVER(G0180200200)		1			
A01	GM00001289	HOOK BAND SET(G0180200100)		1			

Please state Parts No. when your order.

Print Date 24/10/2023