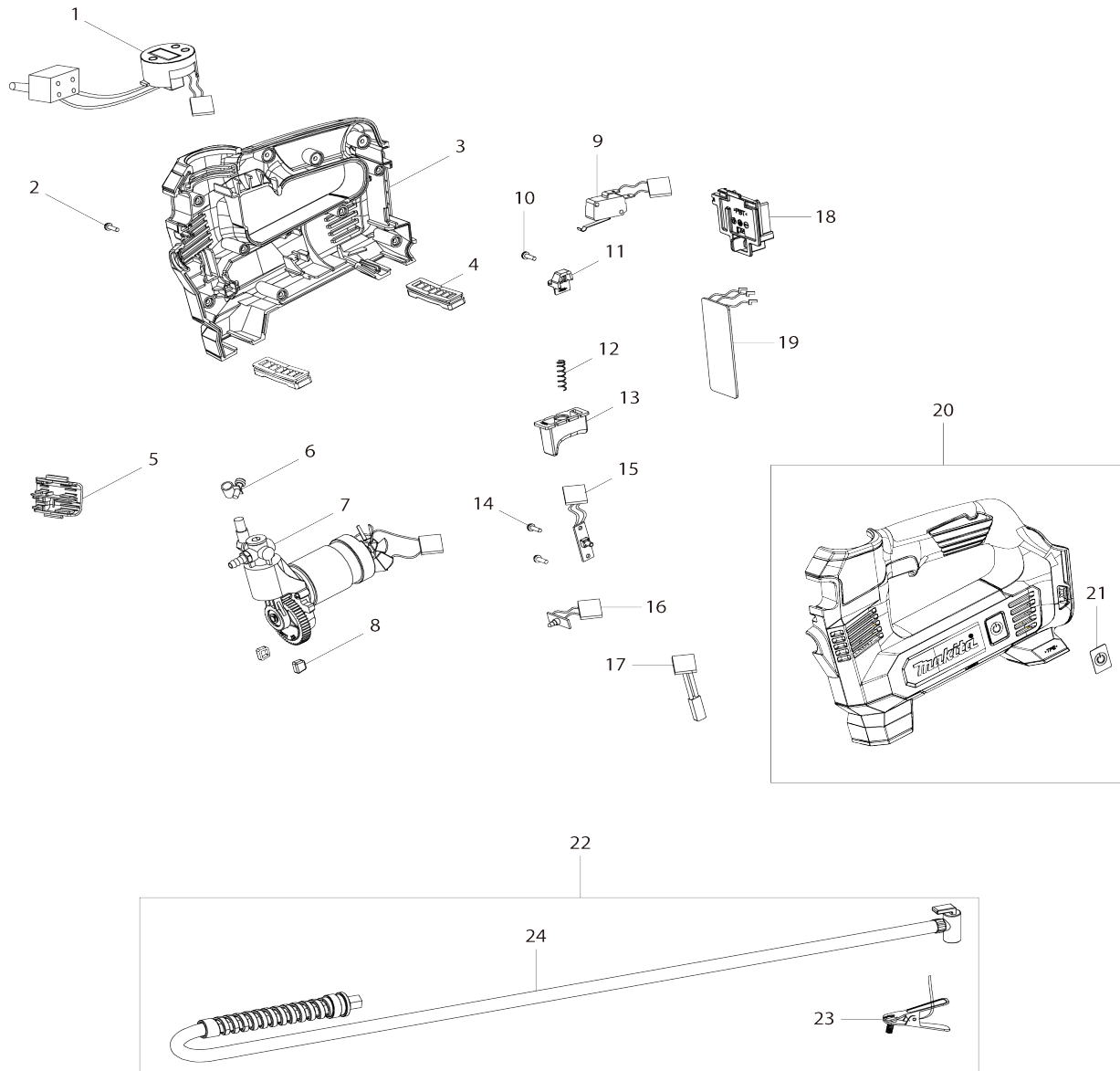


Model No.DMP180 CORDLESS INFLATOR



Model No.DMP180 CORDLESS INFLATOR

Item No.	Parts No.	Description	Interchangeability	Q'ty	New/Old	Note1	Note2
001	TE00000421	DIGITAL DISPLAY		1	*		
001-1	TE00000630	DIGITAL DISPLAY	O	1			
002	TE00000204	SCREW 3X14		10			
003	TE00000420	HOUSING ASSEMBLY		1	*		
D10		INC. 20,21					
003-1	TE00000444	HOUSING SET	O	1	*		
D10		INC. 20,21					
003-2	TE00000483	HOUSING SET	O	1			
D10		INC. 20,21					
004	TE00000338	MAT		2			
005	TE00000422	FIXED BRACKET		1			
006	TE00000352	CLAMP		1			
007	TE00000425	MOTOR ASSEMBLY		1	*		
007-1	TE00000641	MOTOR ASSEMBLY	<	1			
D10		INC. 22					
008	TE00000339	RUBBER(CYLINDER)		2			
009	TE00000329	SWITCH		1	*		
009-1	TE00000485	SWITCH TRIGGER	O	1	*		
009-2	TE00000329	SWITCH	X	1			
010	TE00000327	SCREW 3*10		1			
011	TE00000328	TRIGGER SPRING-FIXED BLOCK		1			
012	TE00000330	SPRING		1			
013	TE00000331	SWITCH TRIGGER		1	*		
013-1	TE00000485	SWITCH TRIGGER	X	1			
014	TE00000327	SCREW 3*10		2			
015	TE00000341	POWER ON/OFF		1			
016	TE00000342	LED PCB		1			
017	TE00000343	TERMINAL PROTECTOR		1			
018	TE00000424	BATTERY TERMINAL		1			
019	TE00000423	PCB		1			
020	TE00000420	HOUSING ASSEMBLY		1	*		
D10		INC. 3,21					
020-1	TE00000444	HOUSING SET	O	1	*		
D10		INC. 3,21					
020-2	TE00000483	HOUSING SET	O	1			
D10		INC. 3,21					
021	TE00000426	SWITCH LABEL		1			
022	TE00000345	AIR PIPE ASSEMBLY(6MM)		1			
D10		INC. 23					
022A_	TE00000638	AIR PIPE ASSEMBLY(8MM)		1			
D10		INC. 23					
023	TE00000346	BRITISH ADAPTER		1	*		
023-1	TE00000597	BRITISH ADAPTER	<	1			
A01	TE00000333	SWIM RING ADAPTER		1			
A02	TE00000335	BALL ADAPTER		1	*		
A02-1	TE00000592	BALL ADAPTER	<	1			
A03	TE00000334	FRENCH ADAPTER		1	*		

A03-1	TE00000594	FRENCH ADAPTER	<	1			
-------	------------	----------------	---	---	--	--	--

Please state Parts No. when your order.

Print Date 24/10/2023