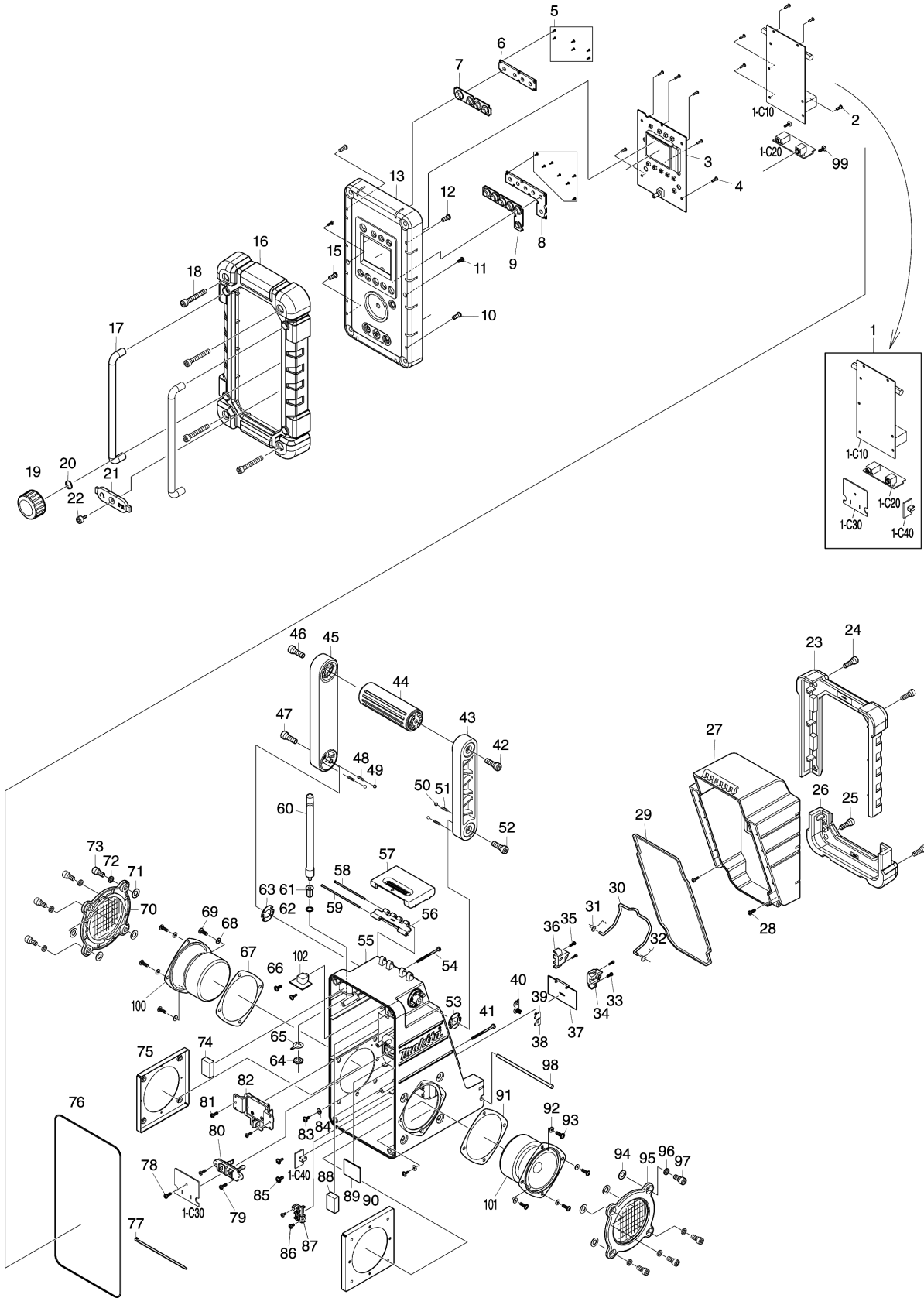


Model No.DMR102 JOB SITE RADIO



Model No.DMR102 JOB SITE RADIO

Item	Parts No.	Description	I/C	Qty	New/Old	Opt. 1	Opt. 2	Note
001	SE00000140	CIRCUIT BOARD A ASSY		1	*			
C10	SE00000141	CIRCUIT BOARD A		1	*			
C20	SE00000142	CIRCUIT BOARD A JACK		1	*			
C30	SE00000143	CIRCUIT BOARD A SPEAKER WIRE		1	*			
C40	SE00000144	VOLTAGE DETECT SWITCH ASSY		1	*			
001-1	SE00000266	PCB-A ALL ASS'Y JP	S	1				
C10	SE00000267	CIRCUIT BOARD A		1				
C20	SE00000268	PCB-A DC_JACK ASS'Y		1				
C30	SE00000269	PCB-A PWR_WIRE ASS'Y		1				
C40	SE00000270	PCB-A BATT_DET ASS'Y		1				
C50	SE00000220	CIRCUIT BOARD C AUX-2 ASS'Y		1				
002	SE09163102	SCREW M3X10		5				
003	SE00000155	CIRCUIT BOARD C ASSY		1	*			
003-1	SE00000297	CIRCUIT BOARD C ASSY	S	1				
004	SE09163102	SCREW M3X10		6				
005	SE09090011	SCREW 1.7		13				
006	SE020PC020	POWER BUTTON HOLDER		1				
007	SE00000157	POWER BUTTON (GRY)		1				
008	SE020PC030	PRESET BUTTON HOLDER		1				
009	SE00000158	PRESET BUTTON (GRY)		1				
010	SE09064161	SCREW M4X16		1				
011	SE09163102	SCREW M3X10		2				
012	SE09064161	SCREW M4X16		2				
013	SE00000204	FRONT CABINET ASSY		1				
015	SE09064161	SCREW M4X16		1				
016	SE00000159	FRONT BUMPER		1				
017	SE0338PC5Z	FRONT BAR		2				
018	SE00000160	SCREW PTHE6X47(CR)		4				
019	SE00000161	ROTARY KNOB		1				
020	SE21B1110A	ROTARY KNOB RING		1				
021	SE0335PC5Z	JACK COVER		1				
022	SE09173106	HEX SCREW M3X10		1				
023	SE00000162	BATTERY COVER BUMPER		1				
024	SE09176166	HEX SCREW M6X16		2				
025	SE09176166	HEX SCREW M6X16		2				
026	SE00000165	REAR BUMPER		1				
027	SE00000166	BATTERY COVER		1				
028	SE09163102	SCREW M3X10		2				
029	SE00000168	PACKING		1				
030	SE00000169	SUPPORT BAR		1				
031	SE00000170	SPRING-L		1				
032	SE00000171	SPRING-R		1				
033	SE09163102	SCREW M3X10		2				
034	SE00000173	SPRING HOLDER-R		1				

Please order the parts with part number.

Print Date 24/10/2023

Model No.DMR102 JOB SITE RADIO

Item	Parts No.	Description	I/C	Qty	New/Old	Opt. 1	Opt. 2	Note
035	SE09163102	SCREW M3X10		2				
036	SE00000175	SPRING HOLDER-L		1				
037	SE0307PC5Z	BACK UP BATTERY COVER		1				
038	SE021E9010	BATTERY CONTACT (+)		1				
039	SE021E9020	BATTERY CONTACT (-)		1				
040	SE021E9030	+/- BATTERY CONTACT ASS'Y		1				
041	SE09163452	SCREW M3X45		1				
042	SE00000176	SCREW PTHE6X20(CR)		1				
043	SE00000177	HANDLE HOLDER(R)		1				
044	SE00000179	HANDLE		1				
045	SE00000180	HANDLE HOLDER (L)		1				
046	SE00000176	SCREW PTHE6X20(CR)		1				
047	SE09176166	HEX SCREW M6X16		1				
048	SE00000184	SPRING		2				
049	SE09994007	STEEL BALL		2				
050	SE09994007	STEEL BALL		2				
051	SE00000184	SPRING		2				
052	SE09176166	HEX SCREW M6X16		1				
053	SE00000187	HANDLE SUS-PLATE (R)		1				
054	SE09163452	SCREW M3X45		1				
055	SE00000188	REAR CABINET		1				
056	SE00000067	LOCKER HINGER		1				
057	SE00000190	BATTERY COVER LOCKER		1				
058	SE021PC050	LOCKER FIXER PIN 62.8		1				
059	SE021PC040	LOCKER FIXER PIN 79.5		1				
060	SE00000191	ROD ANT (BLK)		1				
061	SE021J9032	ROD ANT HOLDER		1				
062	SE024J9050	PACKING		1				
063	SE00000192	HANDLE SUS-PLATE(L)		1				
064	SE021P0020	NUT		1				
065	SE021PC100	ROD ANT TERMINAL		1				
066	SE00000193	SCREW 3X10		2				
067	SE024J9030	PACKING		1				
068	SE024J9070	PACKING		4				
069	SE09090023	SCREW M4X12		4				
070	SE00000205	SPEAKER NET ASSY		1				
071	SE024J9090	PACKING		4				
072	SE024J9040	PACKING		4				
073	SE9076146A	HEX SCREW M6X14		4				
074	SE023PC020	EVA 25X18X5.5		1				
075	SE021J9010	SPEAKER HOLDER		1				
076	SE024PC040	PACKING		1				
077	SE00000195	W/TIES 100MM		1				
078	SE09163102	SCREW M3X10		1				
079	SE09163102	SCREW M3X10		2				

Please order the parts with part number.

Print Date 24/10/2023

Model No.DMR102 JOB SITE RADIO

Item	Parts No.	Description	I/C	Qty	New/Old	Opt. 1	Opt. 2	Note
080	SE00000098	CLUSTER BATTERY HOLDER		1	*			
080-1	SE00000098	CLUSTER BATTERY HOLDER	<	1				
081	SE09163102	SCREW M3X10		2				
082	SE00000197	TERMINAL D		1				
083	SE00000193	SCREW 3X10		2				
084	SE00000199	SILICON RUBBER WASHER		2				
085	SE00000193	SCREW 3X10		2				
086	SE09163062	SCREW M3X6		2				
087	SE00000200	TERMINAL C		1				
088	SE023PC020	EVA 25X18X5.5		2				
089	SE02311000	SPACER (A)		1				
090	SE021J9010	SPEAKER HOLDER		1				
091	SE024J9030	PACKING		1				
092	SE024J9070	PACKING		4				
093	SE09090023	SCREW M4X12		4				
094	SE024J9090	PACKING		4				
095	SE00000205	SPEAKER NET ASSY		1				
096	SE024J9040	PACKING		4				
097	SE9076146A	HEX SCREW M6X14		4				
098	SE021PC030	BATTERY COVER LOCKER		1				
099	SE00000193	SCREW 3X10		2				
100	SE01620771	SPEAKER		1				
101	SE01620771	SPEAKER		1				
A01	SE00000078	AC ADAPTER 3A8D127102B11		1				

Please order the parts with part number.

Print Date 24/10/2023