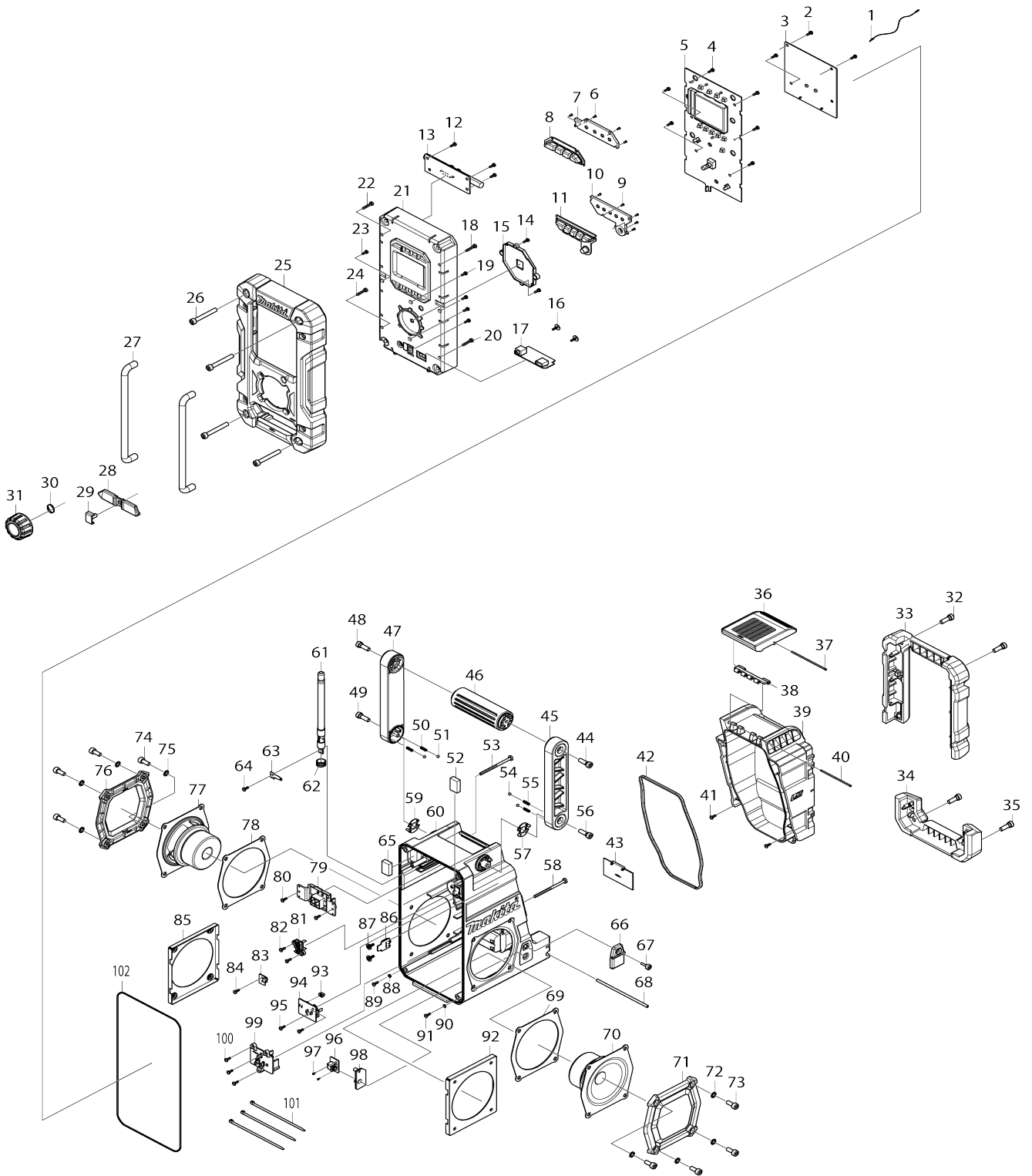


Model No.DMR106B JOB SITE RADIO



Model No.DMR106B JOB SITE RADIO

Item No.	Parts No.	Description	Interchangability	Q'ty	New/Old	Note1	Note2
001	SE00000437	WIRE		1			
002	SE00000325	SCREW PTB 3X8(NI)		3			
003	SE00000442	PCB A ASS'Y		1	*		
003-1	SE00000597	PCB A ASS'Y	O	1	*		
003-2	SE00000821	PCB A ASSEMBLY	O	1			
004	SE00000325	SCREW PTB 3X8(NI)		6			
005	SE00000329	PCB C ASS'Y EUROPE		1			
006	SE09090011	SCREW 1.7		4			
007	SE00000333	POWER BUTTON HOLDER		1			
008	SE00000334	POWER BUTTON		1			
009	SE09090011	SCREW 1.7		5			
010	SE00000336	PRESET BUTTON HOLDER		1			
011	SE00000337	PRESET BUTTON		1			
012	SE00000325	SCREW PTB 3X8(NI)		3			
013	SE00000339	PCB P ANT BAR ASS'Y		1			
014	SE00000325	SCREW PTB 3X8(NI)		2			
015	SE00000239	KNOB LENS HOLDER		1	*		
015-1	SE00000656	KNOB LENS HOLDER	<	1			
016	SE00000193	SCREW 3X10		2			
017	SE00000343	PCB P USB ASS'Y		1			
018	SE09064161	SCREW M4X16		1			
019	SE00000325	SCREW PTB 3X8(NI)		4			
020	SE09064161	SCREW M4X16		1			
021	SE00000347	FRONT CABINET ASS'Y		1			
022	SE09064161	SCREW M4X16		1			
023	SE00000325	SCREW PTB 3X8(NI)		1			
024	SE09064161	SCREW M4X16		1			
025	SE00000352	FRONT BUMPER		1			
026	SE00000160	SCREW PTHE6X47(CR)		4			
027	SE0338PC5Z	FRONT BAR		2			
028	SE00000355	JACK RUBBER COVER		1			
029	SE00000356	JACK COVER		1			
030	SE21B1110A	ROTARY KNOB RING		1			
031	SE00000243	ROTARY KNOB		1			
032	SE09176166	HEX SCREW M6X16		2			
033	SE00000358	BATTERY BUMPER		1			
034	SE00000360	REAR BUMPER(BLK)		1			
035	SE09176166	HEX SCREW M6X16		2			
036	SE00000363	LOCKER COVER(BLK)		1			
037	SE00000364	LOCKER FIXER PIN 73.5MM		1			
038	SE00000366	LOCK HINGER(BLK)		1			
039	SE00000368	BATTERY COVER(BLK)		1			
040	SE00000369	LOCKER FIXER PIN 64.5MM		1			
041	SE00000325	SCREW PTB 3X8(NI)		2			
042	SE00000371	BATTERY COVER PACKING		1			
043	SE00000248	BACK UP BATTERY COVER		1			
044	SE00000176	SCREW PTHE6X20(CR)		1			

045	SE00000249	HANDLE HOLDER(R)		1		
046	SE00000179	HANDLE		1		
047	SE00000250	HANDLE HOLDER(L)		1		
048	SE00000176	SCREW PTHE6X20(CR)		1		
049	SE09176166	HEX SCREW M6X16		1		
050	SE00000184	SPRING		2		
051	SE09994007	STEEL BALL		2		
052	SE023PC020	EVA 25X18X5.5		1		
053	SE00000445	SCREW PTB 3X45(NI)		1		
054	SE09994007	STEEL BALL		2		
055	SE00000184	SPRING		2		
056	SE09176166	HEX SCREW M6X16		1		
057	SE00000187	HANDLE SUS-PLATE (R)		1		
058	SE00000445	SCREW PTB 3X45(NI)		1		
059	SE00000192	HANDLE SUS-PLATE(L)		1		
060	SE00000393	REAR CABINET(BLK)		1		
061	SE00000395	RUBBER ANT 88-108(BLK)		1		
062	SE00000398	ROD ANT PACKING		1		
063	SE00000396	ROD ANT TERMINAL		1		
064	SE00000325	SCREW PTB 3X8(NI)		1		
065	SE023PC020	EVA 25X18X5.5		1		
066	SE00000403	DC RUBBER COVER		1		
067	SE00000404	SCREW PTHE 3X14(CR)		1		
068	SE021PC030	BATTERY COVER LOCKER		1		
069	SE00000406	SPEAKER PACKING		1		
070	SE00000407	SPEAKER(R)		1		
071	SE00000408	SPEAKER PANEL ASS'Y		1		
072	SE024J9040	PACKING		4		
073	SE9076146A	HEX SCREW M6X14		4		
074	SE9076146A	HEX SCREW M6X14		4		
075	SE024J9040	PACKING		4		
076	SE00000408	SPEAKER PANEL ASS'Y		1		
077	SE00000438	SPEAKER (L)		1		
078	SE00000406	SPEAKER PACKING		1		
079	SE00000416	TERMINAL E (B)		1		
080	SE00000325	SCREW PTB 3X8(NI)		2		
081	SE00000200	TERMINAL C		1		
082	SE00000325	SCREW PTB 3X8(NI)		2		
083	SE00000420	PCB B BATTERY SWITCH ASS'Y		1		
084	SE00000325	SCREW PTB 3X8(NI)		1		
085	SE00000422	SPEAKER HOLDER		1		
086	SE00000423	PCB B AUX IN 2 ASS'Y		1		
087	SE00000193	SCREW 3X10		2		
088	SE00000199	SILICON RUBBER WASHER		1		
089	SE00000325	SCREW PTB 3X8(NI)		1		
090	SE00000199	SILICON RUBBER WASHER		1		
091	SE00000325	SCREW PTB 3X8(NI)		1		
092	SE00000422	SPEAKER HOLDER		1		
093	SE00000430	SWITCH KNOB		1		
094	SE00000431	BATTERY SWITCH ASS'Y		1		
095	SE00000325	SCREW PTB 3X8(NI)		2		
096	SE00000433	PCB B DC JACK ASS'Y		1	*	

096-1	SE00000830	PCB B DC JACK ASS'Y	O	1			
097	SE09090011	SCREW 1.7		2			
098	SE00000435	DC JACK HOLDER		1			
099	SE00000436	TERMIANL G (B)		1			
100	SE00000325	SCREW PTB 3X8(NI)		3			
101	SE00000195	W/TIES 100MM		3			
102	SE024PC040	PACKING		1			
A01	SE00000101	AC ADAPTER		1			

Please state Parts No. when your order.

Print Date 24/10/2023