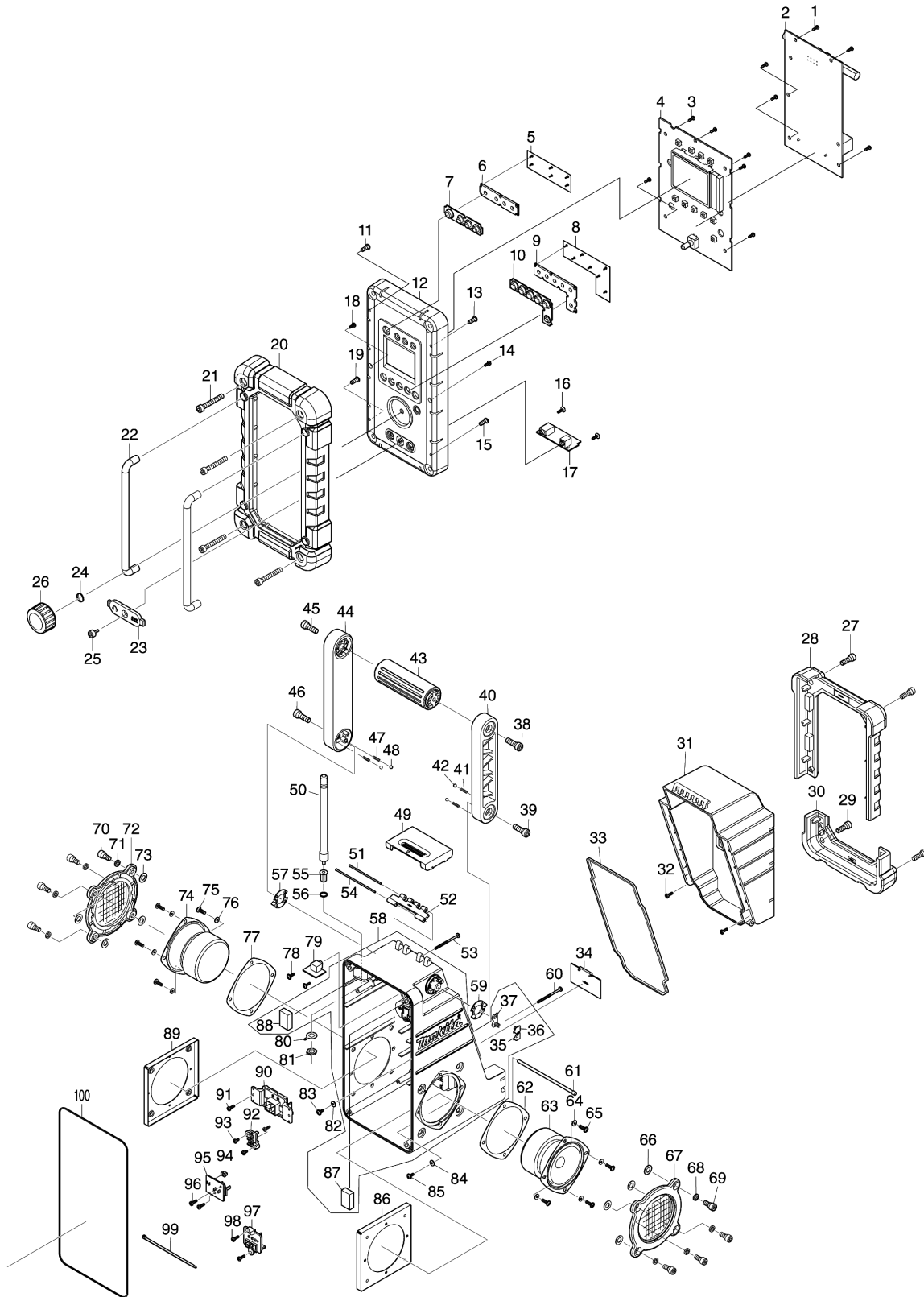


Model No.DMR107 JOB SITE RADIO



Model No.DMR107 JOB SITE RADIO

Item	Parts No.	Description	I/C	Qty	New/Old	Opt. 1	Opt. 2	Note
001	SE00000325	SCREW PTB 3X8(NI)		5				
002	SE00000459	CIRCUIT BOARD A ASSY 05A W02		1	*			
002-1	SE00000826	PCB A ASSEMBLY	O	1				
003	SE00000325	SCREW PTB 3X8(NI)		6				
004	SE00000462	CIRCUIT BOARD C ASSY 07C WA3		1	*			
004-1	SE00000827	PCB C ASSEMBLY	O	1				
005	SE09090011	SCREW 1.7		6				
006	SE020PC020	POWER BUTTON HOLDER		1				
007	SE00000157	POWER BUTTON (GRY)		1				
008	SE09090011	SCREW 1.7		7				
009	SE020PC030	PRESET BUTTON HOLDER		1				
010	SE00000158	PRESET BUTTON (GRY)		1				
011	SE09064161	SCREW M4X16		1				
012	SE00000204	FRONT CABINET ASSY		1				
013	SE09064161	SCREW M4X16		1				
014	SE09163102	SCREW M3X10		1				
015	SE09064161	SCREW M4X16		1				
016	SE00000193	SCREW 3X10		2				
017	SE00000464	PCB-P DC JACK ASSY 07P WA1		1				
018	SE09163102	SCREW M3X10		1				
019	SE09064161	SCREW M4X16		1				
020	SE00000159	FRONT BUMPER		1				
021	SE00000160	SCREW PTHE6X47(CR)		4				
022	SE0338PC5Z	FRONT BAR		2				
023	SE00000042	JACK COVER		1				
024	SE21B1110A	ROTARY KNOB RING		1				
025	SE09173106	HEX SCREW M3X10		1				
026	SE00000465	ROTARY KNOB BLK 3102PC0000040		1				
027	SE09176166	HEX SCREW M6X16		2				
028	SE00000162	BATTERY COVER BUMPER		1				
029	SE09176166	HEX SCREW M6X16		2				
030	SE00000165	REAR BUMPER		1				
031	SE00000166	BATTERY COVER		1				
032	SE00000325	SCREW PTB 3X8(NI)		2				
033	SE00000168	PACKING		1				
034	SE0307PC5Z	BACK UP BATTERY COVER		1				
035	SE00000466	BATTERY CONTACT(+) 2100RA00700		1				
036	SE00000467	BATTERY CONTACT (-)2100PL00200		1				
037	SE021E9030	+/- BATTERY CONTACT ASS'Y		1				
038	SE00000176	SCREW PTHE6X20(CR)		1				
039	SE09176166	HEX SCREW M6X16		1				
040	SE00000177	HANDLE HOLDER(R)		1				

Please order the parts with part number.

Print Date 24/10/2023

Model No.DMR107 JOB SITE RADIO

Item	Parts No.	Description	I/C	Qty	New/Old	Opt. 1	Opt. 2	Note
041	SE00000184	SPRING		2				
042	SE09994007	STEEL BALL		2				
043	SE00000179	HANDLE		1				
044	SE00000180	HANDLE HOLDER (L)		1				
045	SE00000176	SCREW PTHE6X20(CR)		1				
046	SE09176166	HEX SCREW M6X16		1				
047	SE00000184	SPRING		2				
048	SE09994007	STEEL BALL		2				
049	SE00000190	BATTERY COVER LOCKER		1				
050	SE00000191	ROD ANT (BLK)		1				
051	SE021PC050	LOCKER FIXER PIN 62.8		1				
052	SE00000067	LOCKER HINGER		1				
053	SE09163452	SCREW M3X45		1				
054	SE021PC040	LOCKER FIXER PIN 79.5		1				
055	SE021J9032	ROD ANT HOLDER		1				
056	SE024J9050	PACKING		1				
057	SE00000192	HANDLE SUS-PLATE(L)		1				
058	SE00000468	REAR CABINET(BLUE)ASSY 01R WA1		1				
059	SE00000187	HANDLE SUS-PLATE (R)		1				
060	SE09163452	SCREW M3X45		1				
061	SE021PC030	BATTERY COVER LOCKER		1				
062	SE024J9030	PACKING		1				
063	SE01620771	SPEAKER		1				
064	SE024J9070	PACKING		4				
065	SE09090023	SCREW M4X12		4				
066	SE024J9090	PACKING		4				
067	SE00000205	SPEAKER NET ASSY		1				
068	SE024J9040	PACKING		4				
069	SE9076146A	HEX SCREW M6X14		4				
070	SE9076146A	HEX SCREW M6X14		4				
071	SE024J9040	PACKING		4				
072	SE00000205	SPEAKER NET ASSY		1				
073	SE024J9090	PACKING		4				
074	SE01620771	SPEAKER		1				
075	SE09090023	SCREW M4X12		4				
076	SE024J9070	PACKING		4				
077	SE024J9030	PACKING		1				
078	SE00000193	SCREW 3X10		2				
079	SE00000470	PCB F AUX-2 ASS'Y 07FY301		1				
080	SE021PC100	ROD ANT TERMINAL		1				
081	SE021P0020	NUT		1				
082	SE00000199	SILICON RUBBER WASHER		2				
083	SE00000193	SCREW 3X10		2				
084	SE00000199	SILICON RUBBER WASHER		2				
085	SE00000193	SCREW 3X10		1				

Please order the parts with part number.

Print Date 24/10/2023

Model No.DMR107 JOB SITE RADIO

Item	Parts No.	Description	I/C	Qty	New/Old	Opt. 1	Opt. 2	Note
086	SE021J9010	SPEAKER HOLDER		1				
087	SE023PC020	EVA 25X18X5.5		1				
088	SE023PC020	EVA 25X18X5.5		1				
089	SE021J9010	SPEAKER HOLDER		1				
090	SE00000416	TERMINAL E (B)		1				
091	SE00000325	SCREW PTB 3X8(NI)		2				
092	SE00000200	TERMINAL C		1				
093	SE00000325	SCREW PTB 3X8(NI)		2				
094	SE00000430	SWITCH KNOB		1				
095	SE00000472	PCB BATTERY SWITCH ASSY07E WA1		1				
096	SE00000325	SCREW PTB 3X8(NI)		2				
097	SE00000473	TERMINAL 10.8V ASSY 011 WA1		1				
098	SE00000325	SCREW PTB 3X8(NI)		2				
099	SE00000195	W/TIES 100MM		1				
100	SE024PC040	PACKING		1				
A01	SE00000078	AC ADAPTER 3A8D127102B11		1				

Please order the parts with part number.

Print Date 24/10/2023