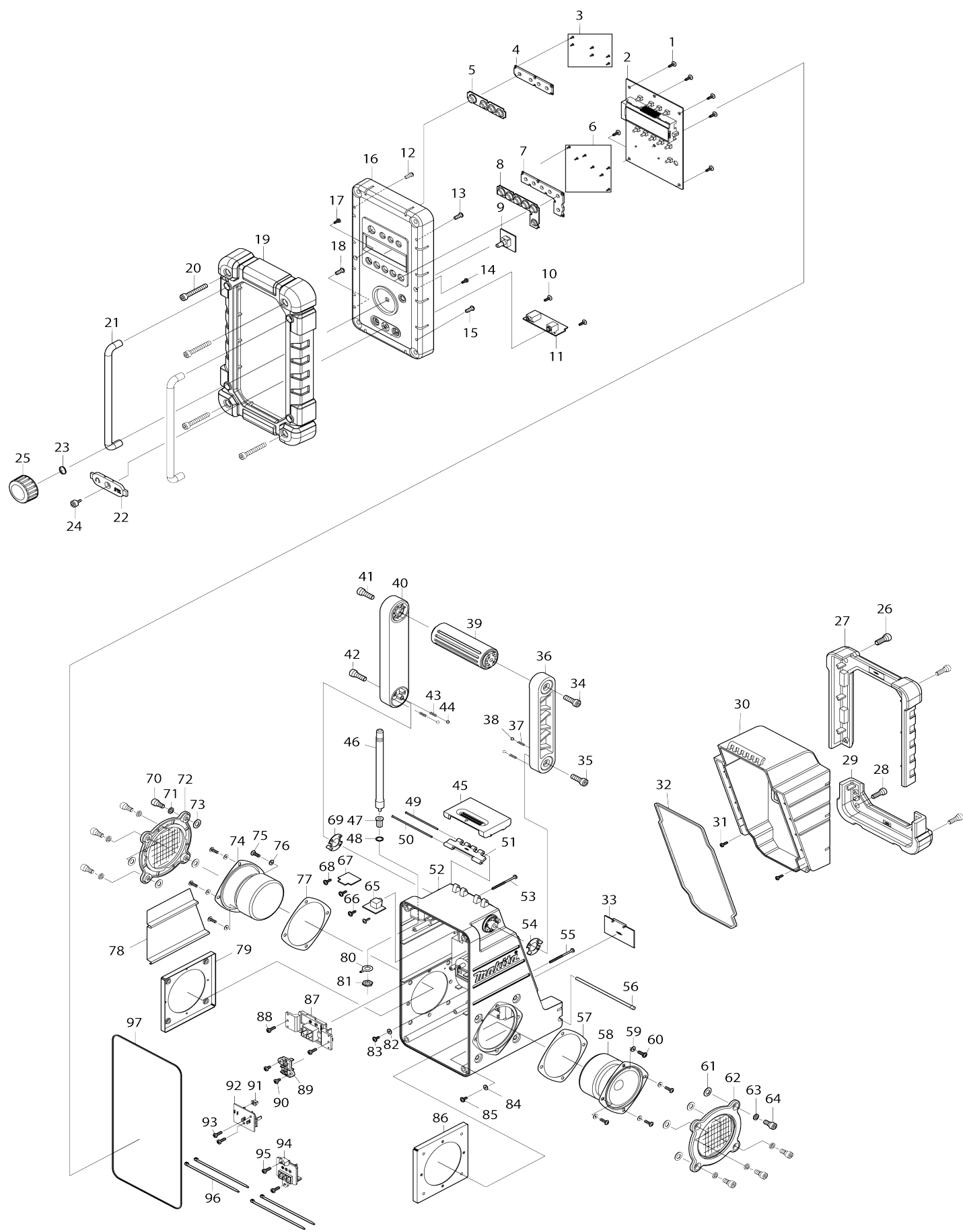


Model No.DMR110 JOB SITE RADIO



Model No.DMR110 JOB SITE RADIO

Item No.	Parts No.	Description	Interchangability	Q'ty	New/Old	Note1	Note2
001	SE00000325	SCREW PTB 3X8(NI)		6			
002	SE00000564	PCB A ASS'Y CE		1	*		
002-1	SE00000564	PCB A ASS'Y CE	<	1	*		
002-2	SE00000824	PCB A ASSEMBLY	O	1			
003	SE09090011	SCREW 1.7		6			
004	SE020PC020	POWER BUTTON HOLDER		1			
005	SE00000274	POWER BUTTON		1			
006	SE09090011	SCREW 1.7		7			
007	SE020PC030	PRESET BUTTON HOLDER		1			
008	SE00000275	PRESET BUTTON		1			
009	SE00000565	PCB-P ENCODER ASS'Y 07DB0A1		1			
010	SE00000193	SCREW 3X10		2			
011	SE00000566	PCB-P DC JACK ASS'Y 07PB0A1		1			
012	SE09064161	SCREW M4X16		1			
013	SE09064161	SCREW M4X16		1			
014	SE00000325	SCREW PTB 3X8(NI)		1			
015	SE09064161	SCREW M4X16		1			
016	SE00000568	FRONT CABINET ASS'Y CE 01FB0A2		1	*		
016-1	SE00000308	FRONT CABINET ASS'Y	X	1			
017	SE00000325	SCREW PTB 3X8(NI)		1			
018	SE09064161	SCREW M4X16		1			
019	SE00000159	FRONT BUMPER		1			
020	SE00000160	SCREW PTHE6X47(CR)		4			
021	SE0338PC5Z	FRONT BAR		2			
022	SE00000042	JACK COVER		1			
023	SE21B1110A	ROTARY KNOB RING		1			
024	SE09173106	HEX SCREW M3X10		1			
025	SE00000465	ROTARY KNOB BLK 3102PC0000040		1			
026	SE09176166	HEX SCREW M6X16		2			
027	SE00000162	BATTERY COVER BUMPER		1			
028	SE09176166	HEX SCREW M6X16		2			
029	SE00000165	REAR BUMPER		1			
030	SE00000166	BATTERY COVER		1			
031	SE00000325	SCREW PTB 3X8(NI)		2			
032	SE00000168	PACKING		1			
033	SE00000570	BACK UP BATTERY COVER (BLUE) 3		1			
034	SE00000176	SCREW PTHE6X20(CR)		1			
035	SE09176166	HEX SCREW M6X16		1			
036	SE00000177	HANDLE HOLDER(R)		1			
037	SE00000184	SPRING		2			
038	SE09994007	STEEL BALL		2			
039	SE00000179	HANDLE		1			
040	SE00000180	HANDLE HOLDER (L)		1			
041	SE00000176	SCREW PTHE6X20(CR)		1			
042	SE09176166	HEX SCREW M6X16		1			

043	SE00000184	SPRING		2		
044	SE09994007	STEEL BALL		2		
045	SE00000190	BATTERY COVER LOCKER		1		
046	SE00000284	RUBBER ANT 174-240(BLACK)		1		
047	SE021J9032	ROD ANT HOLDER		1		
048	SE024J9050	PACKING		1		
049	SE021PC050	LOCKER FIXER PIN 62.8		1		
050	SE021PC040	LOCKER FIXER PIN 79.5		1		
051	SE00000067	LOCKER HINGER		1		
052	SE00000577	REAR CABINET(BLU) ASS'Y01RB0 A5		1		
053	SE09163452	SCREW M3X45		1		
054	SE00000187	HANDLE SUS-PLATE (R)		1		
055	SE09163452	SCREW M3X45		1		
056	SE021PC030	BATTERY COVER LOCKER		1		
057	SE024J9030	PACKING		1		
058	SE01620771	SPEAKER		1		
059	SE024J9070	PACKING		4		
060	SE09090023	SCREW M4X12		4		
061	SE024J9090	PACKING		4		
062	SE00000205	SPEAKER NET ASSY		1		
063	SE024J9040	PACKING		4		
064	SE9076146A	HEX SCREW M6X14		4		
065	SE00000579	PCB-P AUX ASS'Y 07BB0A1		1		
066	SE00000193	SCREW 3X10		2		
067	SE00000285	PCB-G USB ASS'Y		1		
068	SE00000193	SCREW 3X10		2		
069	SE00000192	HANDLE SUS-PLATE(L)		1		
070	SE9076146A	HEX SCREW M6X14		4		
071	SE024J9040	PACKING		4		
072	SE00000205	SPEAKER NET ASSY		1		
073	SE024J9090	PACKING		4		
074	SE01620771	SPEAKER		1		
075	SE09090023	SCREW M4X12		4		
076	SE024J9070	PACKING		4		
077	SE024J9030	PACKING		1		
078	SE00000291	GROUND PLATE		1		
079	SE021J9010	SPEAKER HOLDER		1		
080	SE021PC100	ROD ANT TERMINAL		1		
081	SE021P0020	NUT		1		
082	SE00000199	SILICON RUBBER WASHER		2		
083	SE00000193	SCREW 3X10		2		
084	SE00000199	SILICON RUBBER WASHER		2		
085	SE00000193	SCREW 3X10		1		
086	SE021J9010	SPEAKER HOLDER		1		
087	SE00000416	TERMINAL E (B)		1		
088	SE00000325	SCREW PTB 3X8(NI)		2		
089	SE00000200	TERMINAL C		1		
090	SE00000325	SCREW PTB 3X8(NI)		2		
091	SE00000430	SWITCH KNOB		1		
092	SE00000580	PCB E ASS'Y 07EB0A1		1		
093	SE00000325	SCREW PTB 3X8(NI)		2		

094	SE00000473	TERMINAL 10.8V ASSY 011 WA1		1		
095	SE00000325	SCREW PTB 3X8(NI)		2		
096	SE00000195	W/TIES 100MM		4		
097	SE024PC040	PACKING		1		
A01	SE00000265	AC ADAPTER		1		

Please state Parts No. when your order.

Print Date 24/10/2023