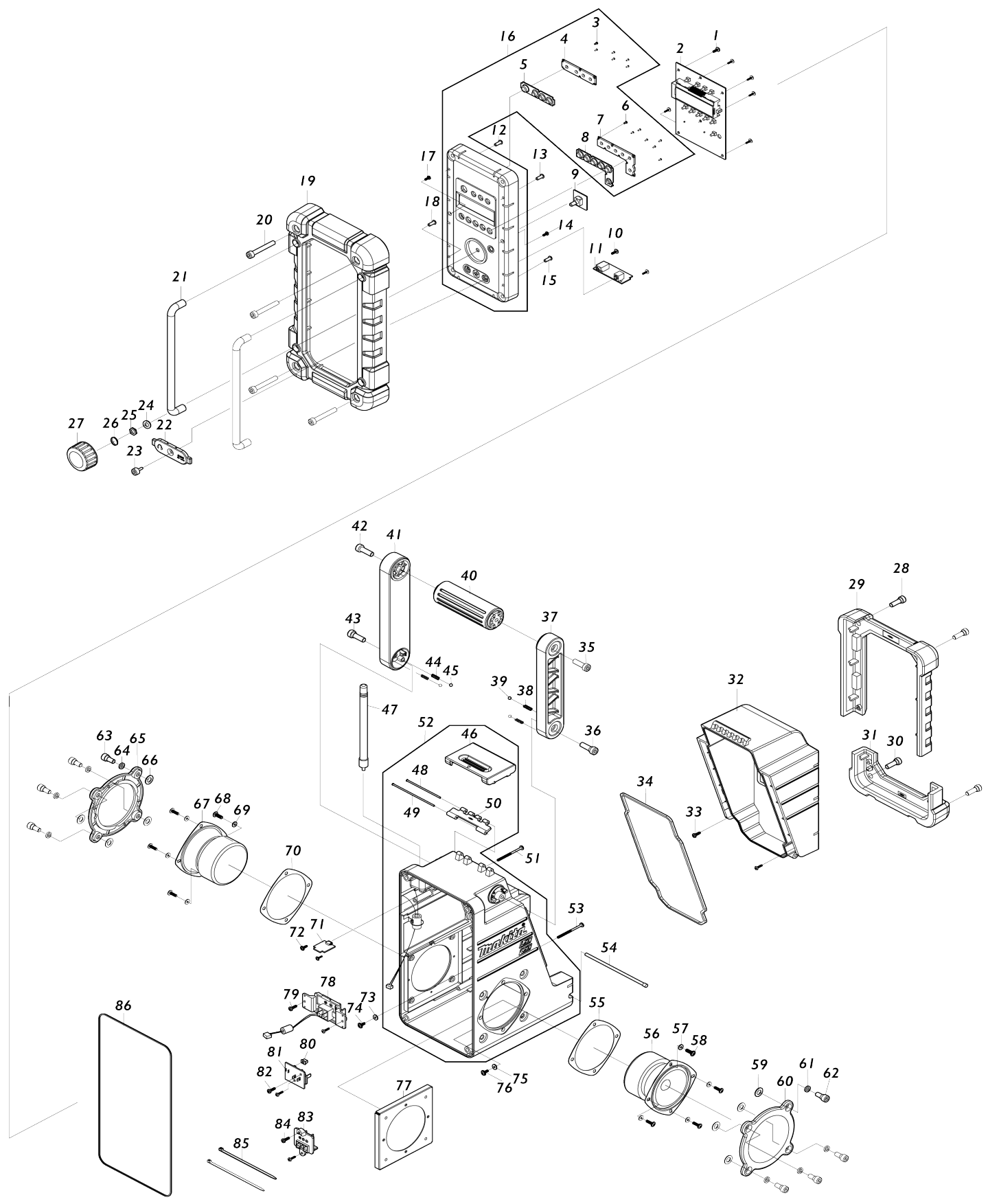


# Model No.DMR110N JOB SITE RADIO



Model No.DMR110N JOB SITE RADIO

| Item No. | Parts No.  | Description                   | Interchangability | Q'ty | New/Old | Note1 | Note2 |
|----------|------------|-------------------------------|-------------------|------|---------|-------|-------|
| 001      | SE00000325 | SCREW PTB 3X8(NI)             |                   | 6    |         |       |       |
| 002      | SE00001087 | PCB A ASS'Y                   |                   | 1    |         |       |       |
| 003      | SE09090011 | SCREW 1.7                     |                   | 6    |         |       |       |
| 004      | SE020PC020 | POWER BUTTON HOLDER           |                   | 1    |         |       |       |
| 005      | SE00000274 | POWER BUTTON                  |                   | 1    |         |       |       |
| 006      | SE09090011 | SCREW 1.7                     |                   | 7    |         |       |       |
| 007      | SE020PC030 | PRESET BUTTON HOLDER          |                   | 1    |         |       |       |
| 008      | SE00000275 | PRESET BUTTON                 |                   | 1    |         |       |       |
| 009      | SE00001088 | PCB P ENCODER ASS'Y           |                   | 1    |         |       |       |
| 010      | SE00000193 | SCREW 3X10                    |                   | 2    |         |       |       |
| 011      | SE00001089 | PCB P DC JACK ASS'Y           |                   | 1    |         |       |       |
| 012      | SE09064161 | SCREW M4X16                   |                   | 1    |         |       |       |
| 013      | SE09064161 | SCREW M4X16                   |                   | 1    |         |       |       |
| 014      | SE00000325 | SCREW PTB 3X8(NI)             |                   | 1    |         |       |       |
| 015      | SE09064161 | SCREW M4X16                   |                   | 1    |         |       |       |
| 016      | SE00001090 | FRONT CABINET ASS'Y           |                   | 1    |         |       |       |
| D10      |            | INC. 3-8                      |                   |      |         |       |       |
| 017      | SE00000325 | SCREW PTB 3X8(NI)             |                   | 1    |         |       |       |
| 018      | SE09064161 | SCREW M4X16                   |                   | 1    |         |       |       |
| 019      | SE00000159 | FRONT BUMPER                  |                   | 1    |         |       |       |
| 020      | SE00000160 | SCREW PTHE6X47(CR)            |                   | 4    |         |       |       |
| 021      | SE0338PC5Z | FRONT BAR                     |                   | 2    |         |       |       |
| 022      | SE00000042 | JACK COVER                    |                   | 1    |         |       |       |
| 023      | SE09173106 | HEX SCREW M3X10               |                   | 1    |         |       |       |
| 024      | SE00000754 | EN/SW WASHER                  |                   | 1    |         |       |       |
| 025      | SE00000755 | EN/SW NUT                     |                   | 1    |         |       |       |
| 026      | SE21B1110A | ROTARY KNOB RING              |                   | 1    |         |       |       |
| 027      | SE00000465 | ROTARY KNOB BLK 3102PC0000040 |                   | 1    |         |       |       |
| 028      | SE09176166 | HEX SCREW M6X16               |                   | 2    |         |       |       |
| 029      | SE00000162 | BATTERY COVER BUMPER          |                   | 1    |         |       |       |
| 030      | SE09176166 | HEX SCREW M6X16               |                   | 2    |         |       |       |
| 031      | SE00000165 | REAR BUMPER                   |                   | 1    |         |       |       |
| 032      | SE00000166 | BATTERY COVER                 |                   | 1    |         |       |       |
| 033      | SE00000325 | SCREW PTB 3X8(NI)             |                   | 2    |         |       |       |
| 034      | SE00000168 | PACKING                       |                   | 1    |         |       |       |
| 035      | SE00000176 | SCREW PTHE6X20(CR)            |                   | 1    |         |       |       |
| 036      | SE09176166 | HEX SCREW M6X16               |                   | 1    |         |       |       |
| 037      | SE00000177 | HANDLE HOLDER(R)              |                   | 1    |         |       |       |
| 038      | SE00000184 | SPRING                        |                   | 2    |         |       |       |
| 039      | SE09994007 | STEEL BALL                    |                   | 2    |         |       |       |
| 040      | SE00000179 | HANDLE                        |                   | 1    |         |       |       |
| 041      | SE00000180 | HANDLE HOLDER (L)             |                   | 1    |         |       |       |
| 042      | SE00000176 | SCREW PTHE6X20(CR)            |                   | 1    |         |       |       |
| 043      | SE09176166 | HEX SCREW M6X16               |                   | 1    |         |       |       |
| 044      | SE00000184 | SPRING                        |                   | 2    |         |       |       |
| 045      | SE09994007 | STEEL BALL                    |                   | 2    |         |       |       |
| 046      | SE00000190 | BATTERY COVER LOCKER          |                   | 1    |         |       |       |

|     |            |                             |  |   |  |  |
|-----|------------|-----------------------------|--|---|--|--|
| 047 | SE00000284 | RUBBER ANT 174-240(BLACK)   |  | 1 |  |  |
| 048 | SE021PC050 | LOCKER FIXER PIN 62.8       |  | 1 |  |  |
| 049 | SE021PC040 | LOCKER FIXER PIN 79.5       |  | 1 |  |  |
| 050 | SE00000067 | LOCKER HINGER               |  | 1 |  |  |
| 051 | SE09163452 | SCREW M3X45                 |  | 1 |  |  |
| 052 | SE00001091 | REAR CABINET ASS'Y(BLUE)    |  | 1 |  |  |
| D10 |            | INC. 46,48-50               |  |   |  |  |
| 053 | SE09163452 | SCREW M3X45                 |  | 1 |  |  |
| 054 | SE021PC030 | BATTERY COVER LOCKER        |  | 1 |  |  |
| 055 | SE024J9030 | PACKING                     |  | 1 |  |  |
| 056 | SE00001093 | SPEAKER RIGHT               |  | 1 |  |  |
| 057 | SE024J9070 | PACKING                     |  | 4 |  |  |
| 058 | SE09090023 | SCREW M4X12                 |  | 4 |  |  |
| 059 | SE024J9090 | PACKING                     |  | 4 |  |  |
| 060 | SE00000205 | SPEAKER NET ASSY            |  | 1 |  |  |
| 061 | SE024J9040 | PACKING                     |  | 4 |  |  |
| 062 | SE9076146A | HEX SCREW M6X14             |  | 4 |  |  |
| 063 | SE9076146A | HEX SCREW M6X14             |  | 4 |  |  |
| 064 | SE024J9040 | PACKING                     |  | 4 |  |  |
| 065 | SE00000205 | SPEAKER NET ASSY            |  | 1 |  |  |
| 066 | SE024J9090 | PACKING                     |  | 4 |  |  |
| 067 | SE00001094 | SPEAKER LEFT                |  | 1 |  |  |
| 068 | SE09090023 | SCREW M4X12                 |  | 4 |  |  |
| 069 | SE024J9070 | PACKING                     |  | 4 |  |  |
| 070 | SE024J9030 | PACKING                     |  | 1 |  |  |
| 071 | SE00000674 | PCB G UPDATE USB ASS'Y      |  | 1 |  |  |
| 072 | SE00000193 | SCREW 3X10                  |  | 2 |  |  |
| 073 | SE00000199 | SILICON RUBBER WASHER       |  | 1 |  |  |
| 074 | SE00000193 | SCREW 3X10                  |  | 1 |  |  |
| 075 | SE00000199 | SILICON RUBBER WASHER       |  | 1 |  |  |
| 076 | SE00000193 | SCREW 3X10                  |  | 1 |  |  |
| 077 | SE021J9010 | SPEAKER HOLDER              |  | 1 |  |  |
| 078 | SE00001095 | LXT TERMINAL                |  | 1 |  |  |
| 079 | SE00000325 | SCREW PTB 3X8(NI)           |  | 2 |  |  |
| 080 | SE00000430 | SWITCH KNOB                 |  | 1 |  |  |
| 081 | SE00001096 | PCB P BATTERY SWITCH ASS'Y  |  | 1 |  |  |
| 082 | SE00000325 | SCREW PTB 3X8(NI)           |  | 2 |  |  |
| 083 | SE00000473 | TERMINAL 10.8V ASSY 011 WA1 |  | 1 |  |  |
| 084 | SE00000325 | SCREW PTB 3X8(NI)           |  | 2 |  |  |
| 085 | SE00000195 | W/TIES 100MM                |  | 2 |  |  |
| 086 | SE024PC040 | PACKING                     |  | 1 |  |  |
| A01 | SE00000265 | AC ADAPTER                  |  | 1 |  |  |

Please state Parts No. when your order.

Print Date 24/10/2023