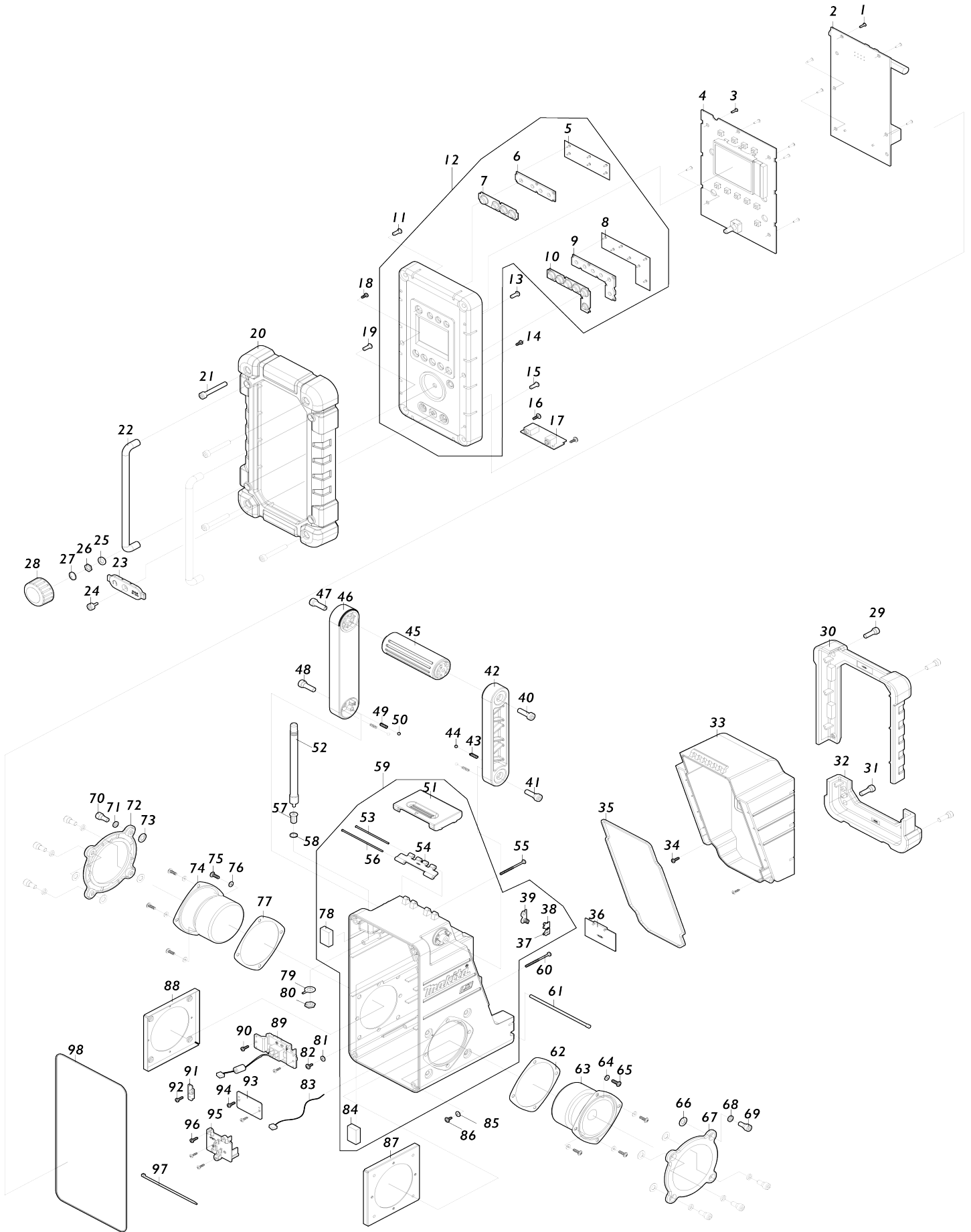


Model No.DMR116 JOB SITE RADIO



Model No.DMR116 JOB SITE RADIO

Item No.	Parts No.	Description	Interchangability	Q'ty	New/Old	Note1	Note2
001	SE00000325	SCREW PTB 3X8(NI)		5			
002	SE00001073	PCB A ASS'Y		1			
003	SE00000325	SCREW PTB 3X8(NI)		6			
004	SE00001075	PCB C ASS'Y		1			
005	SE09090011	SCREW 1.7		6			
006	SE020PC020	POWER BUTTON HOLDER		1			
007	SE00000157	POWER BUTTON (GRY)		1			
008	SE09090011	SCREW 1.7		7			
009	SE020PC030	PRESET BUTTON HOLDER		1			
010	SE00000158	PRESET BUTTON (GRY)		1			
011	SE09064161	SCREW M4X16		1			
012	SE00001077	FRONT CABINET ASS'Y		1			
D10		INC. 5-10					
013	SE09064161	SCREW M4X16		1			
014	SE09163102	SCREW M3X10		1			
015	SE09064161	SCREW M4X16		1			
016	SE00000193	SCREW 3X10		2			
017	SE00000464	PCB-P DC JACK ASSY 07P WA1		1			
018	SE09163102	SCREW M3X10		1			
019	SE09064161	SCREW M4X16		1			
020	SE00000159	FRONT BUMPER		1			
021	SE00000160	SCREW PTHE6X47(CR)		4			
022	SE0338PC5Z	FRONT BAR		2			
023	SE00000042	JACK COVER		1			
024	SE09173106	HEX SCREW M3X10		1			
025	SE00000754	EN/SW WASHER		1			
026	SE00000755	EN/SW NUT		1			
027	SE21B1110A	ROTARY KNOB RING		1			
028	SE00000465	ROTARY KNOB BLK 3102PC0000040		1			
029	SE09176166	HEX SCREW M6X16		2			
030	SE00000162	BATTERY COVER BUMPER		1			
031	SE09176166	HEX SCREW M6X16		2			
032	SE00000165	REAR BUMPER		1			
033	SE00000166	BATTERY COVER		1			
034	SE00000325	SCREW PTB 3X8(NI)		2			
035	SE00000168	PACKING		1			
036	SE0307PC5Z	BACK UP BATTERY COVER		1			
037	SE00000466	BATTERY CONTACT(+) 2100RA00700		1			
038	SE00000467	BATTERY CONTACT (-)2100PL00200		1			
039	SE021E9030	+/- BATTERY CONTACT ASS'Y		1			
040	SE00000176	SCREW PTHE6X20(CR)		1			
041	SE09176166	HEX SCREW M6X16		1			
042	SE00000177	HANDLE HOLDER(R)		1			
043	SE00000184	SPRING		2			
044	SE09994007	STEEL BALL		2			

045	SE00000179	HANDLE		1		
046	SE00000180	HANDLE HOLDER (L)		1		
047	SE00000176	SCREW PTHE6X20(CR)		1		
048	SE09176166	HEX SCREW M6X16		1		
049	SE00000184	SPRING		2		
050	SE09994007	STEEL BALL		2		
051	SE00000190	BATTERY COVER LOCKER		1		
052	SE00000191	ROD ANT (BLK)		1		
053	SE021PC050	LOCKER FIXER PIN 62.8		1		
054	SE00000067	LOCKER HINGER		1		
055	SE09163452	SCREW M3X45		1		
056	SE021PC040	LOCKER FIXER PIN 79.5		1		
057	SE021J9032	ROD ANT HOLDER		1		
058	SE024J9050	PACKING		1		
059	SE00001078	REAR CABINET ASS'Y		1	*	
D10		INC.37-39,51,53,54,56,78,84				
059-1	SE00001078	REAR CABINET ASS'Y	X	1		
D10		INC.37-39,51,53,54,56,78,83,84				
060	SE09163452	SCREW M3X45		1		
061	SE021PC030	BATTERY COVER LOCKER		1		
062	SE024J9030	PACKING		1		
063	SE01620771	SPEAKER		1		
064	SE024J9070	PACKING		4		
065	SE09090023	SCREW M4X12		4		
066	SE024J9090	PACKING		4		
067	SE00000205	SPEAKER NET ASSY		1		
068	SE024J9040	PACKING		4		
069	SE9076146A	HEX SCREW M6X14		4		
070	SE9076146A	HEX SCREW M6X14		4		
071	SE024J9040	PACKING		4		
072	SE00000205	SPEAKER NET ASSY		1		
073	SE024J9090	PACKING		4		
074	SE01620771	SPEAKER		1		
075	SE09090023	SCREW M4X12		4		
076	SE024J9070	PACKING		4		
077	SE024J9030	PACKING		1		
078	SE023PC020	EVA 25X18X5.5		1		
079	SE021PC100	ROD ANT TERMINAL		1		
080	SE021P0020	NUT		1		
081	SE00000199	SILICON RUBBER WASHER		1		
082	SE00000193	SCREW 3X10		1		
083	SE00000587	LEAD WIRE W/CONNECTOR 170 MM		1		
084	SE023PC020	EVA 25X18X5.5		1		
085	SE00000199	SILICON RUBBER WASHER		1		
086	SE00000193	SCREW 3X10		1		
087	SE021J9010	SPEAKER HOLDER		1		
088	SE021J9010	SPEAKER HOLDER		1		
089	SE00001080	TERMINAL E ASS'Y		1		
090	SE00000325	SCREW PTB 3X8(NI)		2		
091	SE00001081	PCB G ASS'Y		1		
092	SE00000325	SCREW PTB 3X8(NI)		1		

093	SE00001082	PCB E ASS'Y		1		
094	SE00000325	SCREW PTB 3X8(NI)		2		
095	SE00001083	TERMINAL G ASS'Y		1		
096	SE00000325	SCREW PTB 3X8(NI)		3		
097	SE00000195	W/TIES 100MM		1		
098	SE024PC040	PACKING		1		
A01	SE00000078	AC ADAPTER 3A8D127102B11		1		

Please state Parts No. when your order.

Print Date 24/10/2023