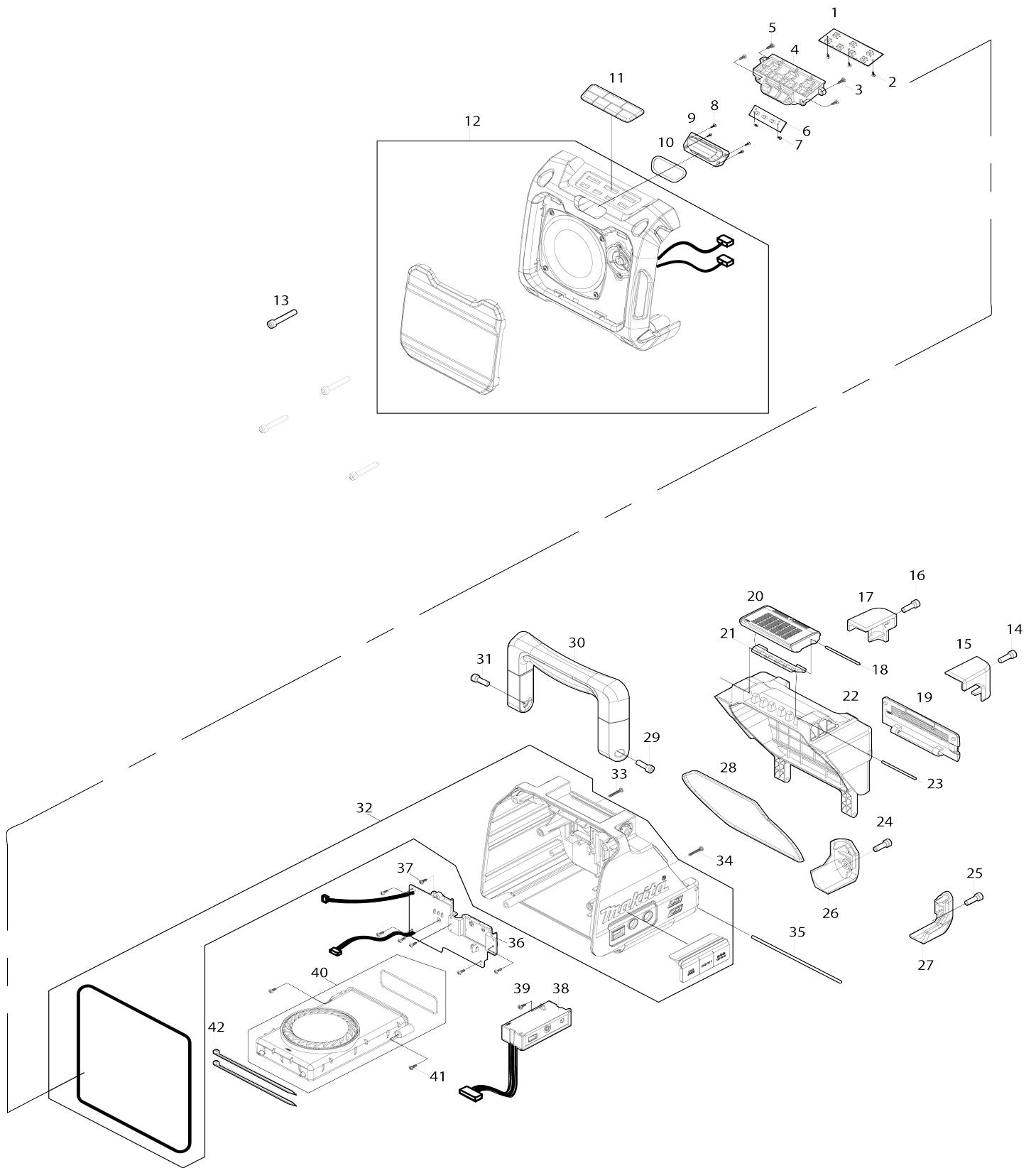


Model No.DMR200 CORDLESS JOB SITE SPEAKER



Model No.DMR200 CORDLESS JOB SITE SPEAKER

Item No.	Parts No.	Description	Interchangability	Q'ty	New/Old	Note1	Note2
001	SE00000519	PCB B ASS'Y(KEY BOARD) 07BB3A1		1			
002	SE00000520	SCREW PTPW 2X6(NI) 29S15106002		3			
003	SE00000521	SCREW PTB 3X8(ZK) 29S16308001		2			
004	SE00000522	RUBBER KEY HOLDER 2000B300100		1			
005	SE00000521	SCREW PTB 3X8(ZK) 29S16308001		2			
006	SE00000523	PCB A LED ASS'Y 09DB3A1		1			
007	SE00000520	SCREW PTPW 2X6(NI) 29S15106002		2			
008	SE00000520	SCREW PTPW 2X6(NI) 29S15106002		4			
009	SE00000524	LED LENS 3290B30000010		1			
010	SE00000525	LED LENS PACKING 2400B300500		1			
011	SE00000526	RUBBERE KEY 3100B30000010		1			
012	SE00000527	FRONT CABINET ASS'Y-BLUE 01FB3		1	*		
C10	SE00000529	SPEAKER GRILL 3230B30000010		1	*		
012-1	SE00000626	FRONT CABINET ASS'Y BLUE	S	1			
C10	SE00000630	SPEAKER GRILL	S	1			
013	SE00000530	SCREW PTHE 6X37(CR) 29S1793701		4			
014	SE09176166	HEX SCREW M6X16		1			
015	SE00000531	BATTERY BUMPER R 3163B30000010		1			
016	SE09176166	HEX SCREW M6X16		1			
017	SE00000532	BATTERY BUMPER L 3162B30000010		1			
018	SE00000533	PIN D2X88 2100B300100		1			
019	SE00000534	PHONE COVER ASS'Y 011B3A5		1			
020	SE00000535	LOCKER COVER 3121B30000010		1			
021	SE00000536	LOCKER HINGE 3300B30000010		1			
022	SE00000537	BATTERY COVER (BLUE) 3120B3000		1			
023	SE00000539	PIN D2X77 2100B300200		1			
024	SE09176166	HEX SCREW M6X16		1			
025	SE09176166	HEX SCREW M6X16		1			
026	SE00000540	REAR BUMPER L 3160B30000010		1			
027	SE00000541	REAR BUMPER R 3161B30000010		1			
028	SE00000542	BATTERY PACKING 2400B300200		1			
029	SE09176166	HEX SCREW M6X16		1			
030	SE00000543	HANDLE ASS'Y-BLUE 01HB3A1		1			
031	SE09176166	HEX SCREW M6X16		1			
032	SE00000545	REAR ASS'Y BLUE 01RB3A1		1	*		
C10	SE00000547	JACK RUBBER COVER 3126B3000001		1	*		
C20	SE024PC040	PACKING		1	*		
032-1	SE00000788	REAR ASS'Y BLUE	O	1			

C11	SE00000787	JACK RUBBER COVER	X	1	*		
C12	SE00000810	JACK RUBBER COVER	O	1			
C20	SE024PC040	PACKING		1			
033	SE00000548	SCREW PTB 3X20(ZK) 29S099900 47		1			
034	SE00000548	SCREW PTB 3X20(ZK) 29S099900 47		1			
035	SE00000549	BATTERY COVER FIXER PIN 2100 b3		1			
036	SE00000552	PCB A ASS'Y OTHERS 07AB3A6		1	*		
036-1	SE00000592	PCB A ASS'Y	O	1	*		
036-2	SE00000592	PCB A ASS'Y	O	1			
037	SE00000521	SCREW PTB 3X8(ZK) 29S1630800 1		7			
038	SE00000553	JACK HOLDER ASS'Y-BLUE 011B3 A6		1			
039	SE00000521	SCREW PTB 3X8(ZK) 29S1630800 1		1			
040	SE00000555	MOBILE-PHONE-CASE ASS'Y 011 B3A		1			
C10	SE00000556	PHONE CASE PACKING 2400B30 0400		1			
041	SE00000557	SCREW PTPW 3X10(ZK) 29S15310 00		2			
042	SE00000195	W/TIES 100MM		2			
A01	SE00000501	AC ADAPTER (CE) 3A8A12C133B1 1		1	*		
A01-1	SE00000792	AC ADAPTER (CE)	O	1			

Please state Parts No. when your order.

Print Date 24/10/2023