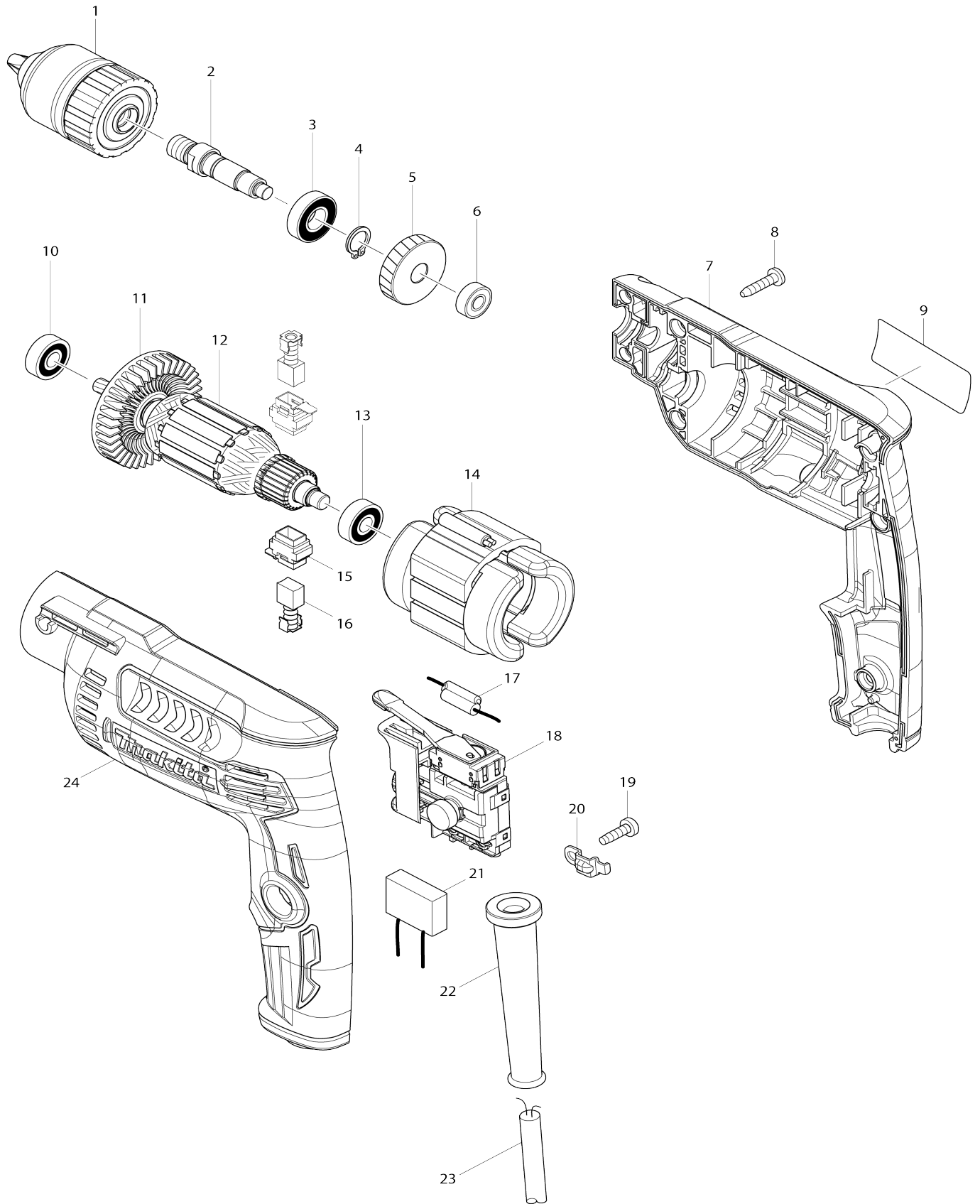


# Model No.DP2011 6.5MM HIGH SPEED DRILL



**Model No.DP2011 6.5MM HIGH SPEED DRILL**

Item No.	Parts No.	Description	Interchangability	Q'ty	New/Old	Note1	Note2
001	193203-4	KEYLESS DRILL CHUCK		1			
002	326280-3	SPINDLE		1			
003	210087-6	BALL BEARING 6900LLB		1			
004	961006-2	RETAINING RING S-10		1			
005	227776-6	HELICAL GEAR 34		1			
006	210033-9	BALL BEARING 696ZZ		1			
007	187620-8	HOUSING SET		1			
C10	252175-3	HEX. NUT M5		1			
D10		INC. 24					
008	266326-2	TAPPING SCREW 4X18		7			
009	814K61-8	DP2011 NAME PLATE		1			
010	210017-7	BALL BEARING 607DDW		1			
011	240066-0	FAN 52		1			
012	517694-9	ARMATURE ASS'Y 240V		1			
D10		INC. 10,11,13					
013	210062-2	BALL BEARING 607ZZ		1			
014	521769-8	FIELD ASS'Y 240V		1			
C10	654069-2	RECEPTACLE		1	*		
C11	654086-2	RECEPTACLE	O	1			
015	643936-6	BRUSH HOLDER		2			
016	191962-4	CARBON BRUSH CB-419		1			
017	646047-6	CHOKE COIL		1			
018	650706-6	SWITCH		1			
019	266385-6	TAPPING SCREW 4X14		1			
020	687681-3	STRAIN RELIEF		1			
021	645190-8	NOISE SUPPRESSOR		1			
022	682569-2	CORD GUARD 8-85		1			
023	665383-1	POWER SUPPLY CORD 1.0-2-2.0		1			
024	187620-8	HOUSING SET		1			
C10	252175-3	HEX. NUT M5		1			
D10		INC. 7					
A01	196322-5	DEPTH GAUGE SET		1			
C10	265761-1	THUMB SCREW M5X16		1			
C20	286224-4	CAP 12		1			
C30	322177-4	DEPTH ROD		1			
C40	343525-4	STOPPER POLE RETAINER		1			

Please state Parts No. when your order.

Print Date 24/10/2023