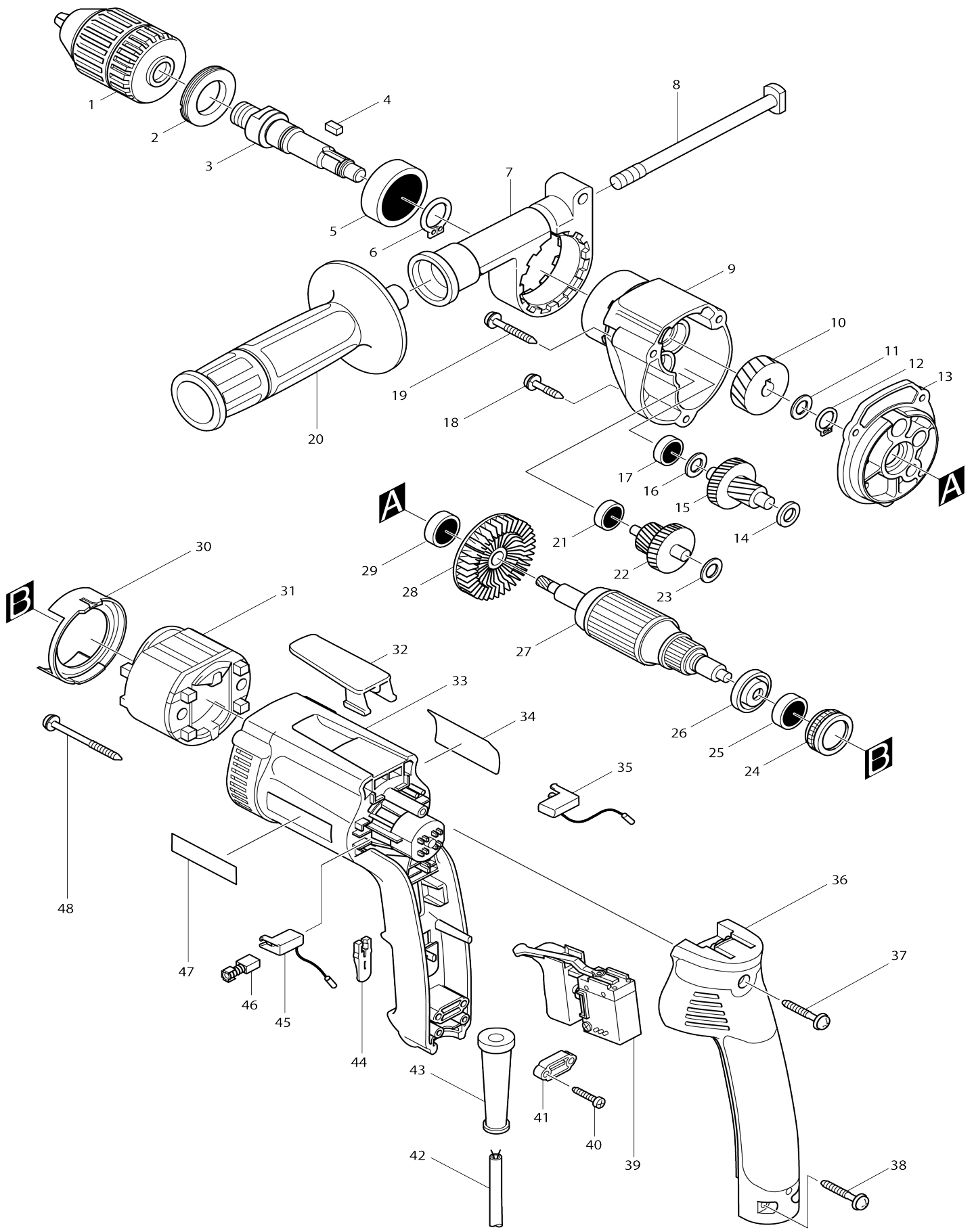


Model No.DP4001 DRILL 13MM



Model No.DP4001 DRILL 13MM

Item No.	Parts No.	Description	Interchangability	Q'ty	New/Old	Note1	Note2
001	192956-2	KEYLESS DRILL CHUCK		1			
002	285807-7	BEARING RETAINER 22-36		1			
003	324039-2	SPINDLE		1			
004	254202-2	KEY 4		1			
005	211206-7	BALL BEARING 6202LLB		1			
006	961055-9	RETAINING RING S-15		1			
007	317401-8	GRIP BASE		1			
008	266261-4	BOLT M8X130		1			
009	317397-3	GEAR HOUSING		1			
010	226529-0	HELICAL GEAR 26		1			
011	267143-3	FLAT WASHER 11		1			
012	961051-7	RETAINING RING S-11		1			
013	152639-6	GEAR HOUSING COVER COMPLETE		1			
C10	212004-2	NEEDLE BEARING 810		1			
C20	212016-5	NEEDLE BEARING 609		2			
014	253804-1	FLAT WASHER 6		1			
015	226136-9	GEAR COMPLETE 7-32		1			
016	253133-2	FLAT WASHER 7		1			
017	211021-9	BALL BEARING 607LLB		1			
018	266050-7	TAPPING SCREW 4X30		1			
019	266069-6	TAPPING SCREW 4X45		2			
020	152521-9	GRIP 36 COMPLETE		1			
021	211012-0	BALL BEARING 606ZZ		1			
022	226137-7	GEAR COMPLETE 20-34		1			
023	253804-1	FLAT WASHER 6		1			
024	421479-6	RUBBER RING 19		1			
025	211021-9	BALL BEARING 607LLB		1			
026	681636-0	INSULATION WASHER		1			
027A_	517358-5	ARMATURE ASS'Y 220-240V		1			
D10		INC. 25,26,28,29					
028	241873-4	FAN 55		1			
029	211031-6	BALL BEARING 608LLB		1			
030	417356-8	BAFFLE PLATE		1			
031A_	633468-1	FIELD 220-240V		1			
032	416996-9	HOOK		1	*		
032-1	417625-7	HOOK	X	1			
033	183270-7	MOTOR HOUSING SET		1			
D10		INC. 47					
034	852496-9	Name plate DP4001		1			
035	643951-0	BRUSH HOLDER		1			
036	152641-9	HANDLE COVER COMPLETE		1			
C10	263002-9	RUBBER PIN 4		2			
037	265999-8	TAPPING SCREW 4X25		1			
038	265999-8	TAPPING SCREW 4X25		2			
039	651991-4	SWITCH C3MA-2L-L		1	*		
039-1	651991-4	SWITCH C3MA-2L-L	O	1			
040	265995-6	TAPPING SCREW 4X18		2			

041B_	687052-4	STRAIN RELIEF		1		
042D_	665394-6	POWER SUPPLY CORD 1.0-2-2.5		1		
043	682559-5	CORD GUARD 8		1		
044	417358-4	SLIDE LEVER		1		
045	643948-9	BRUSH HOLDER		1		
046A_	191962-4	CARBON BRUSH CB-419		1		
047	819063-3	MAKITA LABEL		1		
048	266060-4	TAPPING SCREW 4X65		2		
049	442134-7	GASKET		1		
B01	134903-7	GRIP 36 ASS'Y		1		
D10		INC. 7,8,20				
E02	645200-1	NOISE SUPPRESSOR		1	*	
E02-1	645105-5	NOISE SUPPRESSOR	<	1		
E03	646343-2	LINE COIL		1	*	
E01	824595-7	PLASTIC CARRYING CASE		1		
C10	417059-4	LATCH		2		

Please state Parts No. when your order.

Print Date 16/10/2023