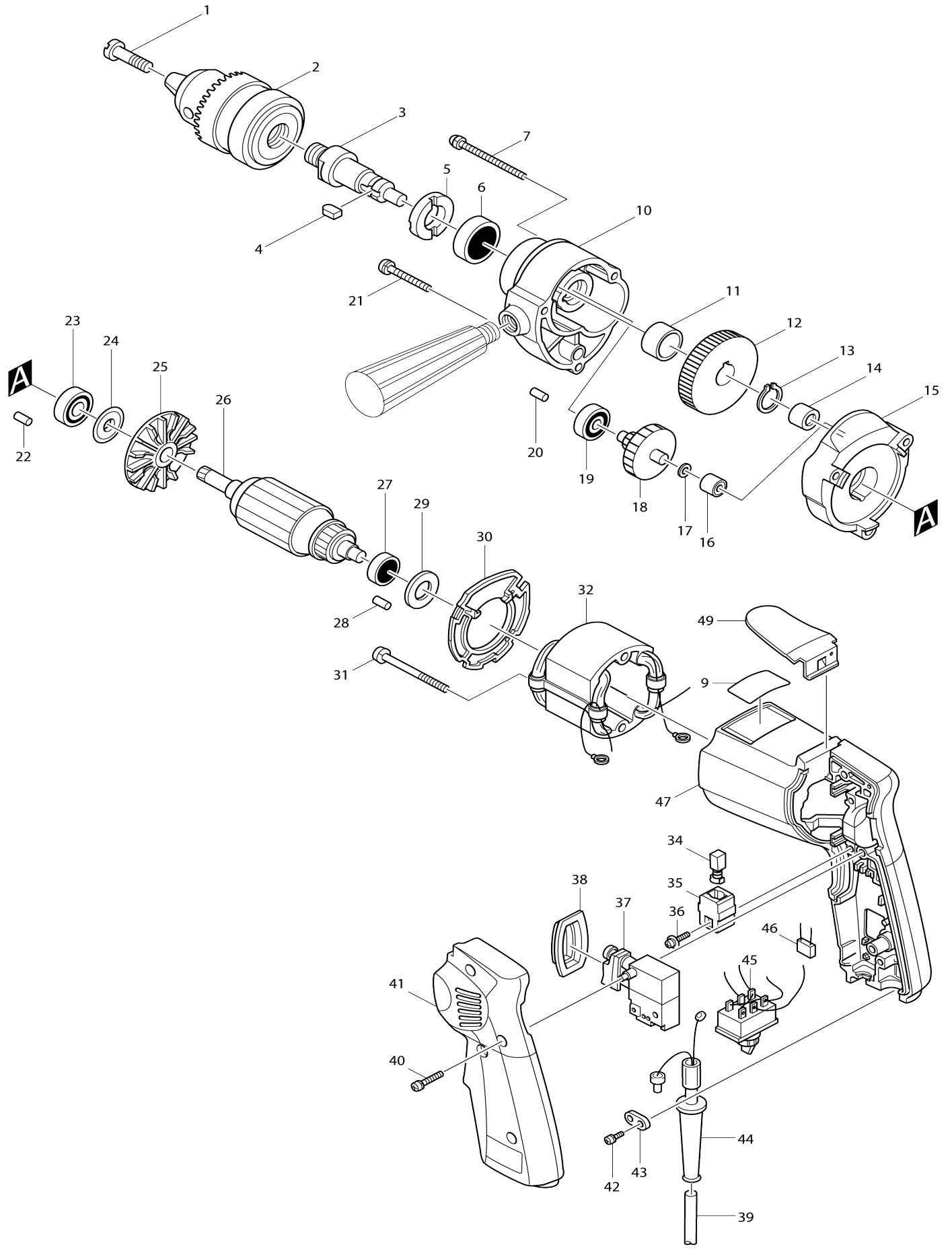


Model No.DP4700 DRILL 13MM



Model No.DP4700 DRILL 13MM

Item No.	Parts No.	Description	Interchangability	Q'ty	New/Old	Note1	Note2
001	251425-3	- FLAT HEAD SCREW M6X22		1			
002A2	192892-2	KEYLESS DRILL CHUCK		1			
003	321082-2	SPINDLE		1			
004	254211-1	KEY 5		1			
005	285807-7	BEARING RETAINER 22-36		1			
006	211206-7	BALL BEARING 6202LLB		1			
007	911288-6	PAN HEAD SCREW M5X65		2			
009	815208-1	NAME PLATE DP4700		1			
010	157010-9	GEAR HOUSING		1	*		
D10		INC. 20					
010-1	153551-3	GEAR HOUSING COMPLETE	S	1			
D10		INC. 20					
011	257018-4	RING 15		1			
012	221261-1	SPUR GEAR 47		1			
013	961054-1	RETAINING RING S-14		1			
014	212004-2	NEEDLE BEARING 810		1			
015	157011-7	GEAR HOUSING COVER		1	*		
D10		INC. 22					
015-1	153552-1	GEAR HOUSING COVER	S	1			
D10		INC. 22					
016	212012-3	NEEDLE BEARING 609		1			
017	253715-0	FLAT WASHER 6		1			
018	226044-4	GEAR COMPLETE 7-46		1			
019-1	211018-8	BALL BEARING 626LB		1	*		
019-2	211016-2	BALL BEARING 626LLB	O	1			
020	263002-9	RUBBER PIN 4		1			
021	911273-9	PAN HEAD SCREW M5X50		1			
022	263002-9	RUBBER PIN 4		1			
023	211033-2	BALL BEARING 608LB		1			
024	213002-9	DUST SEAL 8		1			
025	241811-6	FAN 54		1			
026]	518139-0	ARMATURE ASS'Y 220V		1			
D10		INC. 23-27					
027	211028-5	BALL BEARING 627LB		1			
028	263002-9	RUBBER PIN 4		1			
029	253192-6	FLAT WASHER 14		1			
030	411528-7	BAFFLE PLATE		1			
031-1	911185-6	PAN HEAD SCREW M4X55		2			
032L_	628171-7	FIELD 220V		1			
034C_	191627-8	CARBON BRUSH CB-64		1			
035	643552-4	BRUSH HOLDER 5-8		2			
036	911124-6	PAN HEAD SCREW M4X14		2			
037I_	651247-5	SWITCH 11-12		1	*		
037I1	651256-4	SWITCH SGEL106CV-1A	O	1	*		
037I2	650226-0	SWITCH TG823AB-2	S	1			
038	411852-8	SWITCH COVER		1			
039H 1	665394-6	POWER SUPPLY CORD 1.0-2-2.5		1			

040	911153-9	PAN HEAD SCREW M4X28		3		
041	155283-8	HANDLE COVER COMPLETE		1	*	
C11	816266-0	INDICATION LABEL		1	*	
C20	817609-9	CAUTION LABEL		1	*	
041-1	154951-0	HANDLE COVER COMPLETE	S	1		
C11	816266-0	INDICATION LABEL		1		
C20	817609-9	CAUTION LABEL		1		
042-1	911133-5	PAN HEAD SCREW M4X18		2		
043A1	687031-2	STRAIN RELIEF		1		
044A_	682502-4	CORD GUARD 8-85		1		
045E_	651478-6	SWITCH VTX11		1		
046H_	645253-0	NOISE SUPPRESSOR		1		
047-1	156879-8	MOTOR HOUSING		1	*	
C10	816266-0	INDICATION LABEL		1	*	
D10		INC. 28				
047-2	154952-8	MOTOR HOUSING COMPLETE	S	1		
C10	816266-0	INDICATION LABEL		1		
D10		INC. 28				
049-1	343693-3	HOOK		1		
400A_	152492-0	GRIP 36 COMPLETE		1	*	
400A1	151965-0	GRIP 36 COMPLETE	X	1		
A04	821549-5	CONNECTOR PLASTIC CASE (TYP E1)		1	*	
C10	453974-8	LATCH		4	*	
A04-1	142770-6	CONNECTOR P.CASE(TYPE1) CO MP.	<	1		
C10	453974-8	LATCH		4		
A05	802U90-3	DP4700J INDICATION LABEL		1		
A06	802U91-1	DP4700J PLASTIC CASE LABEL		2		
A07	837872-8	INNER TRAY		1		

Please state Parts No. when your order.

Print Date 16/10/2023