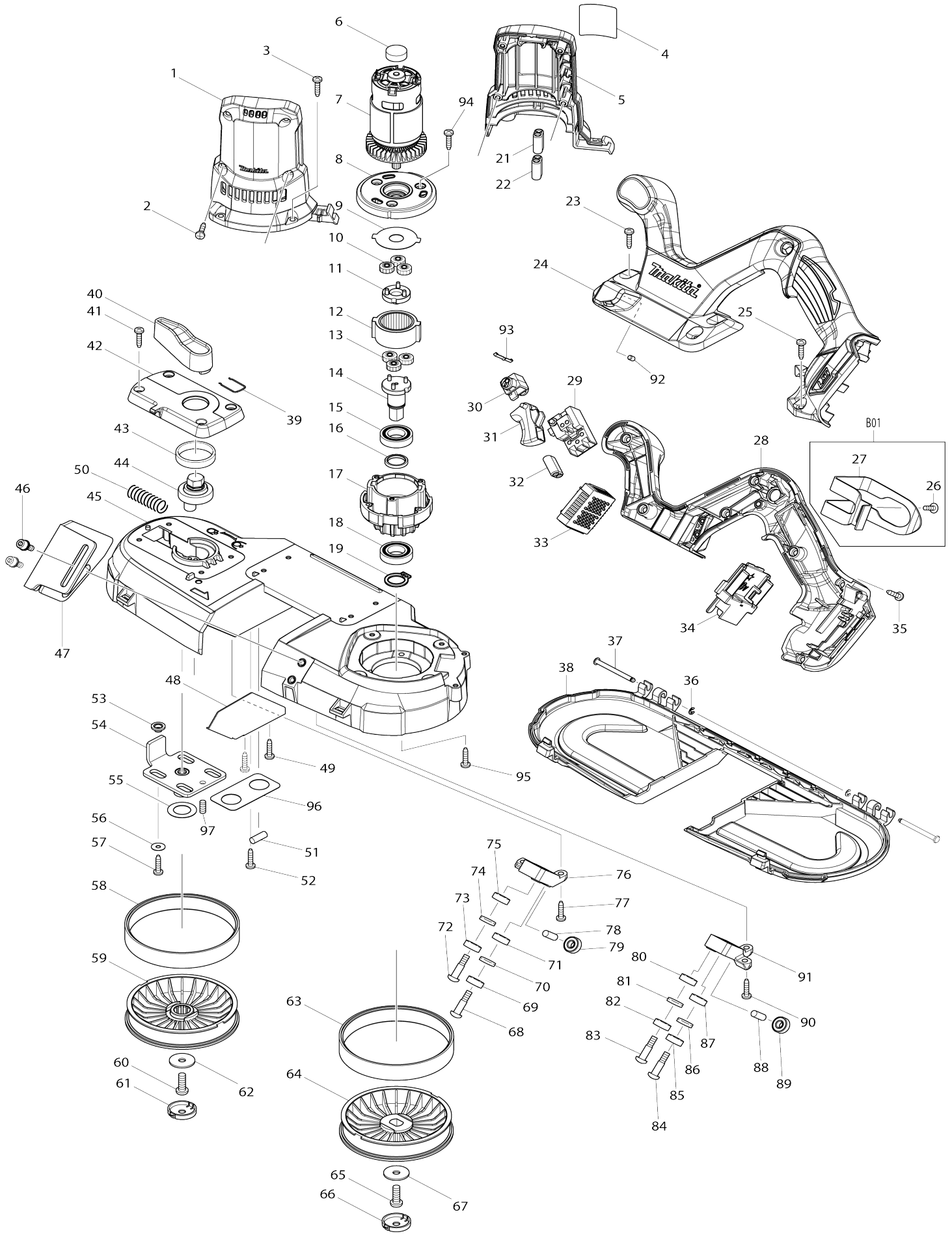


# Model No. DPB181 CORDLESS PORTABLE BAND SAW



Model No.DPB181 CORDLESS PORTABLE BAND SAW

| Item No. | Parts No. | Description          | Interchangeability | Q'ty | New/Old | Note1 | Note2 |
|----------|-----------|----------------------|--------------------|------|---------|-------|-------|
| 001      | 187711-5  | MOTOR HOUSING SET    |                    | 1    | *       |       |       |
| D10      |           | INC. 5               |                    |      |         |       |       |
| 001-1    | 187711-5  | MOTOR HOUSING SET    | >                  | 1    |         |       |       |
| D10      |           | INC. 5               |                    |      |         |       |       |
| 002      | 266326-2  | TAPPING SCREW 4X18   |                    | 4    | *       |       |       |
| 002-1    | 265A48-7  | TAPPING SCREW 4X18   | O                  | 4    |         |       |       |
| 003      | 266326-2  | TAPPING SCREW 4X18   |                    | 4    | *       |       |       |
| 003-1    | 265A48-7  | TAPPING SCREW 4X18   | O                  | 4    |         |       |       |
| 004      | 814X89-4  | DPB181 NAME PLATE    |                    | 1    | *       |       |       |
| 004-1    | 814X89-4  | DPB181 NAME PLATE    | <                  | 1    |         |       |       |
| 005      | 187711-5  | MOTOR HOUSING SET    |                    | 1    | *       |       |       |
| D10      |           | INC. 1               |                    |      |         |       |       |
| 005-1    | 187711-5  | MOTOR HOUSING SET    | >                  | 1    |         |       |       |
| D10      |           | INC. 1               |                    |      |         |       |       |
| 006      | 421940-3  | CAP                  |                    | 1    |         |       |       |
| 007      | 629992-0  | DC MOTOR             |                    | 1    |         |       |       |
| 008      | 454650-7  | GEAR HOUSING COVER   |                    | 1    |         |       |       |
| 009      | 267855-8  | LOCK WASHER          |                    | 1    |         |       |       |
| 010      | 227331-4  | SPUR GEAR 14         |                    | 3    |         |       |       |
| 011      | 142355-8  | SPUR GEAR 7 COMPLETE |                    | 1    | *       |       |       |
| 011-1    | 144386-3  | SPUR GEAR 7 COMPLETE | <                  | 1    |         |       |       |
| 012      | 227332-2  | INTERNAL GEAR 36     |                    | 1    |         |       |       |
| 013      | 227331-4  | SPUR GEAR 14         |                    | 3    |         |       |       |
| 014      | 142356-6  | SPINDLE COMPLETE     |                    | 1    |         |       |       |
| 015      | 211242-3  | BALL BEARING 6902ZZ  |                    | 1    |         |       |       |
| 016      | 257348-3  | RING 15              |                    | 1    |         |       |       |
| 017      | 454649-2  | GEAR HOUSING         |                    | 1    | *       |       |       |
| 017-1    | 455790-4  | GEAR HOUSING         | <                  | 1    |         |       |       |
| 018      | 211242-3  | BALL BEARING 6902ZZ  |                    | 1    |         |       |       |
| 019      | 961055-9  | RETAINING RING S-15  |                    | 1    |         |       |       |
| 021      | 688172-7  | LINE FILTER          |                    | 1    |         |       |       |
| 022      | 688172-7  | LINE FILTER          |                    | 1    |         |       |       |
| 023      | 266326-2  | TAPPING SCREW 4X18   |                    | 4    | *       |       |       |
| 023-1    | 265A48-7  | TAPPING SCREW 4X18   | O                  | 4    |         |       |       |
| 024      | 187762-8  | HANDLE SET           |                    | 1    |         |       |       |
| C10      | 252126-6  | HEX. LOCK NUT M4-7   |                    | 2    |         |       |       |
| C20      | 263005-3  | RUBBER PIN 6         |                    | 2    |         |       |       |
| D10      |           | INC. 28              |                    |      |         |       |       |
| 025      | 266326-2  | TAPPING SCREW 4X18   |                    | 2    | *       |       |       |
| 025-1    | 265A48-7  | TAPPING SCREW 4X18   | O                  | 2    |         |       |       |
| 028      | 187762-8  | HANDLE SET           |                    | 1    |         |       |       |
| C10      | 252126-6  | HEX. LOCK NUT M4-7   |                    | 2    |         |       |       |
| C20      | 263005-3  | RUBBER PIN 6         |                    | 2    |         |       |       |
| D10      |           | INC. 24              |                    |      |         |       |       |
| 029      | 650705-8  | SWITCH TG73BDS-1     |                    | 1    |         |       |       |
| 030      | 419504-5  | LOCK OFF BUTTON      |                    | 1    |         |       |       |
| 031      | 454651-5  | SWITCH LEVER         |                    | 1    |         |       |       |

|       |          |                          |   |   |   |  |  |
|-------|----------|--------------------------|---|---|---|--|--|
| 032   | 688172-7 | LINE FILTER              |   | 1 |   |  |  |
| 033   | 539219-9 | CONTROLLER ASSEMBLY      |   | 1 | * |  |  |
| C10   | 654199-9 | RECEPTACLE               |   | 1 | * |  |  |
| D10   |          | INC. 32                  |   |   |   |  |  |
| 033-1 | 632C02-2 | CONTROLLER UNIT          | < | 1 | * |  |  |
| C10   | 654199-9 | RECEPTACLE               |   | 1 | * |  |  |
| D10   |          | INC. 32                  |   |   |   |  |  |
| 033-2 | 632L41-6 | CONTROLLER UNIT          | O | 1 |   |  |  |
| C10   | 654199-9 | RECEPTACLE               |   | 1 | * |  |  |
| C11   | 654208-4 | RECEPTACLE               | O | 1 |   |  |  |
| C20   | 654069-2 | RECEPTACLE               |   | 1 |   |  |  |
| D10   |          | INC. 32                  |   |   |   |  |  |
| 034   | 643899-6 | TERMINAL                 |   | 1 |   |  |  |
| 035   | 266326-2 | TAPPING SCREW 4X18       |   | 7 | * |  |  |
| 035-1 | 265A48-7 | TAPPING SCREW 4X18       | O | 7 |   |  |  |
| 036   | 961017-7 | STOP RING E-3            |   | 2 |   |  |  |
| 037   | 256689-4 | PIN 4                    |   | 2 |   |  |  |
| 038   | 196585-3 | WHEEL COVER SET          |   | 1 | * |  |  |
| D10   |          | INC. 36,37               |   |   |   |  |  |
| 038-1 | 197222-2 | WHEEL COVER SET          | < | 1 | * |  |  |
| D10   |          | INC. 36,37               |   |   |   |  |  |
| 038-2 | 197975-3 | WHEEL COVER SET          | < | 1 |   |  |  |
| C10   | 161427-0 | HOOK                     |   | 2 |   |  |  |
| D10   |          | INC. 36,37               |   |   |   |  |  |
| 039   | 231955-0 | RING SPRING 12           |   | 1 |   |  |  |
| 040   | 272230-5 | LEVER 54                 |   | 1 |   |  |  |
| 041   | 266326-2 | TAPPING SCREW 4X18       |   | 4 | * |  |  |
| 041-1 | 265A48-7 | TAPPING SCREW 4X18       | O | 4 |   |  |  |
| 042   | 454614-1 | LEVER HOLDER             |   | 1 |   |  |  |
| 043   | 214408-4 | PLANE BEARING 30         |   | 1 |   |  |  |
| 044   | 326351-6 | LEVER SHAFT              |   | 1 |   |  |  |
| 045   | 454615-9 | FLAME                    |   | 1 | * |  |  |
| 045-1 | 143270-9 | FRAME COMPLETE           | < | 1 | * |  |  |
| C10   | 424736-1 | SPONGE                   |   | 1 | * |  |  |
| 045-2 | 144143-9 | FRAME COMPLETE           | < | 1 |   |  |  |
| C10   | 424736-1 | SPONGE                   |   | 1 |   |  |  |
| 046   | 922218-2 | H.S.H.BOLT M5X14 WITH WR |   | 2 |   |  |  |
| 047   | 346728-9 | STOPPER PLATE            |   | 1 |   |  |  |
| 048   | 346729-7 | PLATE                    |   | 1 |   |  |  |
| 049   | 266326-2 | TAPPING SCREW 4X18       |   | 2 | * |  |  |
| 049-1 | 265A48-7 | TAPPING SCREW 4X18       | O | 2 |   |  |  |
| 050   | 234313-9 | COMPRESSION SPRING 9     |   | 1 |   |  |  |
| 051   | 256033-5 | PIN 6                    |   | 1 |   |  |  |
| 052   | 266326-2 | TAPPING SCREW 4X18       |   | 1 | * |  |  |
| 052-1 | 265A48-7 | TAPPING SCREW 4X18       | O | 1 |   |  |  |
| 053   | 343494-9 | SLEEVE 5                 |   | 4 |   |  |  |
| 054   | 165738-5 | SLIDE PLATE              |   | 1 |   |  |  |
| 055   | 267164-5 | FLAT WASHER 15           |   | 1 |   |  |  |
| 056   | 253874-0 | FLAT WASHER 4            |   | 4 |   |  |  |
| 057   | 266326-2 | TAPPING SCREW 4X18       |   | 4 | * |  |  |
| 057-1 | 265A48-7 | TAPPING SCREW 4X18       | O | 4 |   |  |  |
| 058   | 424589-8 | RUBBER TIRE              |   | 1 | * |  |  |

|       |          |                                |   |   |   |  |  |
|-------|----------|--------------------------------|---|---|---|--|--|
| 058-1 | 424589-8 | RUBBER TIRE                    | S | 1 |   |  |  |
| 059   | 142358-2 | WHEEL COMPLETE B               |   | 1 |   |  |  |
| 060   | 265484-1 | H.S.BUTTON HEAD SCREW M6X17    |   | 1 |   |  |  |
| 061   | 454730-9 | CAP                            |   | 1 |   |  |  |
| 062   | 253010-8 | FLAT WASHER 6                  |   | 1 |   |  |  |
| 063   | 424589-8 | RUBBER TIRE                    |   | 1 | * |  |  |
| 063-1 | 424589-8 | RUBBER TIRE                    | S | 1 |   |  |  |
| 064   | 142357-4 | WHEEL COMPLETE A               |   | 1 |   |  |  |
| 065   | 265484-1 | H.S.BUTTON HEAD SCREW M6X17    |   | 1 |   |  |  |
| 066   | 454730-9 | CAP                            |   | 1 |   |  |  |
| 067   | 253010-8 | FLAT WASHER 6                  |   | 1 |   |  |  |
| 068   | 251337-0 | + PAN HEAD SCREW M5            |   | 1 |   |  |  |
| 069   | 210033-9 | BALL BEARING 696ZZ             |   | 1 |   |  |  |
| 070   | 941152-7 | FLAT WASHER 6                  |   | 1 |   |  |  |
| 071   | 210033-9 | BALL BEARING 696ZZ             |   | 1 |   |  |  |
| 072   | 251337-0 | + PAN HEAD SCREW M5            |   | 1 |   |  |  |
| 073   | 210033-9 | BALL BEARING 696ZZ             |   | 1 |   |  |  |
| 074   | 941152-7 | FLAT WASHER 6                  |   | 1 |   |  |  |
| 075   | 210033-9 | BALL BEARING 696ZZ             |   | 1 |   |  |  |
| 076   | 319075-1 | UPPER HOLDER 42                |   | 1 | * |  |  |
| 076-1 | 319400-6 | UPPER HOLDER 42                | < | 1 |   |  |  |
| 077   | 266326-2 | TAPPING SCREW 4X18             |   | 2 | * |  |  |
| 077-1 | 265A48-7 | TAPPING SCREW 4X18             | O | 2 |   |  |  |
| 078   | 256033-5 | PIN 6                          |   | 1 |   |  |  |
| 079   | 210033-9 | BALL BEARING 696ZZ             |   | 1 |   |  |  |
| 080   | 210033-9 | BALL BEARING 696ZZ             |   | 1 |   |  |  |
| 081   | 941152-7 | FLAT WASHER 6                  |   | 1 |   |  |  |
| 082   | 210033-9 | BALL BEARING 696ZZ             |   | 1 |   |  |  |
| 083   | 251337-0 | + PAN HEAD SCREW M5            |   | 1 |   |  |  |
| 084   | 251337-0 | + PAN HEAD SCREW M5            |   | 1 |   |  |  |
| 085   | 210033-9 | BALL BEARING 696ZZ             |   | 1 |   |  |  |
| 086   | 941152-7 | FLAT WASHER 6                  |   | 1 |   |  |  |
| 087   | 210033-9 | BALL BEARING 696ZZ             |   | 1 |   |  |  |
| 088   | 256033-5 | PIN 6                          |   | 1 |   |  |  |
| 089   | 210033-9 | BALL BEARING 696ZZ             |   | 1 |   |  |  |
| 090   | 266326-2 | TAPPING SCREW 4X18             |   | 2 | * |  |  |
| 090-1 | 265A48-7 | TAPPING SCREW 4X18             | O | 2 |   |  |  |
| 091   | 319074-3 | LOWER HOLDER 42                |   | 1 |   |  |  |
| 092   | 263002-9 | RUBBER PIN 4                   |   | 1 |   |  |  |
| 093   | 232201-4 | LEAF SPRING                    |   | 1 |   |  |  |
| 094   | 266326-2 | TAPPING SCREW 4X18             |   | 3 | * |  |  |
| 094-1 | 265A48-7 | TAPPING SCREW 4X18             | O | 3 |   |  |  |
| 095   | 266326-2 | TAPPING SCREW 4X18             |   | 3 | * |  |  |
| 095-1 | 265A48-7 | TAPPING SCREW 4X18             | O | 3 |   |  |  |
| 096   | 346798-8 | PROTECTION PLATE               |   | 1 |   |  |  |
| 097   | 266213-5 | H.S.SET SCREW(FLAT POINT)M5X12 |   | 1 |   |  |  |
| A01   | 783202-0 | HEX. WRENCH 4                  |   | 1 |   |  |  |
| A02   | 196658-2 | BAND SAW BLADE                 |   | 1 | * |  |  |
| A02-1 | B-40559  | PORTABLE BANDSAW BLADE 18T     | < | 1 |   |  |  |

|       |           | PI                            |   |   |   |  |
|-------|-----------|-------------------------------|---|---|---|--|
| F01   | 191897-9  | CUTTING WAX                   |   | 1 |   |  |
| F08-3 | 197606-4  | BATTERY BL1830B SET (2PIECES) | O | 1 |   |  |
| F09-3 | 197600-6  | BATTERY BL1830B SET           | O | 1 |   |  |
| F10-4 | 197599-5  | BATTERY BL1830B SET           | O | 1 |   |  |
| F11-3 | 197267-0  | BATTERY BL1840B SET           | O | 1 |   |  |
| F12-3 | 197265-4  | BATTERY BL1840B SET           | O | 1 |   |  |
| F14-3 | 197273-5  | BATTERY BL1840B SET(2PIECES)  | O | 1 |   |  |
| F18-3 | 197254-9  | BATTERY BL1820B SET           | O | 1 |   |  |
| F19-3 | 197254-9  | BATTERY BL1820B SET           | O | 1 |   |  |
| F20-3 | 197256-5  | BATTERY BL1820B SET           | O | 1 |   |  |
| F21-3 | 197256-5  | BATTERY BL1820B SET           | O | 1 |   |  |
| A03   | ***DC18RC | DC18RC FAST CHARGER           |   | 1 |   |  |
| A04   | 194204-5  | BATTERY BL1830 SET            |   | 2 | * |  |
| A04-1 | 194204-5  | BATTERY BL1830 SET            | O | 2 | * |  |
| A04-2 | 197600-6  | BATTERY BL1830B SET           | < | 2 | * |  |
| A04-3 | 197600-6  | BATTERY BL1830B SET           | O | 2 |   |  |
| A05   | 450128-8  | BATTERY COVER                 |   | 2 |   |  |
| A06   | 831303-9  | TOOL BAG                      |   | 1 |   |  |
| A04   | 196399-0  | BATTERY BL1840 SET            |   | 1 | * |  |
| A04-1 | 196399-0  | BATTERY BL1840 SET            | O | 1 | * |  |
| A04-2 | 197265-4  | BATTERY BL1840B SET           | < | 1 | * |  |
| A04-3 | 197265-4  | BATTERY BL1840B SET           | O | 1 |   |  |
| A04   | 196460-3  | BATTERY BL1820 SET            |   | 1 | * |  |
| A04-1 | 197254-9  | BATTERY BL1820B SET           | < | 1 | * |  |
| A04-2 | 197254-9  | BATTERY BL1820B SET           | O | 1 |   |  |

Please state Parts No. when your order.

Print Date 16/10/2023