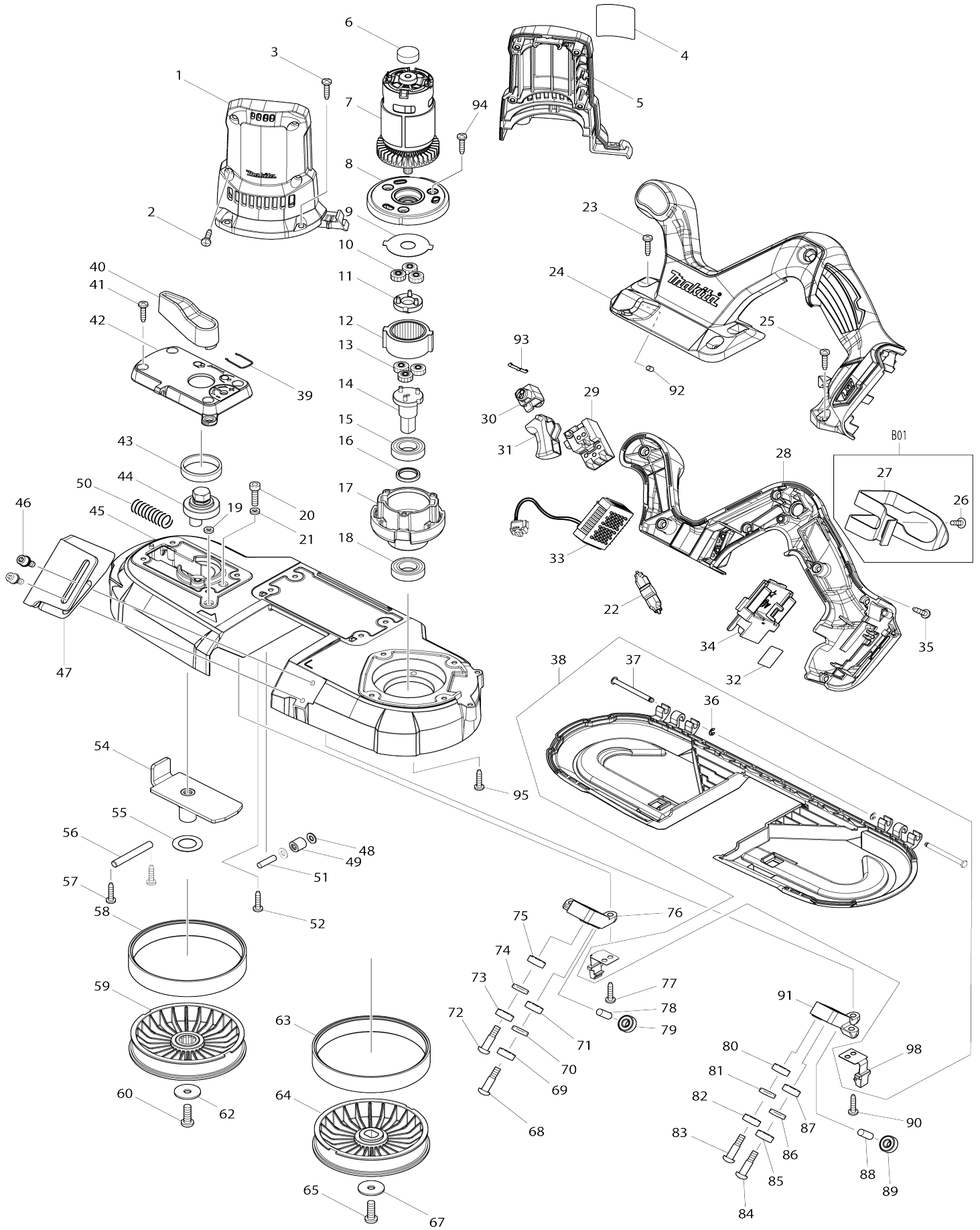


Model No. DPB182 CORDLESS PORTABLE BAND SAW



Model No.DPB182 CORDLESS PORTBABLE BAND SAW

Item No.	Parts No.	Description	Interchangability	Q'ty	New/Old	Note1	Note2
001	187711-5	MOTOR HOUSING SET		1	*		
D10		INC. 5					
001-1	187711-5	MOTOR HOUSING SET	>	1			
D10		INC. 5					
002	266326-2	TAPPING SCREW 4X18		4			
003	266034-5	TAPPING SCREW CT 4X16		4			
004	855M88-1	DPB182 NAME PLATE		1	*		
004-1	855M88-1	DPB182 NAME PLATE	<	1			
005	187711-5	MOTOR HOUSING SET		1	*		
D10		INC. 1					
005-1	187711-5	MOTOR HOUSING SET	>	1			
D10		INC. 1					
006	421940-3	CAP		1			
007	629400-1	DC MOTOR		1			
008	454650-7	GEAR HOUSING COVER		1			
009	267855-8	LOCK WASHER		1			
010	227331-4	SPUR GEAR 14		3			
011	144386-3	SPUR GEAR 7 COMPLETE		1			
012	227332-2	INTERNAL GEAR 36		1			
013	226900-8	SPUR GEAR 14		3	*		
013-1	227820-9	SPUR GEAR 14	<	3			
014	140J06-7	SPINDLE COMPLETE		1			
015	211242-3	BALL BEARING 6902ZZ		1	*		
015-1	210153-9	BALL BEARING 6902ZZ	O	1			
016	257348-3	RING 15		1			
017	319793-1	GEAR HOUSING		1			
018	211242-3	BALL BEARING 6902ZZ		1	*		
018-1	210153-9	BALL BEARING 6902ZZ	O	1			
019	262130-7	URETHANE RING 4		1			
020	265382-9	HEX. SOCKET HEAD BOLT M5X20		1			
021	262130-7	URETHANE RING 4		1			
023	266034-5	TAPPING SCREW CT 4X16		4			
024	187763-6	HANDLE SET		1			
C10	252126-6	HEX. LOCK NUT M4-7		2			
C20	263005-3	RUBBER PIN 6		2			
D10		INC. 28					
025	266034-5	TAPPING SCREW CT 4X16		2			
028	187763-6	HANDLE SET		1			
C10	252126-6	HEX. LOCK NUT M4-7		2			
C20	263005-3	RUBBER PIN 6		2			
D10		INC. 24					
029	650705-8	SWITCH TG73BDS-1		1			
030	419504-5	LOCK OFF BUTTON		1			
031	454651-5	SWITCH LEVER		1			
032	855M95-4	DPB182 SERIAL NO. LABEL		1			
033	632L42-4	CONTROLLER UNIT		1			
C10	654208-4	RECEPTACLE		1			

C20	654069-2	RECEPTACLE		1		
034	643874-2	TERMINAL		1		
035	266326-2	TAPPING SCREW 4X18		7		
036	961017-7	STOP RING E-3		2		
037	256689-4	PIN 4		2		
038	197975-3	WHEEL COVER SET		1		
D10		INC. 36,37,98				
039	231955-0	RING SPRING 12		1		
040	272230-5	LEVER 54		1		
041	266034-5	TAPPING SCREW CT 4X16		4		
042	459084-9	LEVER HOLDER		1		
043	214408-4	PLANE BEARING 30		1		
044	326351-6	LEVER SHAFT		1		
045	140J09-1	FRAME COMPLETE		1		
C10	424736-1	SPONGE		1		
C20	263005-3	RUBBER PIN 6		1		
046	922218-2	H.S.H.BOLT M5X14 WITH WR		2		
047	346728-9	STOPPER PLATE		1		
048	267010-2	FLAT WASHER 5		2		
049	212199-1	NEEDLE BEARING 510		1		
050	234313-9	COMPRESSION SPRING 9		1		
051	256155-1	PIN 5		1		
052	266034-5	TAPPING SCREW CT 4X16		1		
054	162564-3	SLIDE PLATE		1		
055	267164-5	FLAT WASHER 15		1		
056	268241-6	PIN 6		1		
057	266034-5	TAPPING SCREW CT 4X16		2		
058	424589-8	RUBBER TIRE		1		
059	140J07-5	WHEEL COMPLETE A		1		
060	265484-1	H.S.BUTTON HEAD SCREW M6X1 7		1		
062	267173-4	FLAT WASHER 6		1		
063	424589-8	RUBBER TIRE		1		
064	459087-3	WHEEL B		1		
065	265484-1	H.S.BUTTON HEAD SCREW M6X1 7		1		
067	267173-4	FLAT WASHER 6		1		
068	251337-0	+ PAN HEAD SCREW M5		1		
069	210187-2	BALL BEARING 696ZZ		1		
070	941152-7	FLAT WASHER 6		1		
071	210187-2	BALL BEARING 696ZZ		1		
072	251337-0	+ PAN HEAD SCREW M5		1		
073	210187-2	BALL BEARING 696ZZ		1		
074	941152-7	FLAT WASHER 6		1		
075	210187-2	BALL BEARING 696ZZ		1		
076	319400-6	UPPER HOLDER 42		1		
077	266034-5	TAPPING SCREW CT 4X16		2		
078	256033-5	PIN 6		1		
079	210187-2	BALL BEARING 696ZZ		1		
080	210187-2	BALL BEARING 696ZZ		1		
081	941152-7	FLAT WASHER 6		1		
082	210187-2	BALL BEARING 696ZZ		1		

083	251337-0	+ PAN HEAD SCREW M5		1		
084	251337-0	+ PAN HEAD SCREW M5		1		
085	210187-2	BALL BEARING 696ZZ		1		
086	941152-7	FLAT WASHER 6		1		
087	210187-2	BALL BEARING 696ZZ		1		
088	256033-5	PIN 6		1		
089	210187-2	BALL BEARING 696ZZ		1		
090	266034-5	TAPPING SCREW CT 4X16		2		
091	319074-3	LOWER HOLDER 42		1		
092	263002-9	RUBBER PIN 4		1		
093	232201-4	LEAF SPRING		1		
094	266034-5	TAPPING SCREW CT 4X16		3		
095	266034-5	TAPPING SCREW CT 4X16		3		
098	161427-0	HOOK		2		
A01	783202-0	HEX. WRENCH 4		1		
A02	B-40559	PORTABLE BANDSAW BLADE 18T PI		1		

Please state Parts No. when your order.

Print Date 16/10/2023