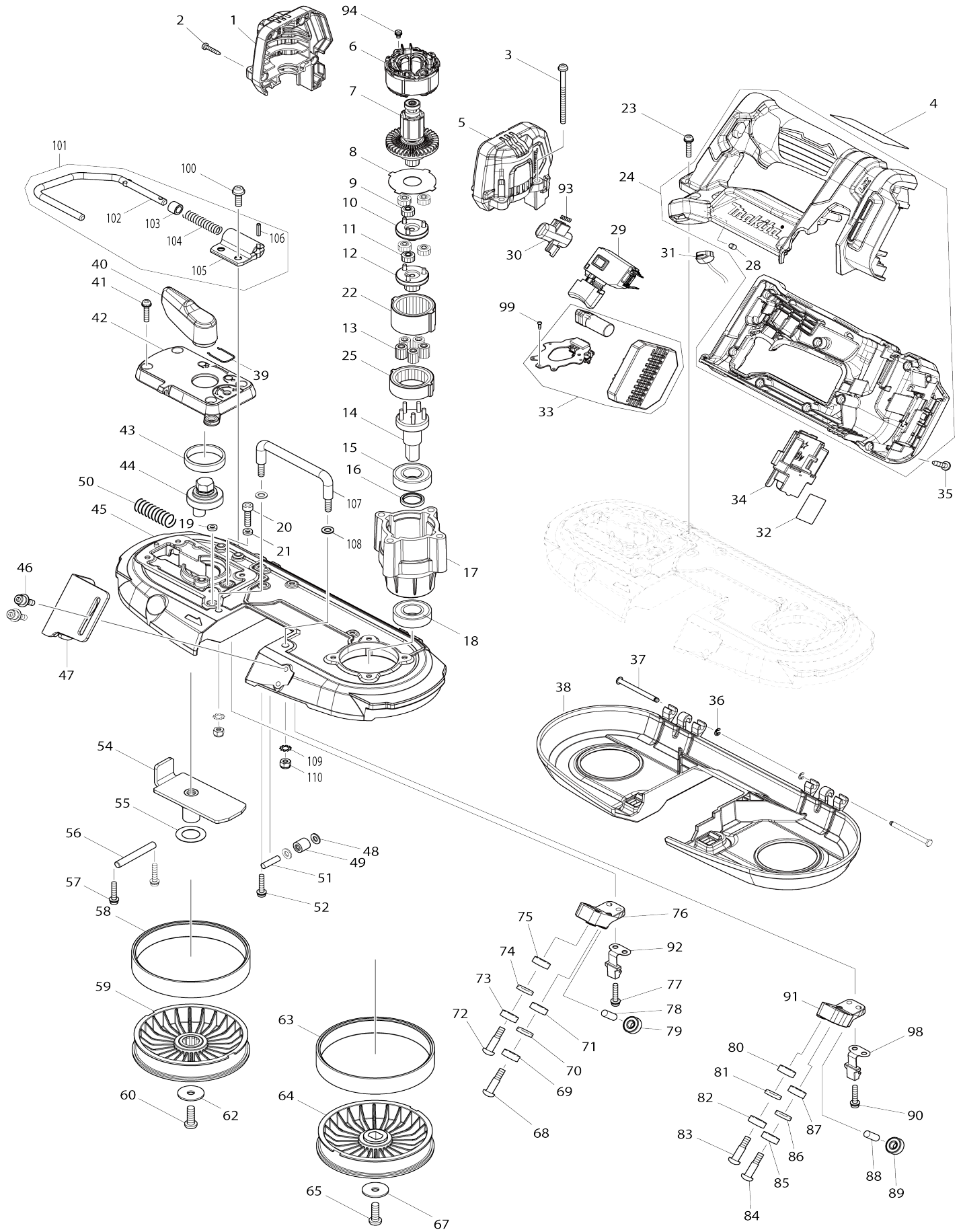


Model No. DPB184 CORDLESS PORTABLE BAND SAW



Model No.DPB184 CORDLESS PORTABLE BAND SAW

Item No.	Parts No.	Description	Interchangability	Q'ty	New/Old	Note1	Note2
001	183P68-8	MOTOR HOUSING SET		1			
D10		INC. 5					
002	266130-9	TAPPING SCREW BIND PT 3X16		4			
003	911188-0	PAN HEAD SCREW M4X60		4			
004	857F40-3	DPB184 NAME PLATE		1			
005	183P68-8	MOTOR HOUSING SET		1			
D10		INC. 1					
006	629482-3	STATOR		1			
007	619628-9	ROTOR		1			
008	253474-6	LOCK WASHER		1			
009	226923-6	SPUR GEAR 13		3			
010	140M80-3	SPUR GEAR 14B COMPLETE		1			
011	226923-6	SPUR GEAR 13		3			
012	140M81-1	SPUR GEAR 16 COMPLETE		1			
013	226924-4	SPUR GEAR 11		5			
014	140T74-0	SPINDLE COMPLETE		1			
015	211247-3	BALL BEARING 6002DDW		1			
016	257348-3	RING 15		1			
017	319980-2	GEAR HOUSING		1			
018	211247-3	BALL BEARING 6002DDW		1			
019	262130-7	URETHANE RING 4		1			
020	265382-9	HEX. SOCKET HEAD BOLT M5X20		1			
021	262130-7	URETHANE RING 4		1			
022	226921-0	INTERNAL GEAR 40		1			
023	911138-5	P.H.SCREW M4X20 WITH WR		4			
024	183R22-4	HANDLE SET		1			
C10	263005-3	RUBBER PIN 6		2			
D10		INC. 28					
025	226922-8	INTERNAL GEAR 39		1			
028	263027-3	RUBBER PIN 4		1			
029	651486-7	SWITCH C3JW-4B-R		1			
030	412551-5	LOCK OFF BUTTON		1			
031	620521-2	LED CIRCUIT		1			
032	857F47-9	DPB184 SERIAL NO. LABEL		1			
033	620D05-4	CONTROLLER		1			
034	643874-2	TERMINAL		1			
035	266130-9	TAPPING SCREW BIND PT 3X16		8			
036	961017-7	STOP RING E-3		2			
037	256689-4	PIN 4		2			
038	412550-7	WHEEL COVER		1			
039	231955-0	RING SPRING 12		1			
040	271462-1	LEVER 54		1			
041	911138-5	P.H.SCREW M4X20 WITH WR		4			
042	459084-9	LEVER HOLDER		1			
043	214408-4	PLANE BEARING 30		1			
044	326351-6	LEVER SHAFT		1			
045	140V76-8	FRAME COMPLETE		1			

C10	424736-1	SPONGE		1		
C20	263005-3	RUBBER PIN 6		1		
046	922224-7	H.S.H.BOLT M5X16 WITH WG		2		
047	347696-9	STOPPER PLATE		1		
048	267010-2	FLAT WASHER 5		2		
049	212199-1	NEEDLE BEARING 510		1		
050	234313-9	COMPRESSION SPRING 9		1		
051	256155-1	PIN 5		1		
052	911138-5	P.H.SCREW M4X20 WITH WR		1		
054	162564-3	SLIDE PLATE		1		
055	267164-5	FLAT WASHER 15		1		
056	268241-6	PIN 6		1		
057	911138-5	P.H.SCREW M4X20 WITH WR		2		
058	424589-8	RUBBER TIRE		1		
059	140J07-5	WHEEL COMPLETE A		1		
060	265484-1	H.S.BUTTON HEAD SCREW M6X17		1		
062	267173-4	FLAT WASHER 6		1		
063	424589-8	RUBBER TIRE		1		
064	459087-3	WHEEL B		1		
065	265484-1	H.S.BUTTON HEAD SCREW M6X17		1		
067	267173-4	FLAT WASHER 6		1		
068	251337-0	+ PAN HEAD SCREW M5		1		
069	210187-2	BALL BEARING 696ZZ		1		
070	941152-7	FLAT WASHER 6		1		
071	210187-2	BALL BEARING 696ZZ		1		
072	251337-0	+ PAN HEAD SCREW M5		1		
073	210187-2	BALL BEARING 696ZZ		1		
074	941152-7	FLAT WASHER 6		1		
075	210187-2	BALL BEARING 696ZZ		1		
076	319993-3	UPPER HOLDER		1		
077	911138-5	P.H.SCREW M4X20 WITH WR		2		
078	256033-5	PIN 6		1		
079	210187-2	BALL BEARING 696ZZ		1		
080	210187-2	BALL BEARING 696ZZ		1		
081	941152-7	FLAT WASHER 6		1		
082	210187-2	BALL BEARING 696ZZ		1		
083	251337-0	+ PAN HEAD SCREW M5		1		
084	251337-0	+ PAN HEAD SCREW M5		1		
085	210187-2	BALL BEARING 696ZZ		1		
086	941152-7	FLAT WASHER 6		1		
087	210187-2	BALL BEARING 696ZZ		1		
088	256033-5	PIN 6		1		
089	210187-2	BALL BEARING 696ZZ		1		
090	911138-5	P.H.SCREW M4X20 WITH WR		2		
091	319992-5	LOWER HOLDER		1		
092	162815-4	HOOK		1		
093	231433-0	COMPRESSION SPRING 4		1		
094	652069-6	FLAT HEAD SCREW M3X6		3		
098	162815-4	HOOK		1		
099	266490-9	TAPPING SCREW PT 2X6		3		

100	911223-4	PAN HEAD SCREW M5X16		2		
101	127601-0	HOOK ASSEMBLY		1		
D10		INC. 102-106				
102	281028-9	HOOK		1		
103	262561-0	SLEEVE 6		1		
104	233455-6	COMPRESSION SPRING 7		1		
105	313127-0	JOINT		1		
106	951057-3	SPRING PIN 3-12		1		
107	327638-9	GUARD		1		
108	941102-2	FLAT WASHER 5		2		
109	253484-3	TOOTHED LOCK WASHER 5		2		
110	264013-7	HEX. LOCK NUT M5-8		2		
A01	783202-0	HEX. WRENCH 4		1		
A02	E-04117	BAND SAW BLADE/ 730MM LENG TH		1		
B01	191G64-8	HOOK ASSEMBLY SET		1		
D10		INC. 100,101				

Please state Parts No. when your order.

Print Date 24/10/2023