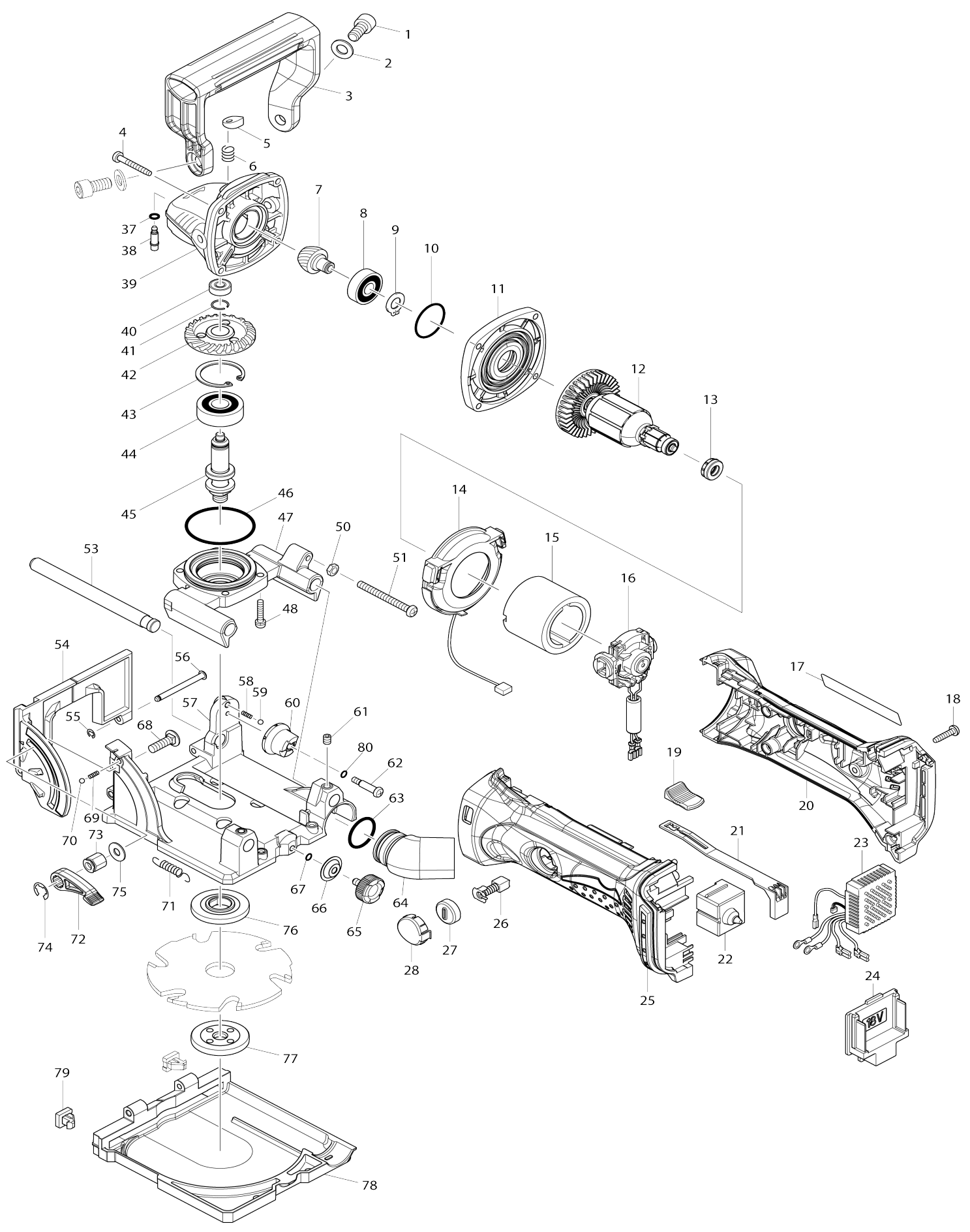


# Model No. DPJ180 CORDLESS PLATE JOINER



# Model No.DPJ180 CORDLESS PLATE JOINER

Item No.	Parts No.	Description	Interchangability	Q'ty	New/Old	Note1	Note2
001	922422-3	HEX. SOCKET HEAD BOLT M8X16		2			
002	941202-8	FLAT WASHER 8		2			
003	453219-4	GRIP		1			
004	266361-0	TAPPING SCREW 4X30		4			
005	417771-6	PIN CAP		1			
006	233072-2	COMPRESSION SPRING 8		1			
007	227597-6	SPIRAL BEVEL GEAR 11		1			
008	210042-8	BALL BEARING 629LLB		1			
009	961005-4	RETAINING RING S-9		1			
010	213445-5	O-RING 26		1	*		
010-1	213407-3	O RING 26	O	1			
011	317821-6	GEAR HOUSING COVER		1			
012	619295-0	ARMATURE		1			
D10		INC. 7-11					
013	421977-0	RUBBER RING 13		1			
014	631714-6	LED CIRCUIT		1			
015	638627-2	YOKE UNIT		1			
016	638979-1	ENDBELL COMPLETE		1			
C10	688165-4	LINE FILTER		1			
017	815T35-6	DPJ180 NAME PLATE		1			
018	266326-2	TAPPING SCREW 4X18		5			
019	419566-3	SWITCH KNOB		1			
020	187839-9	HOUSING SET		1			
C10	263005-3	RUBBER PIN 6		2			
D10		INC. 25					
021	419519-2	SWITCH LEVER		1			
022	650579-7	SWITCH 1246.3223		1			
023	620243-4	CONTROLLER		1			
024	644808-8	TERMINAL		1			
025	187839-9	HOUSING SET		1			
C10	263005-3	RUBBER PIN 6		2			
D10		INC. 20					
026	191971-3	CARBON BRUSH CB-430		1			
027	643954-4	BRUSH HOLDER CAP		2			
028	419518-4	HOLDER CAP COVER		2			
037	213960-9	O RING 5		1			
038	256496-5	SHOULDER PIN 4		1			
039	141400-6	GEAR HOUSING COMPLETE		1			
C10	263002-9	RUBBER PIN 4		1			
040	210033-9	BALL BEARING 696ZZ		1			
041	233950-6	RING SPRING 11		1			
042	227598-4	SPIRAL BEVEL GEAR 36		1			
043	962151-6	RETAINING RING R-32		1			
044	211129-9	BALL BEARING 6201DDW		1			
045	326120-5	SPINDLE		1			
046	213622-9	O RING 45		1			
047	318812-0	BEARING BOX		1			

048	911136-9	PAN HEAD SCREW M4X20		4		
050	931203-4	HEX. NUT M5		1		
051	266741-0	PAN HEAD SCREW M5X50		1		
053	326145-9	ROD 10		2		
054	141247-8	FENCE COMPLETE		1		
055	961017-7	STOP RING E-3		2		
056	256689-4	PIN 4		2		
057	318813-8	BASE		1		
058	231282-5	COMPRESSION SPRING 2.4		1		
059	216001-0	STEEL BALL 3.5		1		
060	318814-6	STOPPER		1		
061	266264-8	H.S.SET SCREW(FLAT POINT)M5X 6		2		
062	266738-9	+PAN HEAD SCREW M4		1		
063	213008-7	O RING 22.4		1		
064	415252-4	DUST NOZZLE		1		
065	265785-7	THUMB SCREW M5X10		1		
066	232131-9	LEAF SPRING		1		
067	213023-1	O RING 4		1		
068	266737-1	FLAT HEAD SQ. NECK BOLT M6X2 0		1		
069	231282-5	COMPRESSION SPRING 2.4		1		
070	216001-0	STEEL BALL 3.5		1		
071	231795-6	TENSION SPRING 8		2		
072	272263-0	LEVER 40		1		
073	252159-1	HEX. NUT M6		1		
074	961014-3	STOP RING E-8		1		
075	253804-1	FLAT WASHER 6		1		
076	224280-6	INNER FLANGE 40		1		
077	224505-8	LOCK NUT 10-40		1		
078	318845-5	BLADE COVER		1		
079	424479-5	RUBBER SPIKE		2		
080	213023-1	O RING 4		1		
A01	123149-0	ANGLE GUIDE ASS'Y		1		
D10		COMPO-PARTS				
A02	123150-5	DUST BAG ASSEMBLY		1		
C10	410602-8	FASTENER		1		
A03	415579-2	SET PLATE 4		1		
A04	B-20644	CUTTER 100MMX6T		1		
A05	782401-1	LOCK NUT WRENCH 20		1		
A06	***DC18RC	DC18RC FAST CHARGER		1		
A07	194204-5	BATTERY BL1830 SET		2	*	
A07-1	194204-5	BATTERY BL1830 SET	O	2	*	
A07-2	197600-6	BATTERY BL1830B SET	<	2	*	
A07-3	197600-6	BATTERY BL1830B SET	O	2		
A08	450128-8	BATTERY COVER		1		
A09	141533-7	PLASTIC CARRYING CASE COMPL ETE		1		
C10	162315-4	LATCH		2		
C20	452137-3	HANDLE		1		
C30	452143-8	SHAFT		2		
C40	453489-5	INSIDE LID		1		

A10	804C47-2	DPJ180RFE CASE LABEL		2			
A09	821551-8	CONNECTOR PLASTIC CASE (TYPE3)		1			
C10	453974-8	LATCH		4			
A10	837648-3	INNER TRAY		1			
A11	804C41-4	DPJ180ZJ INDICATION LABEL		1			
A12	804C42-2	DPJ180ZJ PLASTIC CASE LABEL		2			
A11	804C43-0	DPJ180RFJ INDICATION LABEL		1			
A12	804C44-8	DPJ180RFJ PLASTIC CASE LABEL		2			
A07	197265-4	BATTERY BL1840B SET		2	*		
A07-1	197265-4	BATTERY BL1840B SET	O	2			
A11	804G47-6	DPJ180RMJ INDICATION LABEL		1			
A12	804G48-4	DPJ180RMJ PLASTIC CASE LABEL		2			

Please state Parts No. when your order.

Print Date 16/10/2023