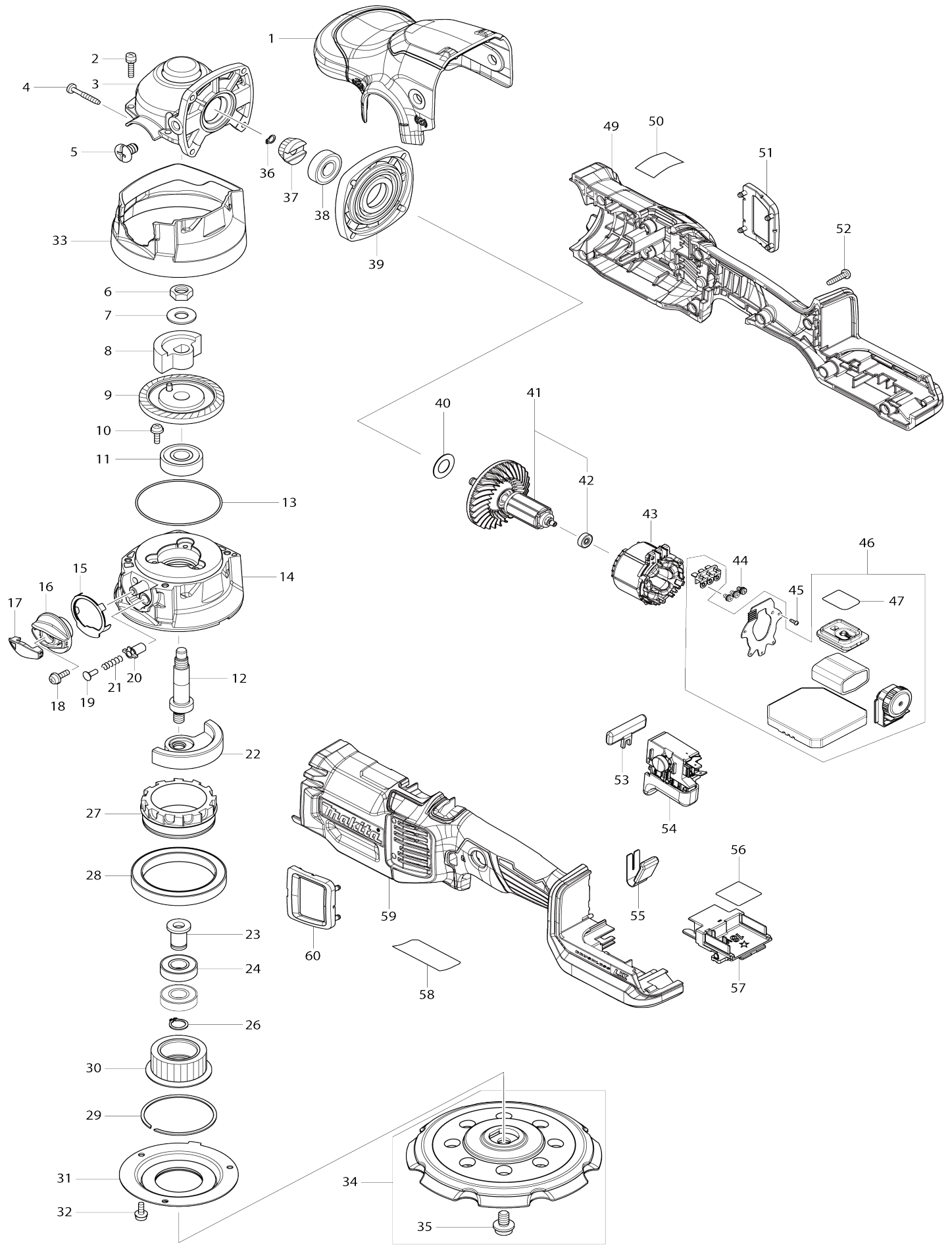


# Model No.DPO600 150MM DC RANDOM ORBIT POLISER



Model No.DPO600 150MM DC RANDOM ORBIT POLISHER

Item No.	Parts No.	Description	Interchangability	Q'ty	New/Old	Note1	Note2
001	456805-0	HEAD COVER		1			
002	911126-2	PAN HEAD SCREW M4X16		4			
003	143783-0	GEAR HOUSING COMPLETE		1			
004	266257-5	TAPPING SCREW 4X28		4			
005	265083-9	+ FLAT HEAD SCREW M8X11		2			
006	931503-2	HEX. NUT M10		1			
007	253024-7	FLAT WASHER 10		1			
008	326735-8	UPPER BALANCE WEIGHT		1			
009	143782-2	SPIRAL BEVEL GEAR 37 COMPLETE		1			
010	911119-9	PAN HEAD SCREW M4X12		3			
011	211145-1	BALL BEARING 6201ZZ		1			
012	324069-3	SPINDLE		1			
013	213724-1	O RING 62		1			
014	143784-8	SKIRT COMPLETE		1			
015	153427-4	DUST SEAL WASHER COMPLETE		1			
016	143785-6	KNOB COMPLETE		1			
017	456809-2	CAP		1			
018	911119-9	PAN HEAD SCREW M4X12		1			
019	417382-7	SPRING HOLDER		1			
020	345209-0	HOLDER		1			
021	231230-4	COMPRESSION SPRING 4		1			
022	326736-6	LOWER BALANCE WEIGHT		1			
023	324070-8	SLEEVE		1			
024	211131-2	BALL BEARING 6001DDW		2			
026	961052-5	RETAINING RING (EXT) S-12		1			
027	221453-2	INTERNAL SPUR GEAR 29		1			
028	210146-6	BALL BEARING 6811LLB		1			
029	257933-2	STOP RING (EXT) WR-55		1			
030	143790-3	SPUR GEAR 26 COMPLETE		1			
031	143938-7	BEARING RETAINER 80 COMPLETE		1			
032	911119-9	PAN HEAD SCREW M4X12		3			
033	456806-8	BUMPER		1			
034	197928-2	PAD 150 SET		1			
D10		INC. 35					
035	266270-3	HEX.SOCKET HEAD BOLT M8X14		1			
036	961002-0	RETAINING RING S-6		1			
037	221450-8	SPIRAL BEVEL GEAR 10		1			
038	211142-7	BALL BEARING 6001LLB		1			
039	317359-1	GEAR HOUSING COVER		1			
040	253084-9	FLAT WASHER 12		1			
041	519546-0	ROTOR ASSY		1			
D10		INC. 42					
042	210036-3	BALL BEARING 604ZZ		1			
043	629391-6	STATOR		1			
044	652069-6	FLAT HEAD SCREW M3X6		3			
045	266490-9	TAPPING SCREW PT 2X6		3			

046	620A17-9	CONTROLLER COMPLETE		1		
D10		INC. 47				
047	818M11-7	SWITCH LABEL		1		
049	183K93-9	MOTOR HOUSING SET		1		
C10	263005-3	RUBBER PIN 6		2		
D10		INC. 59				
050	818M10-9	INDICATION LABEL		1		
051	422380-8	DUST COVER		1		
052	265995-6	TAPPING SCREW 4X18		10		
053	458972-7	LOCK OFF BUTTON		1		
054	651381-1	SWITCH C3JW-4B-2L64		1		
055	232494-3	LEAF SPRING		1		
056	855C07-7	DPO600 SERIAL NO. LABEL		1		
057	643874-2	TERMINAL		1		
058	855C04-3	DPO600 NAME PLATE		1		
059	183K93-9	MOTOR HOUSING SET		1		
C10	263005-3	RUBBER PIN 6		2		
D10		INC. 49				
060	422380-8	DUST COVER		1		
A01	783203-8	HEX. WRENCH 5		1		
A02	144163-3	GRIP 36 COMPLETE		1		
E01	688131-1	LINE FILTER		1	*	
E01-1	688131-1	LINE FILTER	O	1		
F01	193288-0	FELT PAD 150		1		
F02	196152-4	FELT PAD SET		1		
F15	197925-8	PAD 100 SET(EU)		1		
F19	198043-5	GRIP 36 SET(EU)		1		

Please state Parts No. when your order.

Print Date 12/04/2023