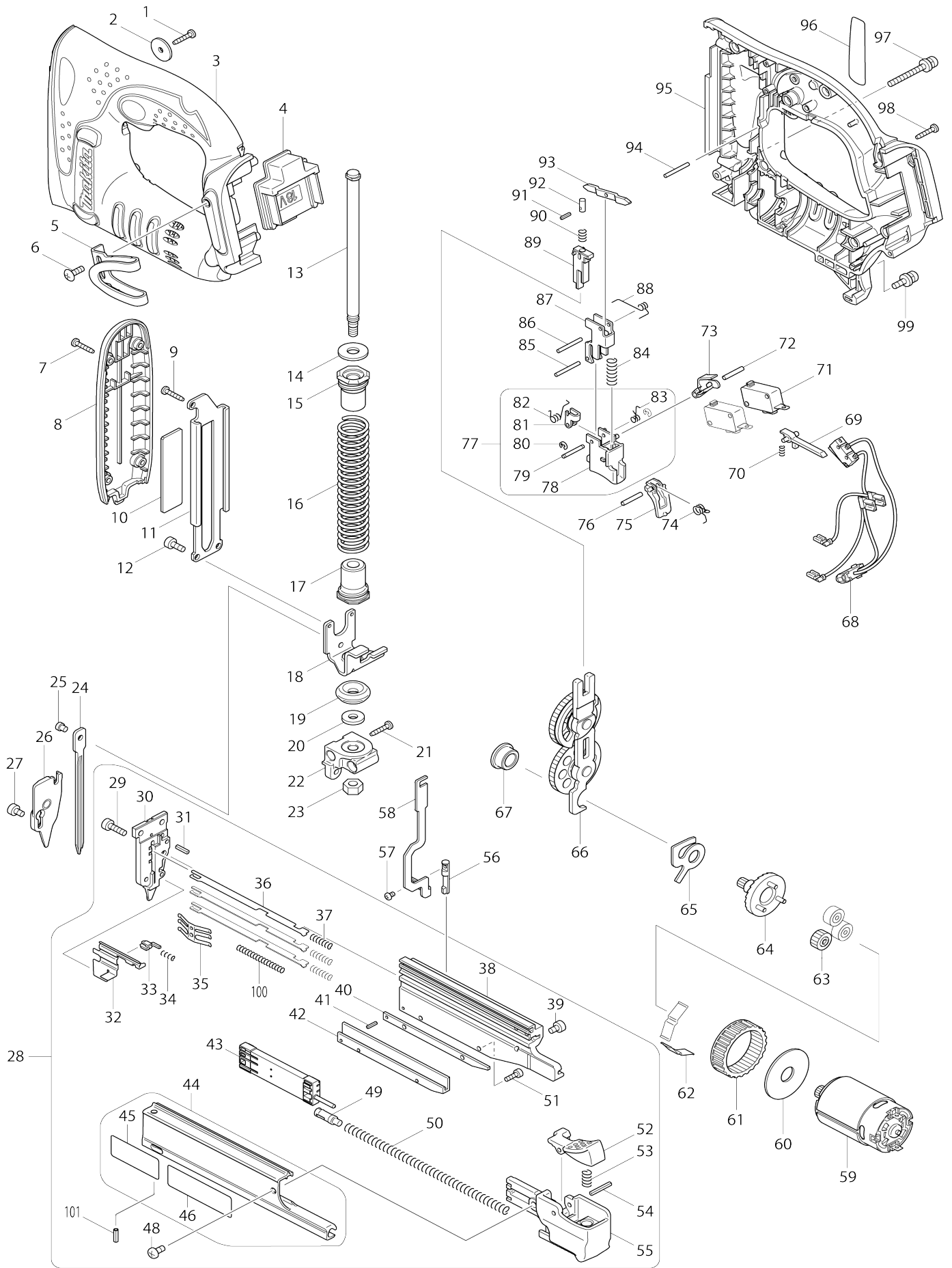


# Model No.DPT351 CORDLESS PIN NAILER



Model No.DPT351 CORDLESS PIN NAILER

Item No.	Parts No.	Description	Interchangability	Q'ty	New/Old	Note1	Note2
001	266130-9	TAPPING SCREW BIND PT 3X16		1			
002	267071-2	FLAT WASHER 4		1			
003	187098-5	HOUSING SET		1			
D10		INC. 95					
004	643843-3	TERMINAL		1			
005	346317-0	HOOK		1			
006	251314-2	+ SCREW M4X12		1			
007	266130-9	TAPPING SCREW BIND PT 3X16		4			
008	419450-2	FRONT COVER		1			
009	266130-9	TAPPING SCREW BIND PT 3X16		1			
010	345704-0	UPPER PLATE		1			
011	345703-2	RAIL		1			
012	922112-8	HEX. SOCKET HEAD BOLT M4X10		2			
013	324683-5	GUIDE BOLT		1			
014	253762-1	FLAT WASHER 8		1			
015	421962-3	SPRING HOLDER		1			
016	233472-6	COMPRESSION SPRING 17		1			
017	421962-3	SPRING HOLDER		1			
018	345701-6	HAMMER		1			
019	421956-8	CUSHION		1			
020	253804-1	FLAT WASHER 6		1			
021	266130-9	TAPPING SCREW BIND PT 3X16		1			
022	318025-3	HOLDER		1			
023	931302-2	HEX. NUT M6		1			
024	345702-4	DRIVER		1			
025	268157-5	PIN 4		1			
026	168430-2	DRIVER GUIDE COVER		1			
027	922102-1	HEX. SOCKET HEAD BOLT M4X6		2			
028	135372-5	MAGAZINE ASSEMBLY		1			
D10		INC. 29-44,48-55,100,101					
029	922122-5	HEX.SOCKET HEAD BOLT M4X14		1			
030	310173-4	DRIVER GUIDE		1			
031	951054-9	SPRING PIN 3-10		2			
032	345699-7	PUSHER		1			
033	310176-8	STOPPER		1			
034	233018-8	COMPRESSION SPRING 3		1			
035	232229-2	LEAF SPRING		1			
036	346239-4	NAIL STOPPER		3			
037	233476-8	COMPRESSION SPRING 4		3			
038	318024-5	MAGAZINE		1			
039	922102-1	HEX. SOCKET HEAD BOLT M4X6		1			
040	345696-3	SPACER		1			
041	951001-0	SPRING PIN 2-8		1			
042	318023-7	LOWER RAIL		1			
043	452877-3	NAIL GUIDE HOLDER		1			
044	140412-6	UPPER RAIL COMPLETE		1			
D10		INC. 45					

045	813728-9	SAFETY INSTRUCTION LABEL		1		
048	911113-1	PAN HEAD SCREW M4X10 WITH WR		1		
049	419443-9	SHOULDER PIN 5-7		1		
050	233470-0	COMPRESSION SPRING 5		1		
051	266177-3	HEX. SOCKET HEAD BOLT M3X10		2		
052	419446-3	LEVER		1		
053	233117-6	COMPRESSION SPRING 6		1		
054	951066-2	SPRING PIN 3-18		1		
055	419444-7	SLIDE DOOR CAP		1		
056	268158-3	PIN 5		1		
057	265040-7	+ PAN HEAD SCREW M3X4		1		
058	345705-8	LOCK ARM		1		
059	629910-8	DC MOTOR		1		
060	267053-4	FLAT WASHER 12		1		
061	227166-3	INTERNAL GEAR 69		1		
062	232230-7	LEAF SPRING		2		
063	221961-3	SPUR GEAR 27		3		
064	154973-0	SPUR GEAR 7 COMPLETE		1		
065	345773-1	ANTI BACK PLATE		1		
066	154972-2	SPUR GEAR 55 COMPLETE		1		
067	214060-8	PLANE BEARING 10		1		
068	620073-3	LED CIRCUIT		1		
069	419452-8	LIGHT SWITCH ARM		1		
070	233032-4	COMPRESSION SPRING 2		1		
071	651891-8	SWITCH V-15-3A6		2		
072	256299-7	PIN 3		1		
073	419453-6	LINK PLATE		1		
074	231693-4	TORSION SPRING 4		1		
075	419454-4	SAFETY TRIGGER		1		
076	256299-7	PIN 3		1		
077	188168-3	TRIGGER SET		1		
D10		INC. 78-83				
078	419451-0	TRIGGER		1		
079	256771-9	PIN 2.5		1		
080	257926-9	STOP RING E-2.0		2		
081	345707-4	SWING ARM		1		
082	231694-2	TORSION SPRING 3		1		
083	231695-0	TORSION SPRING 3		1		
084	233360-7	COMPRESSION SPRING 4		1		
085	256176-3	PIN 2.5		1		
086	256176-3	PIN 2.5		1		
087	345706-6	GUIDE PLATE		1		
088	231692-6	TORSION SPRING 4		1		
089	168489-9	CAM BLOCK		1		
090	233188-3	COMPRESSION SPRING 2.4		1		
091	951001-0	SPRING PIN 2-8		1		
092	324923-1	PUSH PIN		1		
093	345708-2	SWITCH ARM		1		
094	256176-3	PIN 2.5		1		
095	187098-5	HOUSING SET		1		
D10		INC. 3				

096	815W07-9	DPT351 NAME PLATE		1		
097	911163-6	PAN HEAD SCREW M4X35		1		
098	266130-9	TAPPING SCREW BIND PT 3X16		8		
099	911123-8	PAN HEAD SCREW M4X14		2		
100	233459-8	COMPRESSION SPRING 3		1		
101	951054-9	SPRING PIN 3-10		1		
A01	195246-2	SAFETY GOGGLE		1	*	
A02	419525-7	NOSE ADAPTER		1		
A03	783201-2	HEX. WRENCH 3		1		
F04	194649-7	BATTERY PROTECTOR		1		
C10	251314-2	+ SCREW M4X12		2		
F05	194654-4	HOOK SET		1		
C10	251314-2	+ SCREW M4X12		1		
C20	324705-1	HOOK		1		
F06-2	196235-0	BATTERY BL1815N SET	O	1		
F07-1	196449-1	BATTERY BL1815N SET	O	1		
F08-2	196449-1	BATTERY BL1815N SET	O	1		
A04	141932-3	PLASTIC CASE COMPLETE		1		
C10	324667-3	SHAFT		1		
C20	413098-2	PLATE		4		
C30	417724-5	LATCH		2		
C40	419215-2	PLASTIC CASE LID		1		
C50	419216-0	HANDLE		1		
A05	804J82-2	DPT351RFE PLASTIC CASE LABEL		1		
A06	***DC18RC	DC18RC FAST CHARGER		1		
A07	194204-5	BATTERY BL1830 SET		2	*	
A07-1	194204-5	BATTERY BL1830 SET	O	2	*	
A07-2	197600-6	BATTERY BL1830B SET	<	2	*	
A07-3	197600-6	BATTERY BL1830B SET	O	2		
A08	450128-8	BATTERY COVER		1		
A04	821550-0	CONNECTOR PLASTIC CASE (TYP E2)		1		
C10	453974-8	LATCH		4		
A05	837640-9	INNER TRAY		1		
A09	804J76-7	DPT351RFJ INDICATION LABEL		1		
A10	804J79-1	DPT351RFJ PLASTIC CASE LABEL		2		
A09	804J77-5	DPT351ZJ INDICATION LABEL		1		
A10	804J80-6	DPT351ZJ PLASTIC CASE LABEL		2		
A07-1	196399-0	BATTERY BL1840 SET		2	*	
A07-2	197265-4	BATTERY BL1840B SET	<	2	*	
A07-3	197265-4	BATTERY BL1840B SET	O	2		
A09	804J85-6	DPT351RMJ INDICATION LABEL		1		
A10	804J86-4	DPT351RMJ PLASTIC CASE LABEL		2		

Please state Parts No. when your order.

Print Date 16/10/2023