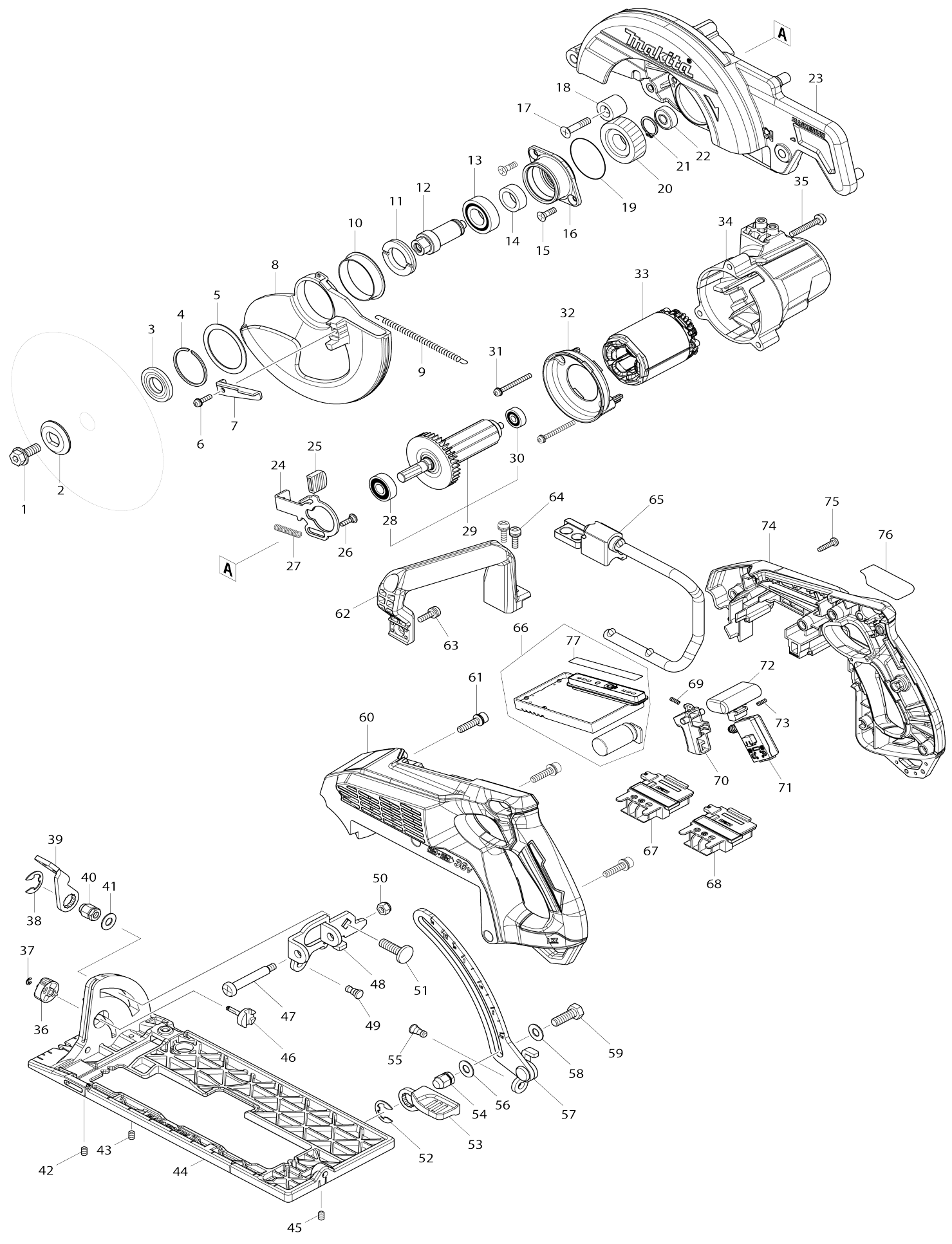


Model No.DRS780 185MM CORDLESS REAR HANDLE



Model No.DRS780 185MM CORDLESS REAR HANDLE

Item No.	Parts No.	Description	Interchangability	Q'ty	New/Old	Note1	Note2
001	266400-6	HEX. SOCKET HEX. BOLT M8X20		1			
002	224409-4	OUTER FLANGE 35		1			
003-1	224593-5	INNER FLANGE 35		1			
004	257423-5	RETAINING RING(EXT) WR-42		1			
005	253393-6	FLAT WASHER 42		1			
006	911128-8	P.H.SCREW M4X16 WITH WR		1			
007	271435-4	LEVER 48		1			
008	319543-4	SAFETY COVER		1			
009	232371-9	TENSION SPRING 5		1			
010	457434-2	SPACER		1			
011	285809-3	BEARING RETAINER 23-36		1			
012	326941-5	SPINDLE		1			
013	211251-2	BALL BEARING 6003LLB		1			
014	257024-9	RING 17		1			
015	265034-2	+ COUNTERSUNK HEAD SCREW M5X16		2			
016	319544-2	BEARING BOX		1			
017	251572-0	+ COUNTERSUNK HEAD SCREW M6X30		1			
018	262185-2	RUBBER SLEEVE8		1			
019	213565-5	O RING 42		1			
020	221542-3	HELICAL GEAR 37		1			
021	961057-5	RETAINING RING S-17		1			
022	210029-0	BALL BEARING 608ZZ		1			
023	140F75-4	BLADE CASE COMPLETE		1			
C10	213434-0	O RING 26		1			
024	347168-4	SHAFT LOCK		1			
025	286039-9	CAP		1			
026	251529-1	+ PAN HEAD SCREW M4X14		1			
027	232381-6	COMPRESSION SPRING 6		1			
028	210059-1	BALL BEARING 6000DDW		1			
029-1	519435-9	ROTOR ASS'Y		1			
D10		INC. 28,30					
030	210022-4	BALL BEARING 626DDW		1			
031	911566-4	P.H.SCREW M4X40 WITH WRM		2			
032	457430-0	BAFFLE PLATE		1			
033	629259-6	STATOR		1	*		
033-1	629B68-5	STATOR	S	1			
034	144467-3	MOTOR HOUSING COMPLETE		1			
C10	263002-9	RUBBER PIN 4		1			
035	911258-5	PAN HEAD SCREW M5X35		3			
036	457963-5	DIAL 22		1			
037	961017-7	STOP RING E-3		1			
038	257953-6	BOW STOP RING E-12		1			
039	271434-6	LEVER 56		1			
040	252240-8	HEX. CAP NUT M8-13		1			
041	941201-0	FLAT WASHER 8		1			
042	266229-0	H.S.SET SCREW(CUP POINT)M5X8		1			

043	266229-0	H.S.SET SCREW(CUP POINT)M5X8		1		
044	319796-5	BASE		1		
045	266229-0	H.S.SET SCREW(CUP POINT)M5X8		1		
046	324699-0	STOPPER PIN		1		
047	251221-9	+ PAN HEAD SCREW M6		1		
048	347169-2	ANGULAR GUIDE		1		
049	256511-5	SHOULDER PIN 6-7		1		
050	252014-7	HEX. LOCK NUT M6-10		1		
051	251537-2	FLATHEADSQUARE NECKBOLT M 8X28		1		
052	257953-6	BOW STOP RING E-12		1		
053	271433-8	LEVER 59		1		
054	252240-8	HEX. CAP NUT M8-13		1		
055	256511-5	SHOULDER PIN 6-7		1		
056	941201-0	FLAT WASHER 8		1		
057	162566-9	DEPTH GUIDE		1		
058	941201-0	FLAT WASHER 8		1		
059	251538-0	HEX. BOLT M8X24		1		
060	183G65-0	HANDLE SET		1		
C10	263005-3	RUBBER PIN 6		4		
D10		INC. 74				
061	922343-9	H.S.H.BOLT M6X25 WITH WR		3		
062	457433-4	GRIP		1		
063	911228-4	PAN HEAD SCREW M5X18		1		
064	911228-4	PAN HEAD SCREW M5X18		2		
065-1	127074-7	HOOK ASSEMBLY		1		
066-1	135972-1	CONTROLLER ASSY		1	*	
D10		INC. 77				
066-2	136768-3	CONTROLLER ASS'Y	S	1		
D10		INC. 77				
067	643874-2	TERMINAL		1		
068	643874-2	TERMINAL		1		
069	231433-0	COMPRESSION SPRING 4		1		
070	457432-6	SWITCH LEVER		1		
071	651083-9	SWITCH C3XA-1PSPM		1		
072	457431-8	LOCK OFF BUTTON		1		
073	231433-0	COMPRESSION SPRING 4		1		
074	183G65-0	HANDLE SET		1		
C10	263005-3	RUBBER PIN 6		4		
D10		INC. 60				
075	265995-6	TAPPING SCREW 4X18		8		
076	853B40-7	DRS780 NAME PLATE		1		
077	812G25-2	INDICATION LABEL		1		
078	620K74-7	CONTROLLER B	S	1		
079	652119-7	PAN HEAD SCREW M2X6	S	6		
A01	B-09416	T.C.T.SAW BLADE 185X30X20T		1		
A02	782016-4	OFFSET WRENCH 13		1		
A03	286042-0	CAP 31		1	*	
E01	286042-0	CAP 31		1		

Please state Parts No. when your order.

Print Date 16/10/2023