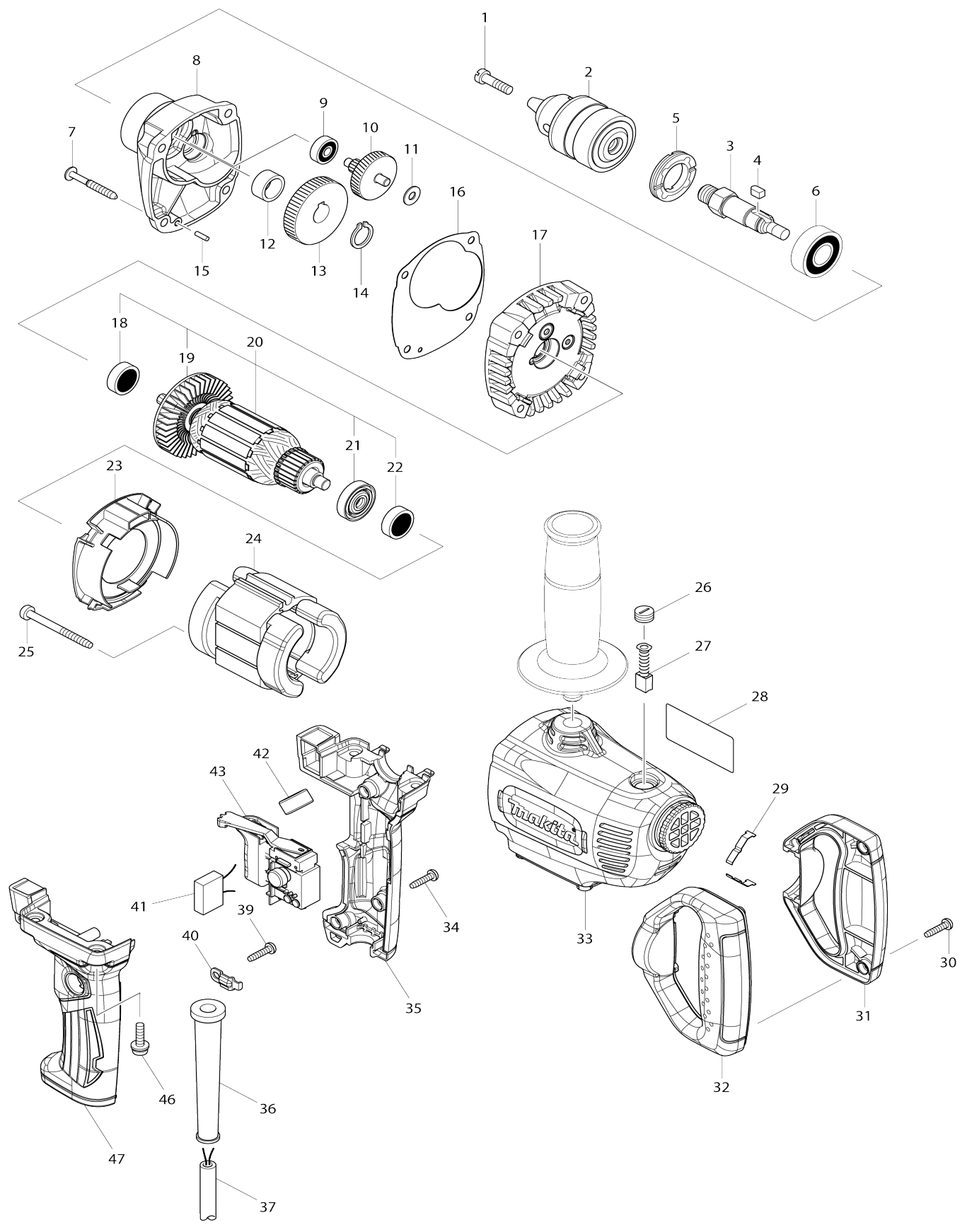


Model No.DS4012 13MM DRILL



Model No.DS4012 13MM DRILL

Item No.	Parts No.	Description	Interchangability	Q'ty	New/Old	Note1	Note2
001	251441-5	- FLAT HEAD SCREW M6X22		1			
002	763078-1	DRILL CHUCK S13		1	*		
002-1	763183-4	DRILL CHUCK S13	S	1			
003	325494-1	SPINDLE		1			
004	254211-1	KEY 5		1			
005	285807-7	BEARING RETAINER 22-36		1			
006	211206-7	BALL BEARING 6202LLB		1			
007	266211-9	TAPPING SCREW 5X40		4			
008	140620-9	GEAR HOUSING COMPLETE		1			
C10	263002-9	RUBBER PIN 4		1			
009	211016-2	BALL BEARING 626LLB		1			
010	226028-2	GEAR COMPLETE 7-41		1	*		
010-1	227A81-7	GEAR COMPLETE 7-41	S	1			
011	261008-1	FIBER WASHER 6		1			
012	257018-4	RING 15		1			
013	221261-1	SPUR GEAR 47		1			
014	961054-1	RETAINING RING S-14		1			
015	256180-2	PIN 3		1			
016	452066-0	GASKET		1			
017	140619-4	GEAR HOUSING COVER COMPLETE		1	*		
C10	263002-9	RUBBER PIN 4		1	*		
017-1	141R16-5	GEAR HOUSING COVER COMPLETE	S	1			
C10	263002-9	RUBBER PIN 4		1			
018	211031-6	BALL BEARING 608LLB		1			
019	241850-6	FAN 60		1			
020	513809-6	ARMATURE ASS'Y 240V		1			
D10		INC. 18,19,21,22					
021	681659-8	INSULATION WASHER		1			
022	211031-6	BALL BEARING 608LLB		1			
023	452063-6	BAFFLE PLATE		1			
024	520083-9	FIELD ASS'Y 240V		1			
C10	654100-4	RING TERMINAL		2			
C20	654555-3	CONNECTOR 34130		2			
025	266095-5	TAPPING SCREW 5X55		2	*		
025-1	266418-7	TAPPING SCREW 5X55	O	2			
026	643550-8	BRUSH HOLDER CAP 5-8		2			
027	191940-4	CARBON BRUSH CB-411		1			
028	850P63-0	DS4012 NAME PLATE		1			
029	232260-8	LEAF SPRING		2			
030	265995-6	TAPPING SCREW 4X18		4	*		
030-1	265A48-7	TAPPING SCREW 4X18	O	4			
031	188921-7	HANDLE SET		1			
D10		INC. 32					
032	188921-7	HANDLE SET		1			
D10		INC. 31					
033	140618-6	MOTOR HOUSING COMPLETE		1	*		

C10	643455-2	BRUSH HOLDER 6X9		2	*		
033-1	140621-7	MOTOR HOUSING COMPLETE	S	1			
C10	643455-2	BRUSH HOLDER 6X9		2			
034	265995-6	TAPPING SCREW 4X18		3	*		
034-1	265A48-7	TAPPING SCREW 4X18	O	3			
035	183A33-7	SWITCH HANDLE SET		1			
D10		INC. 47					
036	682566-8	CORD GUARD 10		1			
037	665865-3	POWER SUPPLY CORD 1.0-2-2.5		1			
039	266385-6	TAPPING SCREW 4X14		1	*		
039-1	265B74-2	TAPPING SCREW 4X14	O	1			
040	687682-1	STRAIN RELIEF		1			
041	645200-1	NOISE SUPPRESSOR		1			
042	688131-1	LINE FILTER		1	*		
042-1	688131-1	LINE FILTER	O	1			
043	650742-2	SWITCH		1			
046	911233-1	PAN HEAD SCREW M5X20		4			
047	183A33-7	SWITCH HANDLE SET		1			
D10		INC. 35					
A01	152492-0	GRIP 36 COMPLETE		1	*		
A01-1	152892-4	GRIP COMPLETE	<	1			
A02	763420-6	CHUCK KEY S13		1	*		
A02-1	763430-3	CHUCK KEY S13	S	1			

Please state Parts No. when your order.

Print Date 01/19/2024