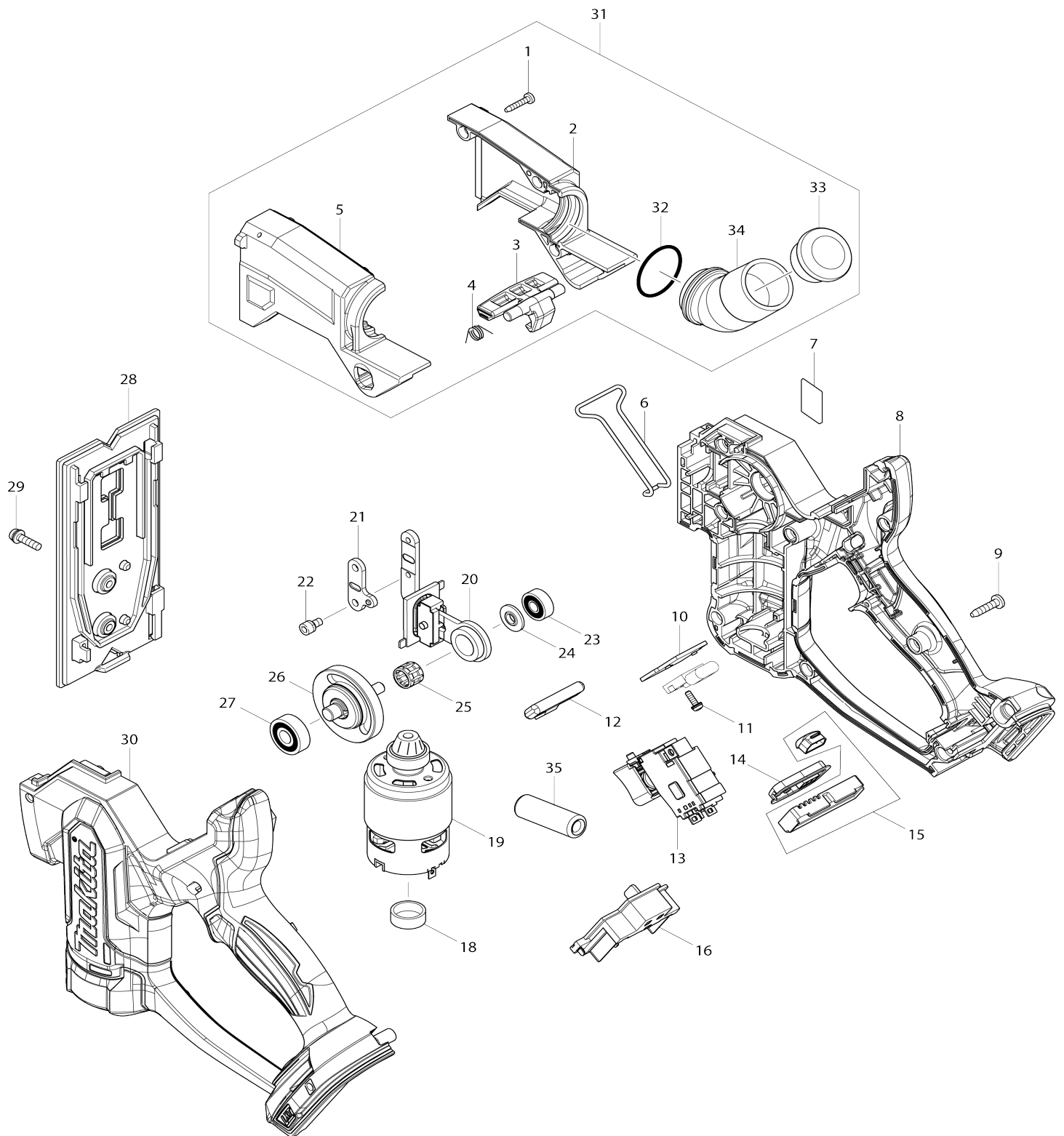


Model No.DSD180 CORDLESS DRYWALL SAW



Model No.DSD180 CORDLESS DRYWALL SAW

Item No.	Parts No.	Description	Interchangability	Q'ty	New/Old	Note1	Note2
001	266130-9	TAPPING SCREW BIND PT 3X16		3			
002	183C66-4	DUST COLLECTOR SET		1			
D10		INC. 5					
003	456628-6	HOOK		1			
004-1	231661-7	TORSION SPRING 9		1			
005	183C66-4	DUST COLLECTOR SET		1			
D10		INC. 2					
006	326680-7	SAFETY WIRE		1			
007	852N21-0	Name plate DSD180		1			
008	183E41-2	Housing set (blue)		1			
C10	263002-9	RUBBER PIN 4		1			
C20	263005-3	RUBBER PIN 6		2			
D10		INC. 30					
009	266326-2	TAPPING SCREW 4X18		9			
010	689098-6	HEAT SINK		1			
011	911013-5	PAN HEAD SCREW M3X10		1			
012	456625-2	LOCK OFF BUTTON		1			
013	650762-6	Switch		1			
014	140963-9	SWITCH PLATE COMPLETE		1			
015	620509-2	Light circuit		1			
016	644808-8	TERMINAL		1			
018	421940-3	CAP		1			
019	629193-0	DC motor		1			
020	143694-9	SLIDER COMPLETE		1			
C10	256305-8	PIN 4		1			
C20	257391-2	RING 4		1			
C30	310686-5	SLIDER PLATE		1			
C40	310687-3	SLIDER GUIDE		1			
021	347010-9	BLADE HOLDER		1			
022	922106-3	HEX. SOCKET HEAD BOLT M4X8		2			
023	211012-0	BALL BEARING 606ZZ		1			
024	326679-2	SHOULDER WASHER		1			
025	212077-5	NEEDLE CAGE		1			
026	143690-7	CRANK SHAFT COMPLETE		1			
027	211032-4	BALL BEARING 608ZZ		1	*		
027-1	210223-4	BALL BEARING 608ZZ	O	1			
028	456623-6	BASE		1			
029	911128-8	P.H.SCREW M4X16 WITH WR		2			
030	183E41-2	Housing set (blue)		1			
C10	263002-9	RUBBER PIN 4		1			
C20	263005-3	RUBBER PIN 6		2			
D10		INC. 8					
031	123559-1	DUST COLLECTOR ASSEMBLY		1			
D10		INC. 1-3,4-1,5,32-34					
032	213412-0	O RING 29		1			
033	286268-4	CAP 31		1			
034	451177-8	DUST NOZZLE		1			

035	688165-4	LINE FILTER		1			
A01	456624-4	BASE COVER		1			
A02	456632-5	BLADE COVER		1			
A03	783201-2	HEX. WRENCH 3		1			
A04	B-49703	BOARD CUTTER BLADE		1			

Please state Parts No. when your order.

Print Date 16/10/2023