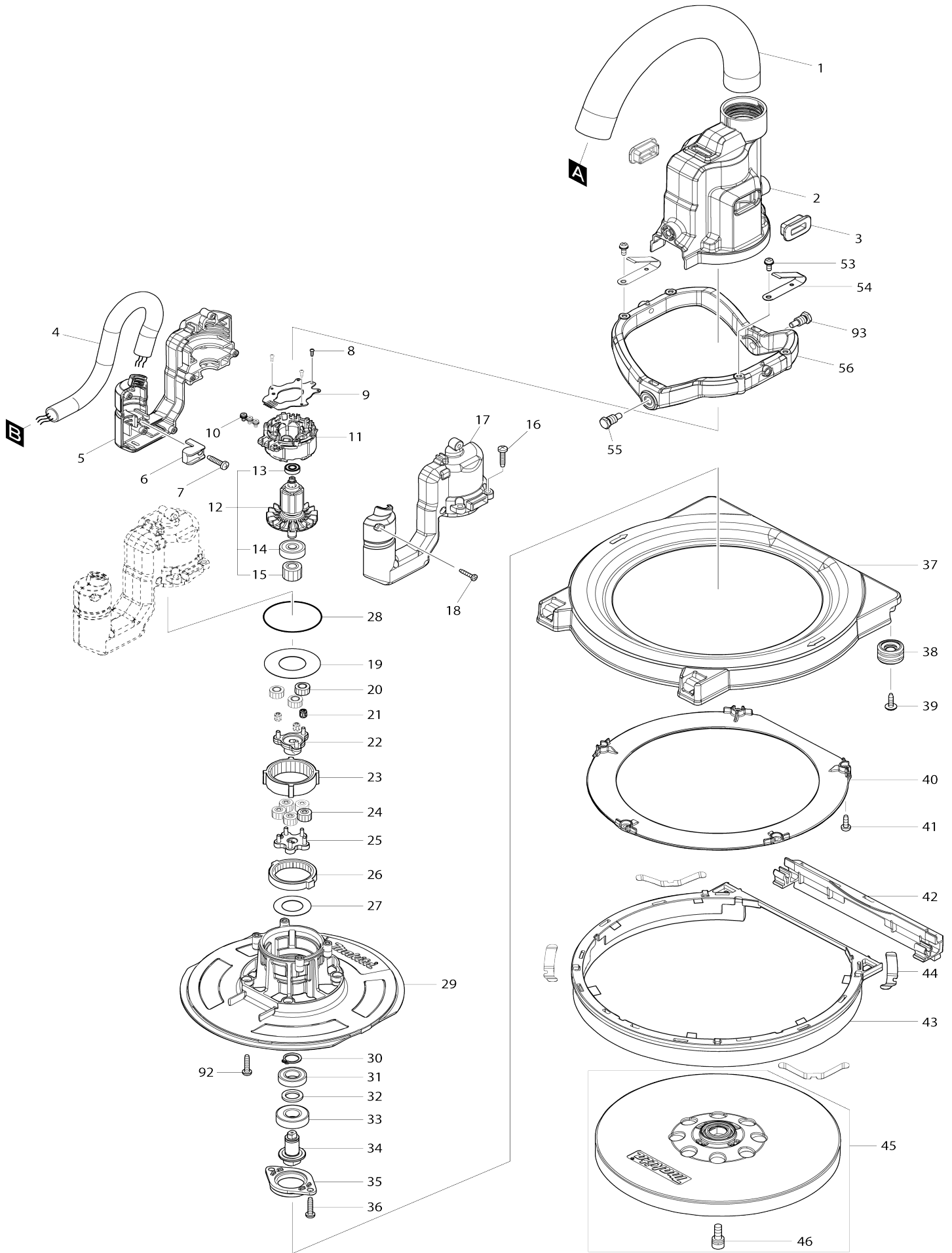
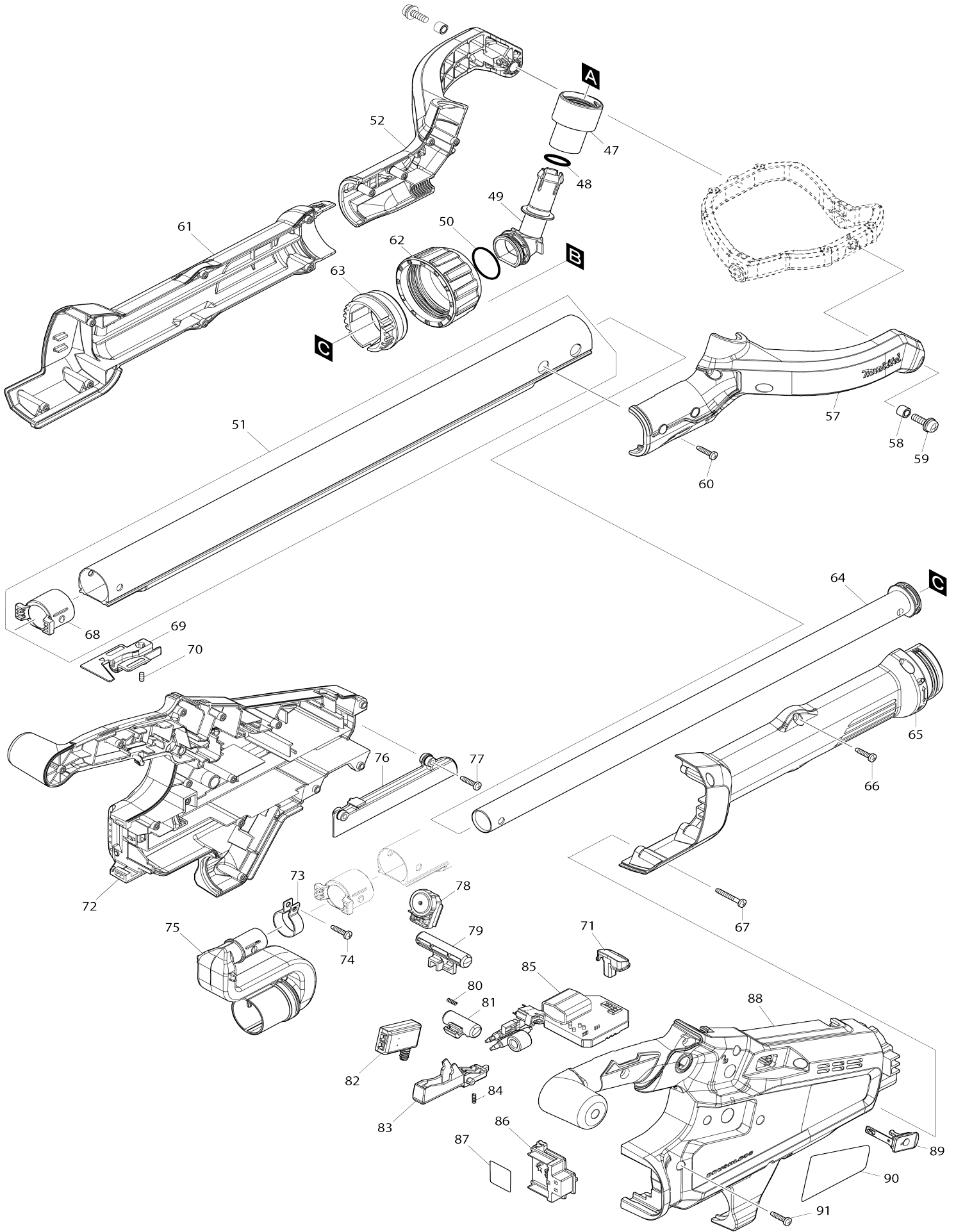


Model No.DSL800 225MM CORDLESS DRYWALL SANDER



Model No.DSL800 225MM CORDLESS DRYWALL SANDER



Model No.DSL800 225MM CORDLESS DRYWALL SANDER

Item No.	Parts No.	Description	Interchangeability	Q'ty	New/Old	Note1	Note2
001	245058-4	HOSE 28-0.25		1			
002	459217-6	HEAD COVER		1	*		
002-1	413L14-6	HEAD COVER	<	1			
003	422446-4	RUBBER CAP		2			
004	699129-3	POWER SUPPLY CORD UNIT		1	*		
004-1	699245-1	POWER SUPPLY CORD UNIT	<	1			
005	183L77-3	MOTOR HOUSING SET		1			
D10		INC. 17					
006	687261-5	STRAIN RELIEF		1			
007	265995-6	TAPPING SCREW 4X18		1			
008	266490-9	TAPPING SCREW PT 2X6		3			
009	620B02-8	CONTROLLER B		1			
010	652069-6	FLAT HEAD SCREW M3X6		3			
011	629409-3	STATOR		1			
012	519567-2	ROTOR ASSY		1	*		
D10		INC. 13-15					
012-1	519568-0	ROTOR ASSY	O	1			
D10		INC. 13-15					
013	210039-7	BALL BEARING 695DDW		1			
014	210023-2	BALL BEARING 627DDW		1			
015	226888-2	SPUR GEAR 19		1			
016	265995-6	TAPPING SCREW 4X18		4			
017	183L77-3	MOTOR HOUSING SET		1			
D10		INC. 5					
018	266429-2	TAPPING SCREW 3X16		6			
019	253437-2	FLAT WASHER 23		1			
020	226886-6	SPUR GEAR 14		3			
021	212131-5	NEEDLE CAGE 307		3			
022	140J82-1	SPUR GEAR 17 COMPLETE		1			
023	226890-5	INTERNAL GEAR 47		1			
024	226885-8	SPUR GEAR 13		5			
025	140J81-3	CARRIER COMPLETE		1			
026	226889-0	INTERNAL GEAR 43		1			
027	267789-5	FLAT WASHER 18		1			
028	213606-7	O RING 48		1			
029	459216-8	GEAR HOUSING		1	*		
029-1	413828-1	GEAR HOUSING	S	1			
030	961052-5	RETAINING RING (EXT) S-12		1			
031	211150-8	BALL BEARING 6901ZZ		1			
032	253746-9	FLAT WASHER 12		1			
033	210105-0	BALL BEARING 6001LLU		1			
034	327318-7	SPINDLE		1			
035	319823-8	BEARING RETAINER 47		1			
036	265995-6	TAPPING SCREW 4X18		2			
037	459218-4	COVER		1			
038	140L62-9	BEARING COVER COMPLETE		2	*		
038-1	140T62-7	BEARING COVER COMPLETE	<	2			

039	266901-4	TAPPING SCREW 4X14		2			
040	459219-2	BRUSH STOPPER		1	*		
040-1	413829-9	BRUSH STOPPER	S	1			
041	266020-6	TAPPING SCREW 4X12		5			
042	140J86-3	BRUSH B COMPLETE		1			
043	140J85-5	BRUSH A COMPLETE		1	*		
043-1	141C96-1	BRUSH A COMPLETE	S	1			
044	232510-1	LEAF SPRING		4			
045	199939-3	PAD 210 SET		1			
D10		INC. 46					
046	922323-5	HEX.SOCKET HEAD BOLT M6X16		1			
047	459223-1	HOSE CONNECTOR		1	*		
047-1	413490-2	HOSE CONNECTOR	S	1			
048	213304-3	O RING 20		1	*		
049	459222-3	JOINT		1	*		
049-1	422617-3	JOINT	S	1			
050	213393-8	O RING 23		1	*		
051	140N60-5	PIPE A COMPLETE		1			
D10		INC. 68					
052	183L76-5	ARM SET		1	*		
D10		INC. 57					
052-1	183T15-3	ARM SET	S	1			
D10		INC. 57					
053	911113-1	PAN HEAD SCREW M4X10 WITH WR		2			
054	232534-7	LEAF SPRING		2			
055	265A35-6	HEX. BOLT M8X17		1	*		
055-1	265A68-1	HEX. BOLT M8X22	>	1			
056	319808-4	FRAME		1			
057	183L76-5	ARM SET		1	*		
D10		INC. 52					
057-1	183T15-3	ARM SET	S	1			
D10		INC. 52					
058	262561-0	SLEEVE 6		2			
059	911334-5	PAN HEAD SCREW M6X20		2			
060	265995-6	TAPPING SCREW 4X18		4			
061	183L78-1	PIPE HOUSING SET		1			
D10		INC. 65					
062	459226-5	LOCK RING		1			
063	140J84-7	LOCK SLEEVE COMPLETE		1			
064	140L61-1	PIPE B COMPLETE		1			
C10	459225-7	PIPE STOPPER B		1			
065	183L78-1	PIPE HOUSING SET		1			
D10		INC. 61					
066	265995-6	TAPPING SCREW 4X18		4			
067	266050-7	TAPPING SCREW 4X30		3			
068	459224-9	PIPE STOPPER A		1			
069	459228-1	CORD HOLDER		1			
070	913106-4	SET SCREW M4X8		1			
071	140J83-9	INDICATOR PANEL COMPLETE		1			
072	183L75-7	HANDLE SET		1			
C10	263005-3	RUBBER PIN 6		2			

D10		INC. 88				
073	346248-3	CLAMP 24		1		
074	265995-6	TAPPING SCREW 4X18		1		
075	459234-6	DUST NOZZLE		1	*	
075-1	127672-7	DUST NOZZLE ASSY	S	1		
076	459229-9	CORD COVER		1		
077	265995-6	TAPPING SCREW 4X18		2		
078	620796-3	DIAL CIRCUIT		1		
079	459230-4	LOCK OFF BUTTON		1		
080	231433-0	COMPRESSION SPRING 4		1		
081	419705-5	LOCK ON BUTTON		1		
082	651083-9	SWITCH C3XA-1PSPM		1		
083	459231-2	SWITCH LEVER		1		
084	231433-0	COMPRESSION SPRING 4		1		
085	620B01-0	CONTROLLER		1		
086	644809-6	TERMINAL		1		
087	855W07-7	DSL800 SERIAL NO. LABEL		1		
088	183L75-7	HANDLE SET		1		
C10	263005-3	RUBBER PIN 6		2		
D10		INC. 72				
089	140F99-0	CAP COMPLETE		1		
C10	213218-6	O RING 16		1		
C20	818H07-8	CAP LABEL		1		
090	855W00-1	DSL800 NAME PLATE		1		
091	265995-6	TAPPING SCREW 4X18		10		
092	265995-6	TAPPING SCREW 4X18		4		
093	265A68-1	HEX. BOLT M8X22		1		
094	347816-5	EARTH PLATE A	S	1		
095	412987-8	RIVET 7	S	1		
A01	B-68404	ABRASIVE PAPER DISC 225-120		1		
A02	783217-7	HEX. WRENCH 5		1		
A03	195638-5	TOOL BAG SET		1		
A04	835B53-0	INNER TRAY		1		
F01-2	198900-7	WIRELESS UNIT SET	<	1		
F04-1	199937-7	EXTENSION HANDLE SET	O	1		
F05	199938-5	PAD 220 SET		1		
F06	199939-3	PAD 210 SET		1		
F07	199940-8	PAD 210 SET		1		
A05	198900-7	WIRELESS UNIT SET		1	*	
A05-1	198900-7	WIRELESS UNIT SET	<	1	*	
A05-2	198900-7	WIRELESS UNIT SET	<	1		

Please state Parts No. when your order.

Print Date 01/29/2024