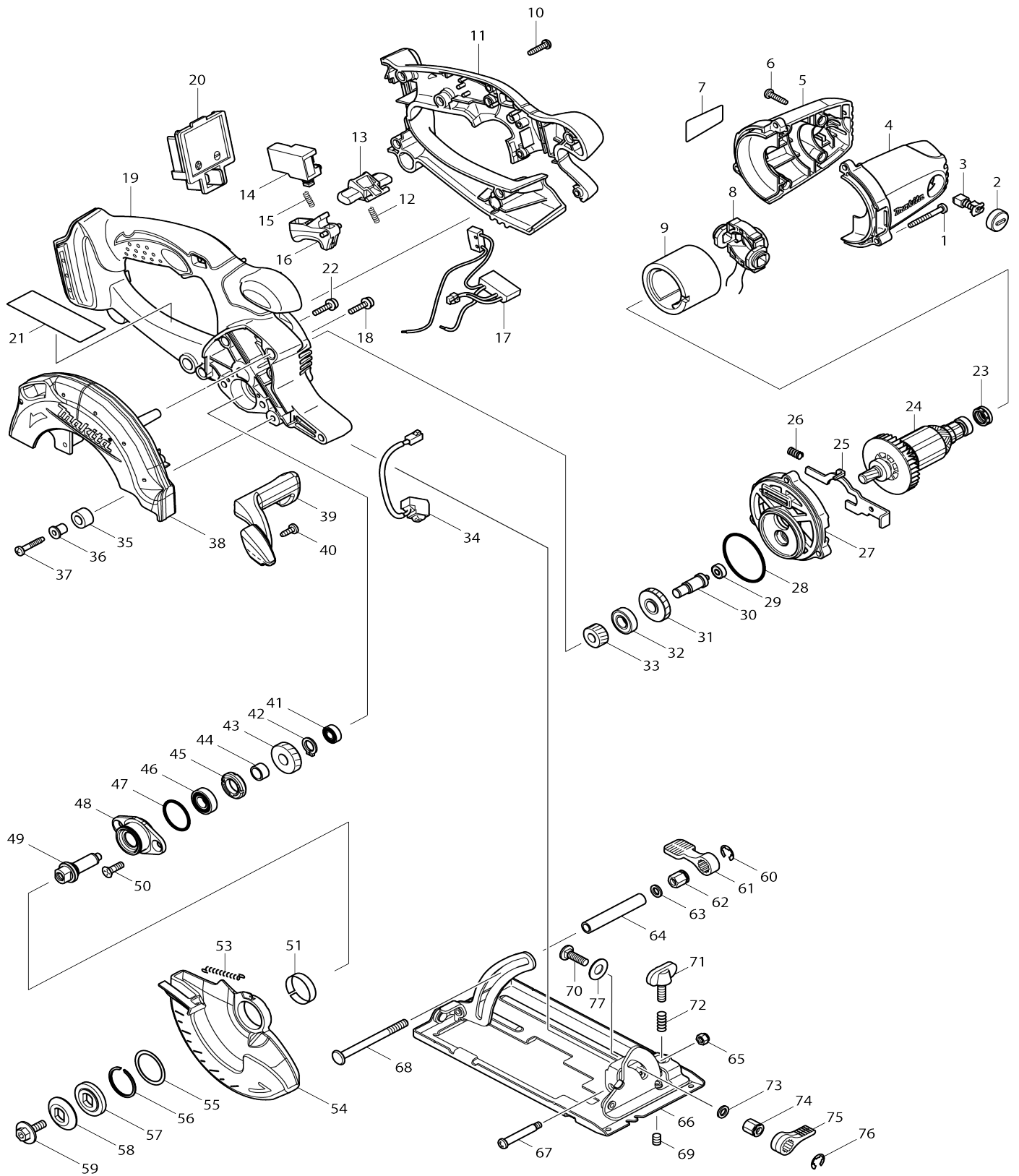


Model No.DSS501 CORDLESS CIRCULAR SAW 136MM



Model No.DSS501 CORDLESS CIRCULAR SAW 136MM

Item No.	Parts No.	Description	Interchangeability	Q'ty	New/Old	Note1	Note2
001	266053-1	TAPPING SCREW 4X35		3			
002	643807-7	BRUSH HOLDER CAP		2			
003	191971-3	CARBON BRUSH CB-430		1			
004	188209-5	HOUSING SET		1			
D10		INC. 5					
005	188209-5	HOUSING SET		1			
D10		INC. 4					
006	265995-6	TAPPING SCREW 4X18		4			
007	815T90-8	DSS501 NAME PLATE		1			
008	638925-4	ENDBELL COMPLETE		1	*		
008-1	638925-4	ENDBELL COMPLETE	O	1			
009	638420-4	YOKE UNIT		1			
010	265995-6	TAPPING SCREW 4X18		7			
011	453426-9	HANDLE L		1	*		
011-1	140F58-4	HANDLE L COMPLETE	S	1			
012	231469-9	COMPRESSION SPRING 4		1			
013	419664-3	LOCK OFF LEVER		1			
014	651956-6	SWITCH TG72BD		1			
015	231469-9	COMPRESSION SPRING 4		1			
016	419665-1	SWITCH LEVER		1			
018	911133-5	PAN HEAD SCREW M4X18		1			
019	453154-6	HANDLE R		1	*		
019-1	140F53-4	HANDLE R COMPLETE	S	1			
020	644808-8	TERMINAL		1			
022	911133-5	PAN HEAD SCREW M4X18		3			
023	421977-0	RUBBER RING 13		1			
024	619202-3	ARMATURE		1			
025	345643-4	SHAFT LOCK		1			
026	233117-6	COMPRESSION SPRING 6		1			
027	419656-2	GEAR HOUSING		1			
028	213560-5	O RING 44		1			
029	210036-3	BALL BEARING 604ZZ		1			
030	324729-7	GEAR SHAFT		1			
031	226643-2	HELICAL GEAR 35		1			
032	210080-0	BALL BEARING 6900ZZ		1			
033	226635-1	HELICAL GEAR 15		1			
034	631550-0	LED CIRCUIT		1			
035	262566-0	RUBBER SLEEVE 6		1			
036	262563-6	SLEEVE 4		1			
037	265999-8	TAPPING SCREW 4X25		1			
038	318152-6	BLADE CASE		1			
039	419935-8	BLOWER NOZZLE		1			
040	266026-4	TAPPING SCREW BIND CT 4X12		1			
041	210006-2	BALL BEARING 696ZZ		1			
042	961006-2	RETAINING RING S-10		1			
043	226640-8	HELICAL GEAR 23		1			
044	257760-7	SLEEVE 10		1			

045	285847-5	BEARING RETAINER 14-23		1		
046	210069-8	BALL BEARING 6900DDW		1		
047	213435-8	O RING 26		1		
048	318087-1	BEARING BOX		1		
049	324730-2	SPINDLE		1		
050	265034-2	+ COUNTERSUNK HEAD SCREW M5X16		2		
051	345470-9	THICKNESS RING		1		
053	231835-0	TENSION SPRING 4		1		
054	419933-2	SAFETY COVER		1		
055	267127-1	FLAT WASHER 26		1		
056	257938-2	RETAINING RING(EXT) WR-26		1		
057	224391-7	INNER FLANGE 30		1		
058	224404-4	OUTER FLANGE 30		1		
059	266458-5	HEX.SOCKET HEX.BOLT M6X18		1		
060	961014-3	STOP RING E-8		1		
061	272229-0	LEVER 40		1		
062	252159-1	HEX. NUT M6		1		
063	941151-9	FLAT WASHER 6		1		
064	331733-9	PIPE 6		1		
065	252103-8	HEX. LOCK NUT M5-8		1		
066	158252-8	BASE COMPLETE		1		
067	265056-2	+ PAN HEAD SCREW M5		1		
068	266405-6	FLAT H.SQUARE NECK BOLT M6X 75		1		
069	266225-8	H.S.SET SCREW(FLAT POINT)M6X 8		1		
070	251919-8	CAP SQUARE NECK BOLT M6X20		1		
071	251896-4	SCREW M5X20		1		
072	231007-7	COMPRESSION SPRING 6		1		
073	941151-9	FLAT WASHER 6		1		
074	252133-9	HEX. NUT M6		1		
075	272251-7	LEVER 30		1		
076	961014-3	STOP RING E-8		1		
077	267231-6	FLAT WASHER 9		1		
078	620260-4	CONTROLLER		1	*	
078-1	620G70-1	CONTROLLER	<	1		
A01	164095-8	GUIDE RULE		1		
A02	194415-2	DUST NOZZLE SET		1		
C10	911128-8	P.H.SCREW M4X16 WITH WR		1		
A03	***DC18RC	DC18RC FAST CHARGER		1		
A04	194204-5	BATTERY BL1830 SET		2	*	
A04-1	194204-5	BATTERY BL1830 SET	O	2	*	
A04-2	197600-6	BATTERY BL1830B SET	<	2	*	
A04-3	197600-6	BATTERY BL1830B SET	O	2		
A05	783203-8	HEX. WRENCH 5		1		
A06	141485-2	PLASTIC CASE COMPLETE		1		
C10	163455-1	LATCH		2		
C20	419360-3	HANDLE		1		
A07	804E43-2	DSS501RFE PLASTIC CASE LABEL		1	*	
A07-1	804E50-5	DSS501RFE PLASTIC CASE LABEL	<	1	*	
A08	B-09949	T.C.T.SAW BLADE 136X16T		1		

A09	450128-8	BATTERY COVER		1			
E01	688131-1	LINE FILTER		1	*		
E01-1	688131-1	LINE FILTER	O	1			
E02	688161-2	LINE FILTER		1			
F02-2	196235-0	BATTERY BL1815N SET	O	1			
F03-1	196449-1	BATTERY BL1815N SET	O	1			
F04-2	196449-1	BATTERY BL1815N SET	O	1			
046-1	210258-5	BALL BEARING 6900DDW	>	1			
A06	821551-8	CONNECTOR PLASTIC CASE (TYP E3)		1			
C10	453974-8	LATCH		4			
A07	837628-9	INNER TRAY		1			
A10	804E31-9	DSS501RFJ INDICATION LABEL		1			
A11	804E32-7	DSS501RFJ PLASTIC CASE LABEL		2			
A10	804E33-5	DSS501ZJ INDICATION LABEL		1			
A11	804E34-3	DSS501ZJ PLASTIC CASE LABEL		2			
A04	196399-0	BATTERY BL1840 SET		2	*		
A04-1	196399-0	BATTERY BL1840 SET	O	2	*		
A04-2	197265-4	BATTERY BL1840B SET	<	2	*		
A04-3	197265-4	BATTERY BL1840B SET	O	2			
A10	804K94-1	DSS501RMJ INDICATION LABEL		1			
A11	804K95-9	DSS501RMJ PLASTIC CASE LABEL		2			
004	183D71-7	HOUSING SET		1			
005	183D71-7	HOUSING SET		1			
011	456696-9	HANDLE L		1	*		
011-1	140F59-2	HANDLE L COMPLETE	S	1			
019	456697-7	HANDLE R		1	*		
019-1	140F57-6	HANDLE R COMPLETE	S	1			
027	456867-8	GEAR HOUSING		1			
041-1	210196-1	BALL BEARING 696ZZ	O	1			

Please state Parts No. when your order.

Print Date 12/04/2023