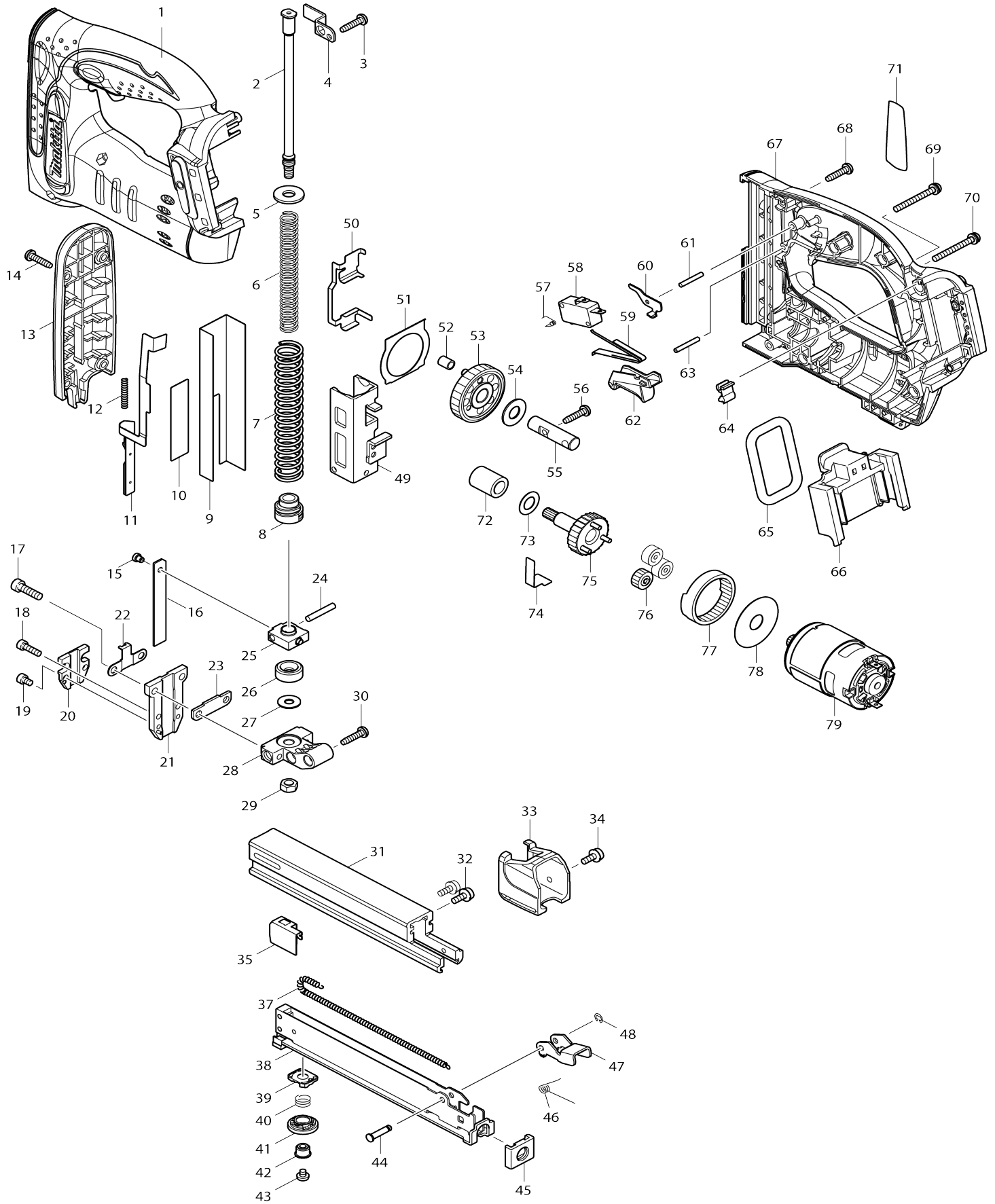


Model No.DST220 CORDLESS STAPLER



Model No.DST220 CORDLESS STAPLER

Item No.	Parts No.	Description	Interchangability	Q'ty	New/Old	Note1	Note2
001	187937-9	HOUSING SET		1			
C10	263005-3	RUBBER PIN 6		2			
D10		INC. 67					
002	325635-9	GUIDE BOLT		1			
003	265995-6	TAPPING SCREW 4X18		1			
004	345907-6	FIX PLATE		1			
005	253762-1	FLAT WASHER 8		1			
006	234060-2	COMPRESSION SPRING 9		1			
007	234101-4	COMPRESSION SPRING 13		1			
008	424135-7	SPRING HOLDER		1			
009	345978-3	GUIDE PLATE		1			
010	345906-8	UPPER PLATE		1			
011	165602-0	SAFETY LEVER		1	*		
011-1	161468-6	SAFETY LEVER	S	1			
012	234078-3	COMPRESSION SPRING 4		1			
013	450539-7	FRONT COVER		1			
014	265995-6	TAPPING SCREW 4X18		4			
015	268157-5	PIN 4		1			
016	345996-1	DRIVER		1			
017	922227-1	HEX. SOCKET HEAD BOLT M5X18		2			
018	266201-2	HEX.SOCKET HEAD BOLT M4X14		2			
019	266199-3	HEX.SOCKET HEAD BOLT M4X6		2			
020	451801-3	SAEFTY LEVER GUIDE		1	*		
020-1	456800-0	SAEFTY LEVER GUIDE	S	1			
021	158759-4	DRIVER GUIDE COMPLETE		1			
022	345910-7	SPRING BASE		1			
023	344670-8	SET PLATE		1			
024	256206-0	PIN 4		1			
025	313150-5	DRIVER LOCK		1			
026	424099-5	CUSHION		1			
027	253804-1	FLAT WASHER 6		1			
028	318267-9	HOLDER		1			
029	931302-2	HEX. NUT M6		1			
030	265995-6	TAPPING SCREW 4X18		1			
031	331842-4	MAIN MAGAZINE		1			
032	911113-1	PAN HEAD SCREW M4X10 WITH WR		2			
033	450540-2	END CAP		1			
034	911113-1	PAN HEAD SCREW M4X10 WITH WR		1			
035	345997-9	PUSHER		1			
037	231854-6	TENSION SPRING 3		1			
038	165532-5	SUB MAGAZINE		1			
039	450775-5	ADJUSTER BASE		1			
040	231323-7	COMPRESSION SPRING 9		1			
041	450702-2	ADJUSTER		1			
042	450774-7	LOCK SLEEVE		1			
043	265127-5	+ PAN HEAD SCREW M4X4		1			

044	268029-4	PIN 4		1		
045	421637-4	MAGAZINE END		1		
046	233528-5	TORSION SPRING 5		1		
047	345861-4	LEVER		1		
048	961017-7	STOP RING E-3		1		
049	165506-6	HAMMER		1		
050	345914-9	SLIDE PLATE		1		
051	343629-2	PLATE		1		
052	257772-0	SLEEVE 5		1		
053	158646-7	SPUR GEAR 55 COMPLETE		1		
054	253171-4	FLAT WASHER 10		1		
055	324947-7	PIN 10		1		
056	265995-6	TAPPING SCREW 4X18		1		
057	233531-6	TORSION SPRING 3		1		
058	651891-8	SWITCH V-15-3A6		1		
059	232240-4	LEAF SPRING		1		
060	345908-4	RELEASE PLATE		1		
061	256221-4	PIN 3		1		
062	450536-3	TRIGGER		1		
063	256221-4	PIN 3		1		
064	424026-2	CUSHION		1		
065	424030-1	CUSHION		1		
066	644811-9	TERMINAL		1		
067	187937-9	HOUSING SET		1		
C10	263005-3	RUBBER PIN 6		2		
D10		INC. 1				
068	265995-6	TAPPING SCREW 4X18		6		
069	911163-6	PAN HEAD SCREW M4X35		1		
070	911163-6	PAN HEAD SCREW M4X35		1		
071	815X74-0	DST220 NAME PLATE		1		
072	214058-5	PLANE BEARING 10		1		
073	253758-2	FLAT WASHER 10		1		
074	232241-2	LEAF SPRING		1		
075	158647-5	SPUR GEAR 7 COMPLETE		1		
076	221961-3	SPUR GEAR 27		3		
077	221999-8	INTERNAL GEAR 69		1		
078	267053-4	FLAT WASHER 12		1		
079	629127-3	DC MOTOR		1		
A01	195246-2	SAFETY GOGGLE		1	*	
A02	251314-2	+ SCREW M4X12		1		
A03	346317-0	HOOK		1		
A04	141074-3	PLASTIC CARRYING CASE COMPLETE		1		
C10	324667-3	SHAFT		1		
C20	413098-2	PLATE		4		
C30	417724-5	LATCH		2		
C40	419215-2	PLASTIC CASE LID		1		
C50	419216-0	HANDLE		1		
A05	804N25-8	DST220RFE PLASTIC CASE LABEL		1		
A06	194065-3	BATTERY BL1430 SET		2	*	
A06-1	194065-3	BATTERY BL1430 SET	O	2	*	
A06-2	197616-1	BATTERY BL1430B SET	<	2	*	

A06-3	197616-1	BATTERY BL1430B SET	O	2		
A07	450128-8	BATTERY COVER		1		
A08	***DC18RC	DC18RC FAST CHARGER		1		
A04	821550-0	CONNECTOR PLASTIC CASE (TYPE2)		1		
C10	453974-8	LATCH		4		
A05	837640-9	INNER TRAY		1		
A09	804N20-8	DST220RFJ INDICATION LABEL		1		
A10	804N23-2	DST220RFJ PLASTIC CASE LABEL		2		
A09	804N21-6	DST220ZJ INDICATION LABEL		1		
A10	804N24-0	DST220ZJ PLASTIC CASE LABEL		2		

Please state Parts No. when your order.

Print Date 10/23/2023