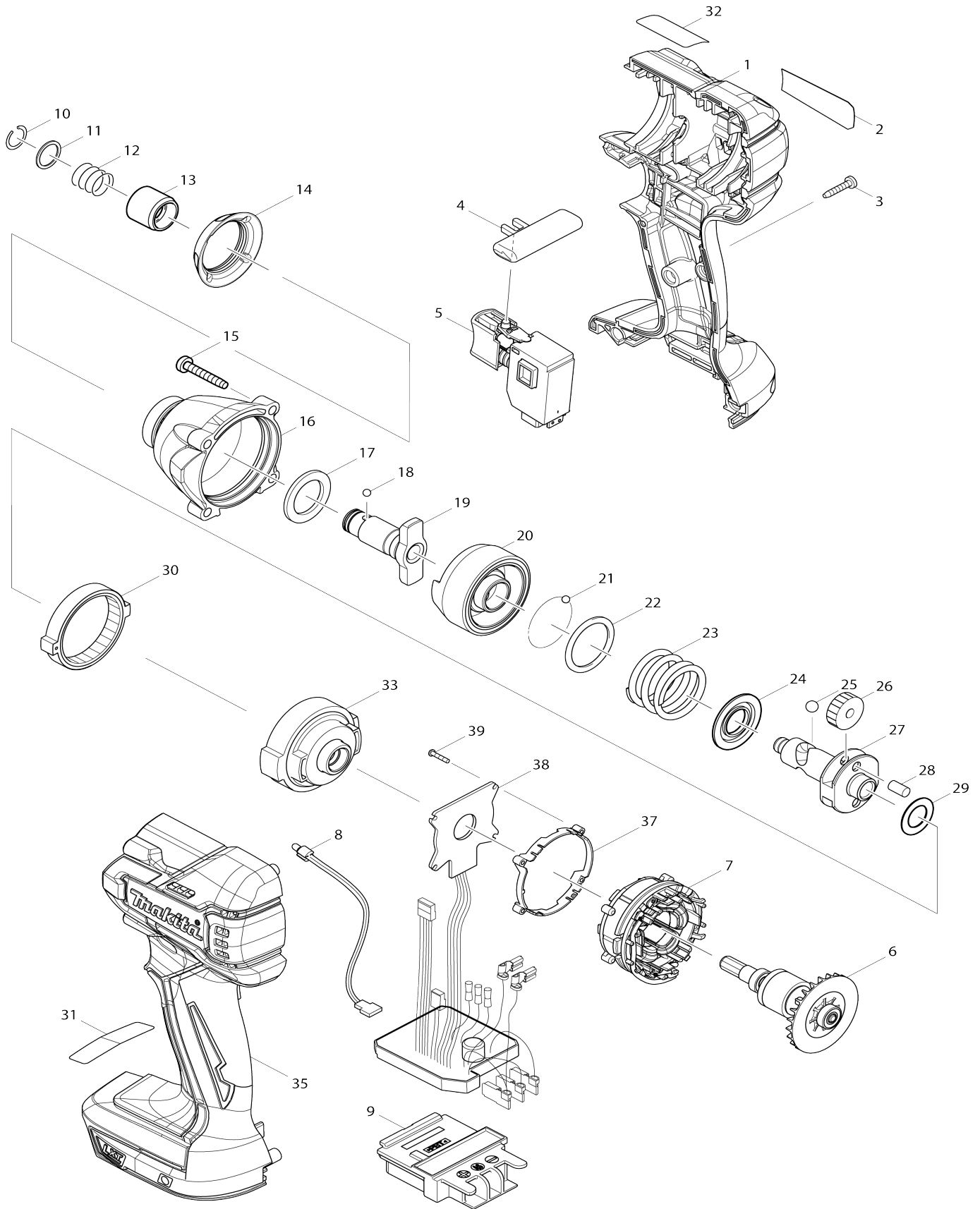


# Model No.DTD129 CORDLESS IMPACT DRIVER



Model No.DTD129 CORDLESS IMPACT DRIVER

Item No.	Parts No.	Description	Interc hang eabilit y	Q'ty	New/ Old	Note1	Note2
001	187455-7	HOUSING SET		1	*		
C10	263005-3	RUBBER PIN 6		2	*		
D10		INC. 35					
001-1	187455-7	HOUSING SET	O	1			
C10	263005-3	RUBBER PIN 6		2			
D10		INC. 35					
002	815A11-6	DTD129 NAME PLATE		1			
003	266429-2	TAPPING SCREW 3X16		8			
004	419041-9	F/R CHANGE LEVER		1			
005	650689-0	SWITCH C3JW-2B		1			
006	619303-7	ROTOR		1			
007	629959-8	STATOR		1			
008	620163-2	LED CIRCUIT		1	*		
008-1	620624-2	LED CIRCUIT	<	1			
009	643860-3	TERMINAL		1			
010	231951-8	RING SPRING 11		1			
011	267085-1	FLAT WASHER 12		1			
012	233005-7	COMPRESSION SPRING 13		1			
013	324420-7	SLEEVE		1			
014	424513-1	BUMPER		1			
015	266374-1	TAPPING SCREW 4X25		4			
016	141633-3	HAMMER CASE COMPLETE		1			
017	261151-6	NYLON WASHER 19		1			
018	216001-0	STEEL BALL 3.5		2	*		
018-1	216040-0	STEEL BALL 3.5	O	2			
019	326188-1	ANVIL M		1			
020	326110-8	HAMMER		1			
021	216001-0	STEEL BALL 3.5		24	*		
021-1	216040-0	STEEL BALL 3.5	O	24			
022	267175-0	FLAT WASHER 24		1			
023	233430-2	COMPRESSION SPRING 24		1			
024	267766-7	CUP WASHER 14		1			
025	216011-7	STEEL BALL 5.6		2	*		
025-1	216041-8	STEEL BALL 5.6	O	2			
026	226336-1	SPUR GEAR 22		2	*		
026-1	227362-3	SPUR GEAR 22	<	2			
027	326109-3	SPINDLE		1			
028	256253-1	PIN 5		2			
029	267212-0	FLAT WASHER 12		1			
030	227279-0	INTERNAL GEAR 51		1			
033	141693-5	INTERNAL GEAR CASE COMPLETE		1			
035	187455-7	HOUSING SET		1	*		
C10	263005-3	RUBBER PIN 6		2	*		
D10		INC. 1					
035-1	187455-7	HOUSING SET	O	1			
C10	263005-3	RUBBER PIN 6		2			
D10		INC. 1					

037	687464-1	SUPPORT		1		
038	620161-6	CONTROLLER		1		
039	266786-8	+ PAN HEAD TAPPING SCREW 2X 10		4		
A01	251314-2	+ SCREW M4X12		1		
A02	346317-0	HOOK		1		
F09	194281-7	STOPPER SET (W/BITS)		1		
F13	194513-2	BATTERY BL1815 SET		1		
F15	194649-7	BATTERY PROTECTOR		1		
F16-3	197606-4	BATTERY BL1830B SET (2PIECES)	O	1		
F19	195445-6	BATTERY BL1815 SET		1		
F20	195779-7	HOOK SET		1		
F21-2	197043-2	TOOL HANGER SET	O	1		
F43-1	196235-0	BATTERY BL1815N SET	O	1		
F45-2	196235-0	BATTERY BL1815N SET	O	1		
F46-1	196449-1	BATTERY BL1815N SET	O	1		
F47-2	196449-1	BATTERY BL1815N SET	O	1		
A02	346449-3	HOOK		1		
A03	***DC18SD	DC18SD BATTERY CHARGER		1		
A04	194513-2	BATTERY BL1815 SET		2		
A05	450128-8	BATTERY COVER		1		
A06	158597-4	PLASTIC CASE COMPLETE		1		
C10	324679-6	SHAFT		1		
C20	417724-5	LATCH		2		
C30	419216-0	HANDLE		1		
A07	802K14-9	DTD129SHE PLASTIC CASE LABEL		2		
A03	***DC18RC	DC18RC FAST CHARGER		1		
A04	194204-5	BATTERY BL1830 SET		2	*	
A04-1	194204-5	BATTERY BL1830 SET	O	2	*	
A04-2	197600-6	BATTERY BL1830B SET	<	2	*	
A04-3	197600-6	BATTERY BL1830B SET	O	2		
A06	821550-0	CONNECTOR PLASTIC CASE (TYP E2)		1		
C10	453974-8	LATCH		4		
A07	837670-0	INNER TRAY		1		
A08	802K19-9	DTD129RFJ PLASTIC CASE LABEL		2		
A09	802K33-5	DTD129RFJ INDICATION LABEL		1		
A03	821550-0	CONNECTOR PLASTIC CASE (TYP E2)		1		
C10	453974-8	LATCH		4		
A04	837670-0	INNER TRAY		1		
A05	802K20-4	DTD129ZJ PLASTIC CASE LABEL		2		
A06	802K34-3	DTD129ZJ INDICATION LABEL		1		
A04	196399-0	BATTERY BL1840 SET		2	*	
A04-1	196399-0	BATTERY BL1840 SET	O	2	*	
A04-2	197265-4	BATTERY BL1840B SET	<	2	*	
A04-3	197265-4	BATTERY BL1840B SET	O	2		
A07	802K22-0	DTD129RME PLASTIC CASE LABE L		2		
A08	802K23-8	DTD129RMJ PLASTIC CASE LABEL		2		
A09	802K35-1	DTD129RMJ INDICATION LABEL		1		
A07	837862-1	INNER TRAY		1		

A08	802K25-4	DTD129SHJ PLASTIC CASE LABEL		2			
A09	802K36-9	DTD129SHJ INDICATION LABEL		1			
A04	196235-0	BATTERY BL1815N SET		2	*		
A04-1	196235-0	BATTERY BL1815N SET	O	2			
A07	803F83-3	DTD129SYE PLASTIC CASE LABEL		2			
A08	803F84-1	DTD129SYJ PLASTIC CASE LABEL		2			
A09	803F85-9	DTD129SYJ INDICATION LABEL		1			

Please state Parts No. when your order.

Print Date 16/10/2023