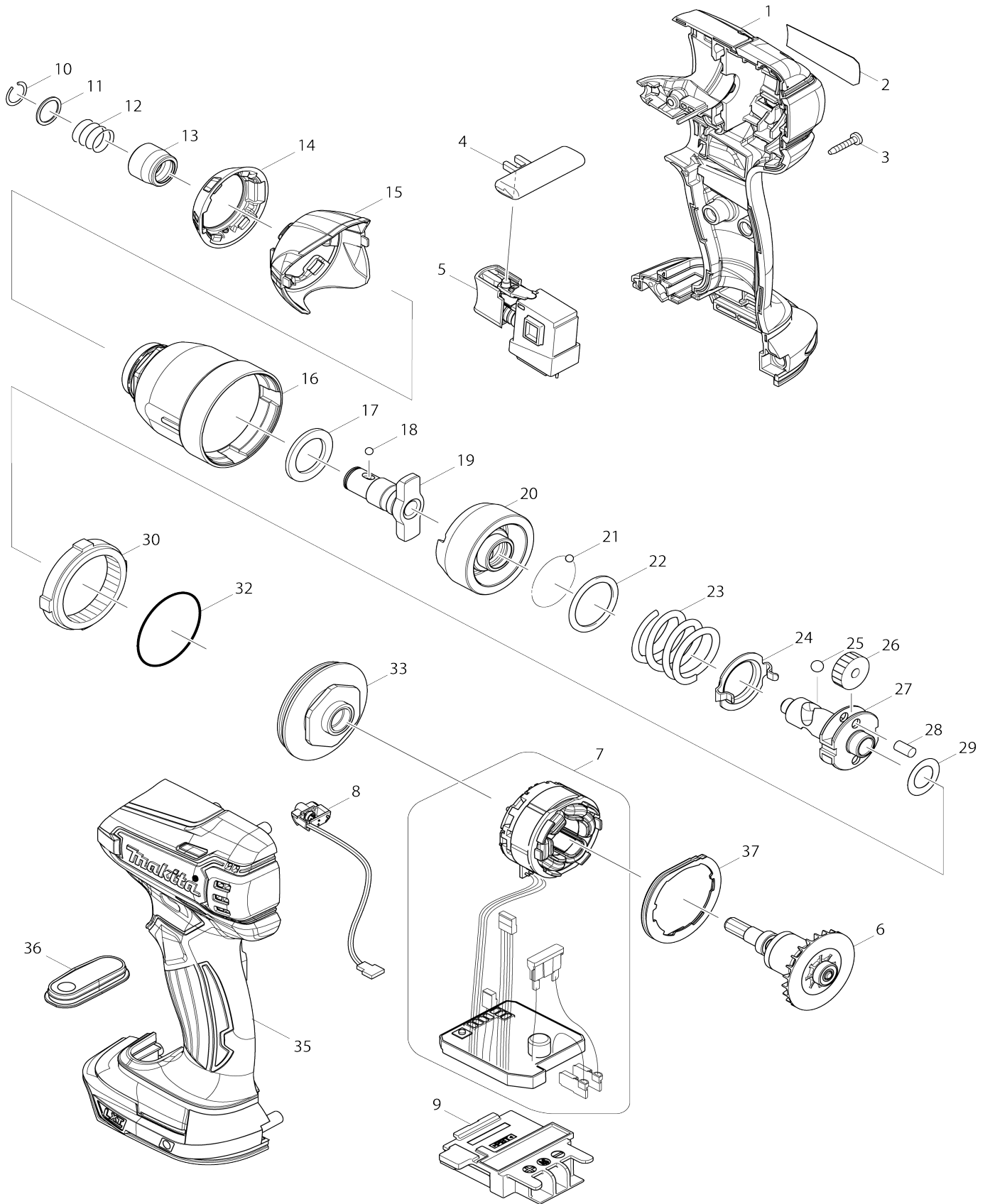


Model No.DTD136 CORDLESS IMPACT DRIVER



Model No.DTD136 CORDLESS IMPACT DRIVER

Item No.	Parts No.	Description	Interchangability	Q'ty	New/Old	Note1	Note2
001	187383-6	HOUSING SET		1			
C10	263005-3	RUBBER PIN 6		2			
D10		INC. 35					
002	815K90-4	DTD136 NAME PLATE		1			
003	266130-9	TAPPING SCREW BIND PT 3X16		9			
004	419041-9	F/R CHANGE LEVER		1			
005	141448-8	SWITCH COMPLETE		1			
C10	424496-5	SEAL		1			
006	619297-6	ROTOR		1	*		
006-1	619353-2	ROTOR	<	1			
007	632A39-7	STATOR UNIT		1			
008	620136-5	LED CIRCUIT		1			
009	643850-6	TERMINAL		1			
010	231951-8	RING SPRING 11		1			
011	267085-1	FLAT WASHER 12		1			
012	233005-7	COMPRESSION SPRING 13		1			
013	326072-0	BIT SLEEVE		1			
014	424495-7	BUMPER		1			
015	453664-3	HAMMER CASE COVER		1			
016	141477-1	HAMMER CASE COMPLETE		1			
017	261151-6	NYLON WASHER 19		1			
018	216001-0	STEEL BALL 3.5		2			
019	326071-2	ANVIL M		1			
020	326054-2	HAMMER		1			
021	216001-0	STEEL BALL 3.5		24			
022	267175-0	FLAT WASHER 24		1			
023	233430-2	COMPRESSION SPRING 24		1			
024	346466-3	PLATE		1			
025	216011-7	STEEL BALL 5.6		2			
026	227233-4	SPUR GEAR 22		2	*		
026-1	227362-3	SPUR GEAR 22	<	2			
027	326066-5	SPINDLE		1			
028	256253-1	PIN 5		2			
029	253362-7	THIN WASHER 12		1			
030	227150-8	INTERNAL GEAR 51		1			
032	213507-9	O RING 40		1			
033	158145-9	BEARING BOX COMPLETE		1			
035	187383-6	HOUSING SET		1			
C10	263005-3	RUBBER PIN 6		2			
D10		INC. 1					
036	141583-2	SWITCH PLATE COMPLETE		1	*		
036-1	141583-2	SWITCH PLATE COMPLETE	<	1			
037	453665-1	BAFFLE PLATE		1			
A01	346317-0	HOOK		1			
A02	266622-8	+ TRUSS HEAD SCREW M4X12		1			
F04	194281-7	STOPPER SET (W/BITS)		1			
F05	194649-7	BATTERY PROTECTOR		1			

C10	251314-2	+ SCREW M4X12		2		
F06	195779-7	HOOK SET		1		
C10	251314-2	+ SCREW M4X12		1		
F07-2	197043-2	TOOL HANGER SET	O	1		
F10	194558-0	BATTERY BL1415 SET		1		
F11-3	197622-6	BATTERY BL1430B SET(2PIECES)	O	1		
F12	195443-0	BATTERY BL1415 SET		1		
F13-3	197615-3	BATTERY BL1430B SET	O	1		
F36	196168-9	BATTERY BL1415 SET		1		
F37-2	196386-9	BATTERY BL1440 SET	O	1		
F38-2	196388-5	BATTERY BL1440 SET	O	1		
F39-2	196393-2	BATTERY BL1440 SET (2PIECES)	O	1		
A03	***DC18RC	DC18RC FAST CHARGER		1		
A04	194065-3	BATTERY BL1430 SET		2	*	
A04-1	194065-3	BATTERY BL1430 SET	O	2	*	
A04-2	197616-1	BATTERY BL1430B SET	<	2	*	
A04-3	197616-1	BATTERY BL1430B SET	O	2		
A05	450128-8	BATTERY COVER		1		
A06	824979-9	PLASTIC CARRYING CASE		1		
C10	162302-3	LATCH		2		
C20	324319-6	SHAFT		1		
C30	451749-9	HANDLE		1		
A07	803J21-9	DTD136RFE PLASTIC CASE LABEL		2		
A06	821550-0	CONNECTOR PLASTIC CASE (TYP E2)		1		
C10	453974-8	LATCH		4		
A07	837670-0	INNER TRAY		1		
A08	803J17-0	DTD136RFJ INDICATION LABEL		1		
A09	803J19-6	DTD136RFJ PLASTIC CASE LABEL		2		
A08	803J18-8	DTD136ZJ INDICATION LABEL		1		
A09	803J20-1	DTD136ZJ PLASTIC CASE LABEL		2		
A04	196388-5	BATTERY BL1440 SET		2	*	
A04-1	196388-5	BATTERY BL1440 SET	O	2	*	
A04-2	196388-5	BATTERY BL1440 SET	O	2		
A08	804C68-4	DTD136RMJ INDICATION LABEL		1		
A09	804C69-2	DTD136RMJ PLASTIC CASE LABEL		2		

Please state Parts No. when your order.

Print Date 16/10/2023