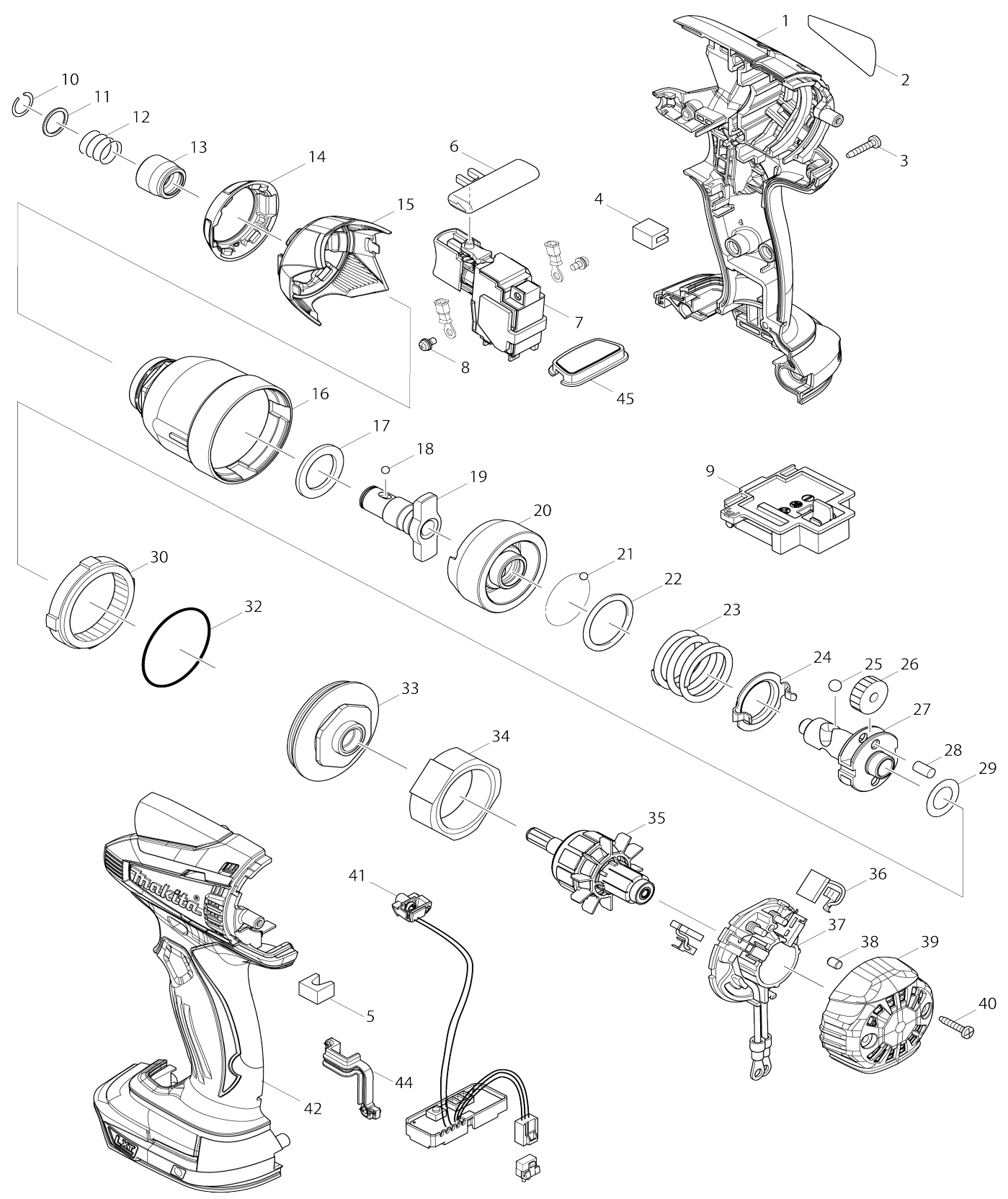


# Model No.DTD146 CORDLESS IMPACT DRIVER



Model No.DTD146 CORDLESS IMPACT DRIVER

Item No.	Parts No.	Description	Interchangeability	Q'ty	New/Old	Note1	Note2
001	187116-9	HOUSING SET		1			
C10	263005-3	RUBBER PIN 6		2			
D10		INC. 42					
002	815D17-2	DTD146 NAME PLATE		1	*		
002-1	857G84-9	DTD146 NAME PLATA	S	1			
003	266429-2	TAPPING SCREW 3X16		8			
004	423423-9	SPONGE B		1			
005	423422-1	SPONGE A		1			
006	419041-9	F/R CHANGE LEVER		1			
007	650722-8	SWITCH TG573FSB-1		1	*		
007-1	650722-8	SWITCH TG573FSB-1	O	1			
008	652045-0	+PAN HEAD SCREW M3.5X5		2			
009	643852-2	TERMINAL		1			
010	231951-8	RING SPRING 11		1			
011	267085-1	FLAT WASHER 12		1			
012	233005-7	COMPRESSION SPRING 13		1			
013	326072-0	BIT SLEEVE		1			
014	424429-0	BUMPER		1			
015	452837-5	HAMMER CASE COVER		1			
016	140946-9	HAMMER CASE COMPLETE		1			
017	261151-6	NYLON WASHER 19		1			
018	216001-0	STEEL BALL 3.5		2	*		
018-1	216040-0	STEEL BALL 3.5	O	2			
019	326071-2	ANVIL M		1			
020	326054-2	HAMMER		1			
021	216001-0	STEEL BALL 3.5		24	*		
021-1	216040-0	STEEL BALL 3.5	O	24			
022	267175-0	FLAT WASHER 24		1			
023	233430-2	COMPRESSION SPRING 24		1			
024	346466-3	PLATE		1			
025	216011-7	STEEL BALL 5.6		2	*		
025-1	216041-8	STEEL BALL 5.6	O	2			
026	227233-4	SPUR GEAR 22		2	*		
026-1	227362-3	SPUR GEAR 22	<	2	*		
026-2	227362-3	SPUR GEAR 22	O	2			
027	326066-5	SPINDLE		1			
028	256253-1	PIN 5		2			
029	253362-7	THIN WASHER 12		1			
030	227150-8	INTERNAL GEAR 51		1			
032	213507-9	O RING 40		1			
033	158145-9	BEARING BOX COMPLETE		1			
034	638396-5	YOKE UNIT		1	*		
034-1	632U16-9	YOKE UNIT	O	1			
035	619247-1	ARMATURE		1	*		
035-1	619372-8	ARMATURE	<	1			
036	194427-5	CARBON BRUSH SET CB-440		1			
037	638895-7	BRUSH HOLDER COMPLETE		1			

C10	688161-2	LINE FILTER		1		
038	263032-0	RUBBER PIN 4		2		
039	452832-5	REAR COVER		1		
040	266429-2	TAPPING SCREW 3X16		2		
041	620052-1	LIGHT CIRCUIT		1		
042	187116-9	HOUSING SET		1		
C10	263005-3	RUBBER PIN 6		2		
D10		INC. 1				
044	424430-5	SEAL		1		
045	140963-9	SWITCH PLATE COMPLETE		1		
046	857G85-7	DTD146 SERIAL NO. LABEL	S	1		
A01	266622-8	+ TRUSS HEAD SCREW M4X12		1		
A02	346449-3	HOOK		1		
F03	194281-7	STOPPER SET (W/BITS)		1		
F05	194649-7	BATTERY PROTECTOR		1		
C10	251314-2	+ SCREW M4X12		2		
F06	194654-4	HOOK SET		1		
C10	251314-2	+ SCREW M4X12		1		
C20	324705-1	HOOK		1		
F16	195798-3	BATTERY PROTECTOR SET		1		
F17-2	197043-2	TOOL HANGER SET	O	1		
F19-2	196235-0	BATTERY BL1815N SET	O	1		
F20-1	196449-1	BATTERY BL1815N SET	O	1		
F21-2	196449-1	BATTERY BL1815N SET	O	1		
A02	346317-0	HOOK		1		
A03	450128-8	BATTERY COVER		1		
A04	***DC18RC	DC18RC FAST CHARGER		1		
A05	194204-5	BATTERY BL1830 SET		2	*	
A05-1	194204-5	BATTERY BL1830 SET	O	2	*	
A05-2	197600-6	BATTERY BL1830B SET	<	2	*	
A05-3	197600-6	BATTERY BL1830B SET	O	2		
A06	824979-9	PLASTIC CARRYING CASE		1		
A07	802S10-5	DTD146RFE PLASTIC CASE LABEL		2	*	
A07-1	808A37-5	DTD146RFE PLASTIC CASE LABEL	<	2		
A06	821550-0	CONNECTOR PLASTIC CASE (TYP E2)		1		
C10	453974-8	LATCH		4		
A07	837670-0	INNER TRAY		1		
A08	802S00-8	DTD146RFJ INDICATION LABEL		1		
A09	802S04-0	DTD146RFJ PLASTIC CASE LABEL		2		
A03	821550-0	CONNECTOR PLASTIC CASE (TYP E2)		1		
C10	453974-8	LATCH		4		
A04	837670-0	INNER TRAY		1		
A05	802S02-4	DTD146ZJ INDICATION LABEL		1		
A06	802S06-6	DTD146ZJ PLASTIC CASE LABEL		2		
A08	802S01-6	DTD146RF3J INDICATION LABEL		1		
A09	802S05-8	DTD146RF3J PLASTIC CASE LABEL		2		
001	187684-2	HOUSING SET		1		
039	452833-3	REAR COVER		1		
042	187684-2	HOUSING SET		1		

Please state Parts No. when your order.

Print Date 16/10/2023