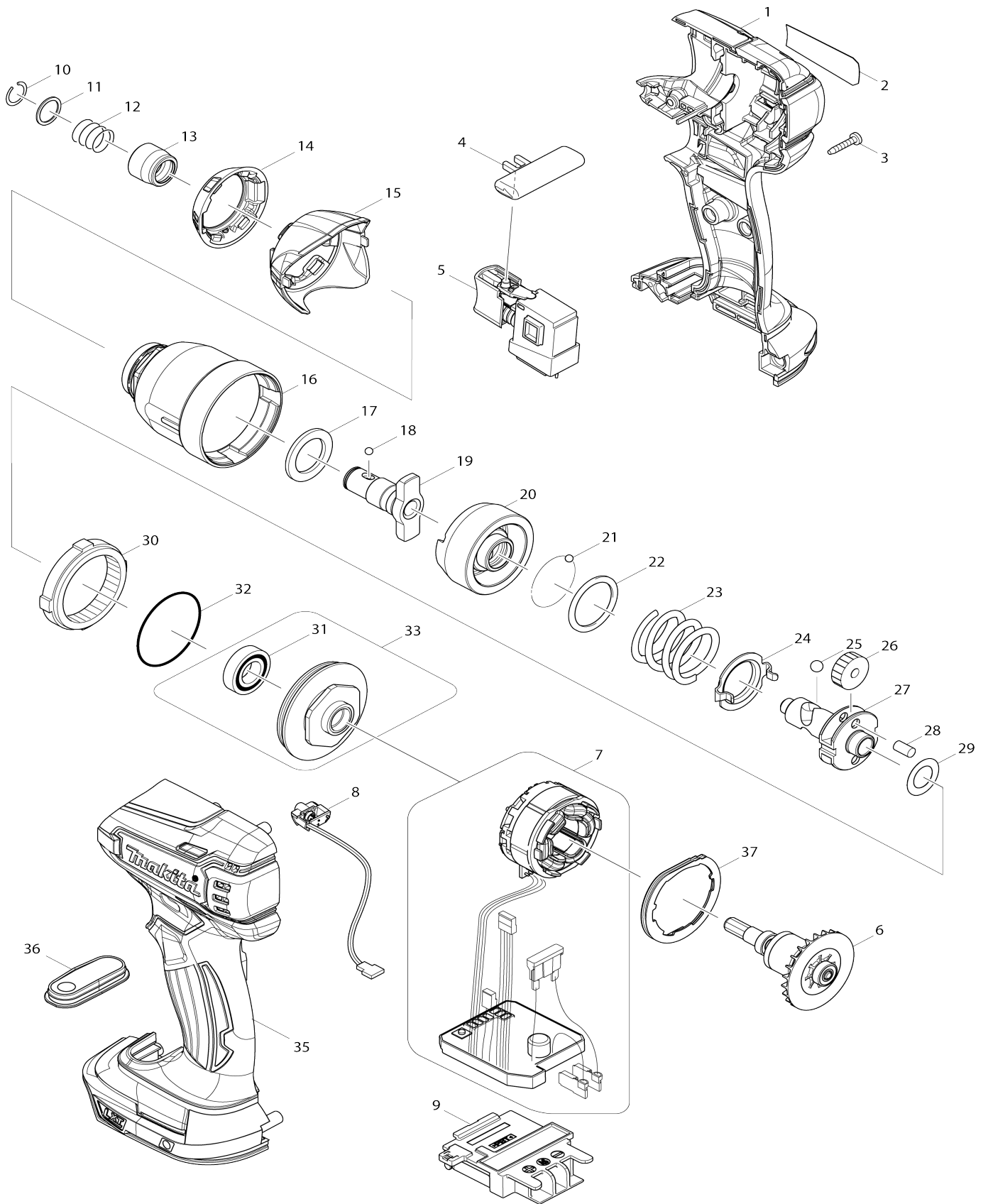


Model No.DTD147 CORDLESS IMPACT DRIVER



F04	194281-7	STOPPER SET (W/BITS)		1		
F05	194649-7	BATTERY PROTECTOR		1		
C10	251314-2	+ SCREW M4X12		2		
F06	195779-7	HOOK SET		1		
C10	251314-2	+ SCREW M4X12		1		
F07-2	197043-2	TOOL HANGER SET	O	1		
F13	194513-2	BATTERY BL1815 SET		1		
F14-3	197606-4	BATTERY BL1830B SET (2PIECES)	O	1		
F15	195445-6	BATTERY BL1815 SET		1		
F38-2	196235-0	BATTERY BL1815N SET	O	1		
F39-1	196449-1	BATTERY BL1815N SET	O	1		
F40-2	196449-1	BATTERY BL1815N SET	O	1		
F50	195798-3	BATTERY PROTECTOR SET		1		
A03	***DC18RC	DC18RC FAST CHARGER		1		
A04	194204-5	BATTERY BL1830 SET		2	*	
A04-1	194204-5	BATTERY BL1830 SET	O	2	*	
A04-2	197600-6	BATTERY BL1830B SET	<	2	*	
A04-3	197600-6	BATTERY BL1830B SET	O	2		
A05	450128-8	BATTERY COVER		1		
A06	824979-9	PLASTIC CARRYING CASE		1		
C10	162302-3	LATCH		2		
C20	324319-6	SHAFT		1		
C30	451749-9	HANDLE		1		
A07	802U46-6	DTD147RFE PLASTIC CASE LABEL		2		
A06	821550-0	CONNECTOR PLASTIC CASE (TYP E2)		1		
C10	453974-8	LATCH		4		
A07	837670-0	INNER TRAY		1		
A08	802U39-3	DTD147RFJ INDICATION LABEL		1		
A09	802U43-2	DTD147RFJ PLASTIC CASE LABEL		2		
A03	821550-0	CONNECTOR PLASTIC CASE (TYP E2)		1		
C10	453974-8	LATCH		4		
A04	837670-0	INNER TRAY		1		
A05	802U40-8	DTD147ZJ INDICATION LABEL		1		
A06	802U44-0	DTD147ZJ PLASTIC CASE LABEL		2		

Please state Parts No. when your order.

Print Date 16/10/2023