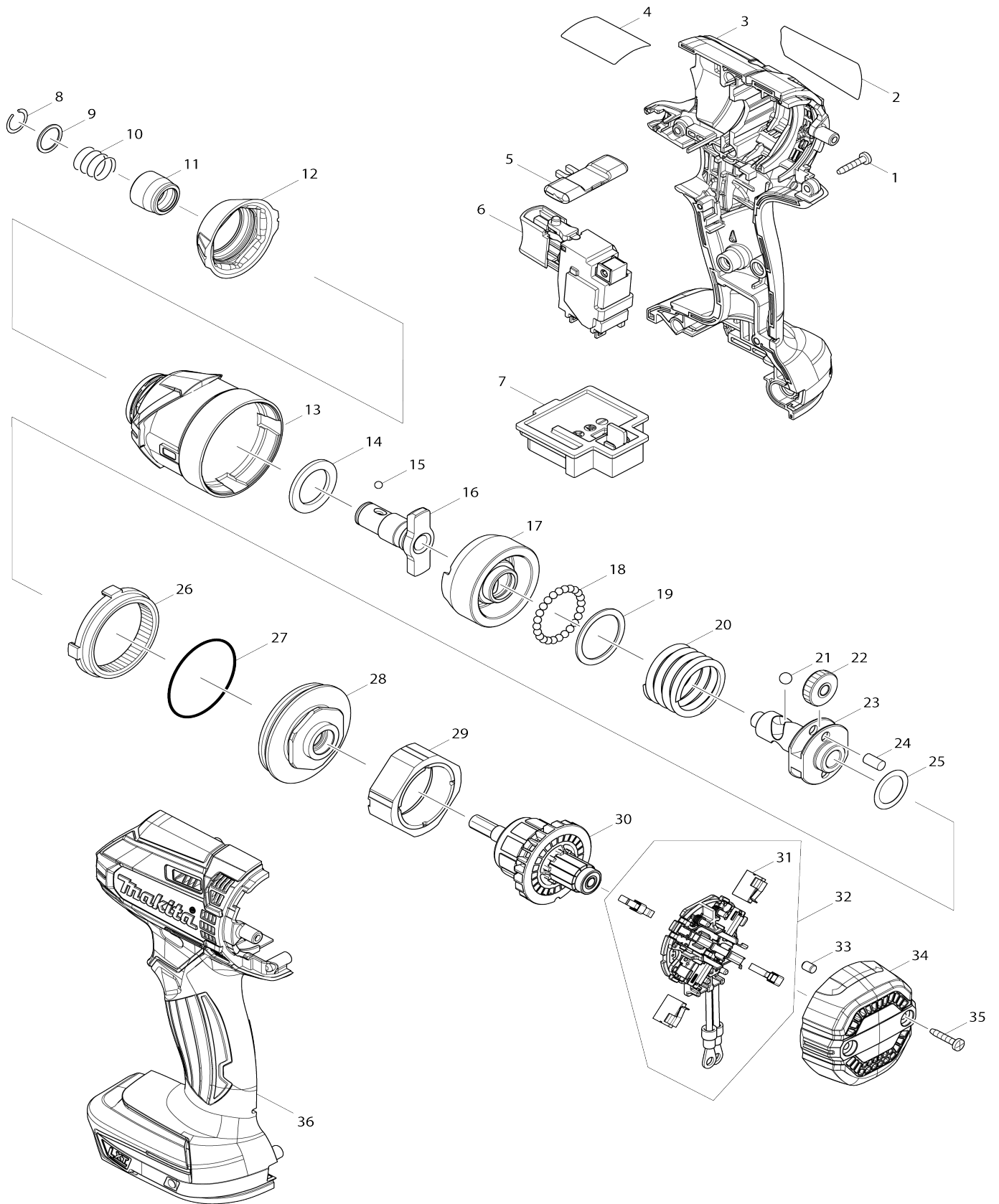


# Model No.DTD152 CORDLESS IMPACT DRIVER



Model No.DTD152 CORDLESS IMPACT DRIVER

Item No.	Parts No.	Description	Interchangability	Q'ty	New/Old	Note1	Note2
001	266429-2	TAPPING SCREW 3X16		8	*		
001-1	266130-9	TAPPING SCREW BIND PT 3X16	O	8			
002	851E29-7	DTD152 NAME PLATE		1			
003	183B63-4	HOUSING SET		1			
C10	263005-3	RUBBER PIN 6		2			
D10		INC. 36					
005	455053-8	F/R CHANGE LEVER		1			
006	632F26-6	SWITCH UNIT		1			
C10	620445-2	LED CIRCUIT		1			
C20	688164-6	LINE FILTER		1			
007	643852-2	TERMINAL		1			
008	231951-8	RING SPRING 11		1			
009	267085-1	FLAT WASHER 12		1			
010	233005-7	COMPRESSION SPRING 13		1			
011	326072-0	BIT SLEEVE		1			
012	424738-7	BUMPER		1			
013	143299-5	HAMMER CASE COMPLETE		1			
014	261151-6	NYLON WASHER 19		1			
015	216040-0	STEEL BALL 3.5		2			
016	326565-7	ANVIL M		1			
017	326564-9	HAMMER		1			
018	216040-0	STEEL BALL 3.5		24			
019	267175-0	FLAT WASHER 24		1			
020	234251-5	COMPRESSION SPRING 25		1			
021	216041-8	STEEL BALL 5.6		2			
022	227362-3	SPUR GEAR 22		2			
023	326562-3	SPINDLE		1			
024	256253-1	PIN 5		2			
025	253314-8	THIN WASHER 15		1			
026	227378-8	INTERNAL GEAR 51		1			
027	213507-9	O RING 40		1			
028	143298-7	BEARING BOX COMPLETE		1			
029	638396-5	YOKE UNIT		1	*		
029-1	632F93-1	YOKE UNIT	<	1			
030	619377-8	ARMATURE		1			
031	196854-2	CARBON BRUSH CB-448		2			
032	632F25-8	BRUSH HOLDER COMPLETE		1			
C10	688172-7	LINE FILTER		1			
C20	654037-5	INSULATED TERM. FT1.25-M3		2			
D10		INC. 31					
033	263032-0	RUBBER PIN 4		4			
034	456044-2	REAR COVER		1			
035	266429-2	TAPPING SCREW 3X16		2	*		
035-1	266130-9	TAPPING SCREW BIND PT 3X16	O	2			
036	183B63-4	HOUSING SET		1			
C10	263005-3	RUBBER PIN 6		2			
D10		INC. 3					

A01	346317-0	HOOK		1		
A02	266622-8	+ TRUSS HEAD SCREW M4X12		1		
E01	654015-5	EARTH TERMINAL		1		
E02	654501-6	CONNECTOR P-1.25		1		
F02	194281-7	STOPPER SET (W/BITS)		1		
F04	194649-7	BATTERY PROTECTOR		1		
C10	251314-2	+ SCREW M4X12		2		
F05	194654-4	HOOK SET		1		
C10	251314-2	+ SCREW M4X12		1		
C20	324705-1	HOOK		1		
A03	821550-0	CONNECTOR PLASTIC CASE (TYP E2)		1		
C10	453974-8	LATCH		4		
A04	450128-8	BATTERY COVER		1		
A05	***DC18RC	DC18RC FAST CHARGER		1		
A06	197265-4	BATTERY BL1840B SET		2	*	
A06-1	197265-4	BATTERY BL1840B SET	O	2		
A07	837670-0	INNER TRAY		1		
A08	808J38-7	DTD152RMJ INDICATION LABEL		1	*	
A08-1	816N02-8	DTD152RMJ INDICATION LABEL	O	1		
A09	808J39-5	DTD152RMJ PLASTIC CASE LABEL		2	*	
A09-1	816N03-6	DTD152RMJ PLASTIC CASE LABEL	X	2		
A06	197280-8	BATTERY BL1850B SET		2	*	
A06-1	197280-8	BATTERY BL1850B SET	O	2		
A08	808W01-8	DTD152RTJ INDICATION LABEL		1	*	
A08-1	816N07-8	DTD152RTJ INDICATION LABEL	O	1		
A09	808W05-0	DTD152RTJ PLASTIC CASE LABEL		2	*	
A09-1	816N08-6	DTD152RTJ PLASTIC CASE LABEL	X	2		

Please state Parts No. when your order.

Print Date 16/10/2023