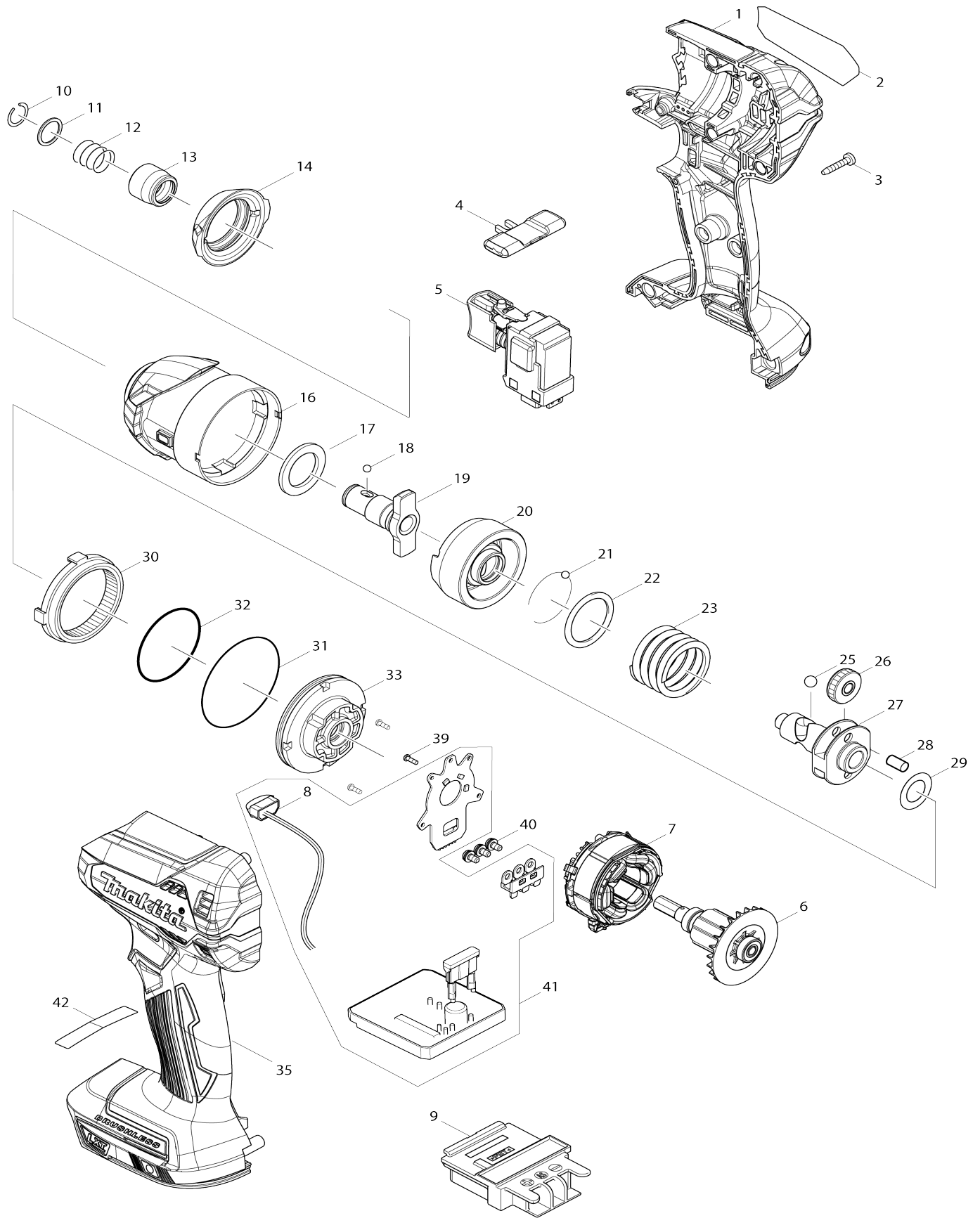


Model No.DTD153 CORDLESS IMPACT DRIVER



Model No.DTD153 CORDLESS IMPACT DRIVER

Item No.	Parts No.	Description	Interchangability	Q'ty	New/Old	Note1	Note2
001	183E35-7	HOUSING SET		1			
C10	263005-3	RUBBER PIN 6		2			
C20	252126-6	HEX. LOCK NUT M4-7		2	*		
D10		INC. 35					
002	852K79-1	DTD153 NAME PLATE		1	*		
002-1	857L39-4	DTD153 NAME PLATE	S	1			
003	266429-2	TAPPING SCREW 3X16		9	*		
003-1	266130-9	TAPPING SCREW BIND PT 3X16	O	9			
004	455053-8	F/R CHANGE LEVER		1			
005	143975-1	SWITCH COMPLETE		1	*		
005-1	141N42-0	SWITCH COMPLETE	O	1			
006	619404-1	ROTOR		1	*		
006-1	619404-1	ROTOR	O	1			
007	629224-5	STATOR		1			
008	620557-1	LED CIRCUIT		1			
009	643860-3	TERMINAL		1			
010	231951-8	RING SPRING 11		1			
011	267085-1	FLAT WASHER 12		1			
012	233005-7	COMPRESSION SPRING 13		1			
013	326072-0	BIT SLEEVE		1			
014	424888-8	BUMPER		1			
016	143957-3	HAMMER CASE COMPLETE		1			
017	261151-6	NYLON WASHER 19		1			
018	216040-0	STEEL BALL 3.5		2			
019	326565-7	ANVIL M		1			
020	326564-9	HAMMER		1			
021	216040-0	STEEL BALL 3.5		24			
022	267175-0	FLAT WASHER 24		1			
023	234251-5	COMPRESSION SPRING 25		1			
025	216041-8	STEEL BALL 5.6		2			
026	227362-3	SPUR GEAR 22		2			
027	326562-3	SPINDLE		1			
028	256253-1	PIN 5		2			
029	253314-8	THIN WASHER 15		1			
030	227378-8	INTERNAL GEAR 51		1			
031	213606-7	O RING 48		1			
032	213507-9	O RING 40		1			
033	143958-1	BEARING BOX COMPLETE		1			
035	183E35-7	HOUSING SET		1			
C10	263005-3	RUBBER PIN 6		2			
C20	252126-6	HEX. LOCK NUT M4-7		2	*		
D10		INC. 1					
039	266490-9	TAPPING SCREW PT 2X6		3	*		
039-1	265C47-1	TAPPING SCREW PT 2X6	O	3			
040	652069-6	FLAT HEAD SCREW M3X6		3			
041	620563-6	CONTROLLER		1	*		
D10		INC. 8					

041-1	620J73-3	CONTROLLER	O	1	*		
D10		INC. 8					
041-2	620563-6	CONTROLLER	O	1			
D10		INC. 8					
043	857L40-9	DTD153 SERIAL NO. LABEL	S	1			
A01	266622-8	+ TRUSS HEAD SCREW M4X12		1			
A02	346317-0	HOOK		1			
F02	194281-7	STOPPER SET (W/BITS)		1			
F04	194649-7	BATTERY PROTECTOR		1			
F05	194654-4	HOOK SET		1			
F06-1	197043-2	TOOL HANGER SET	O	1			
A03	450128-8	BATTERY COVER		1			
A04	***DC18RC	DC18RC FAST CHARGER		1			
D10		COMPO-PARTS					
A05	197600-6	BATTERY BL1830B SET		2	*		
A05-1	197600-6	BATTERY BL1830B SET	O	2			
A06	821550-0	CONNECTOR PLASTIC CASE (TYP E2)		1			
C10	453974-8	LATCH		4			
A07	837670-0	INNER TRAY		1			
A08	809T94-0	DTD153RFJ INDICATION LABEL		1	*		
A08-1	819Y15-4	DTD153RFJ INDICATION LABEL	O	1			
A09	809T95-8	DTD153RFJ PLASTIC CASE LABEL		2	*		
A09-1	809T98-2	DTD153RFJ PLASTIC CASE LABEL	O	2	*		
A09-2	819Y16-2	DTD153RFJ PLASTIC CASE LABEL	O	2			
A05	197280-8	BATTERY BL1850B SET		2	*		
A05-1	197280-8	BATTERY BL1850B SET	O	2			
A08	809T99-0	DTD153RTJ INDICATION LABEL		1	*		
A08-1	819Y19-6	DTD153RTJ INDICATION LABEL	O	1			
A09	809U00-1	DTD153RTJ PLASTIC CASE LABEL		2	*		
A09-1	809U03-5	DTD153RTJ PLASTIC CASE LABEL	O	2	*		
A09-2	819Y20-1	DTD153RTJ PLASTIC CASE LABEL	O	2			
001	183H04-6	HOUSING SET		1			
035	183H04-6	HOUSING SET		1			

Please state Parts No. when your order.

Print Date 16/10/2023