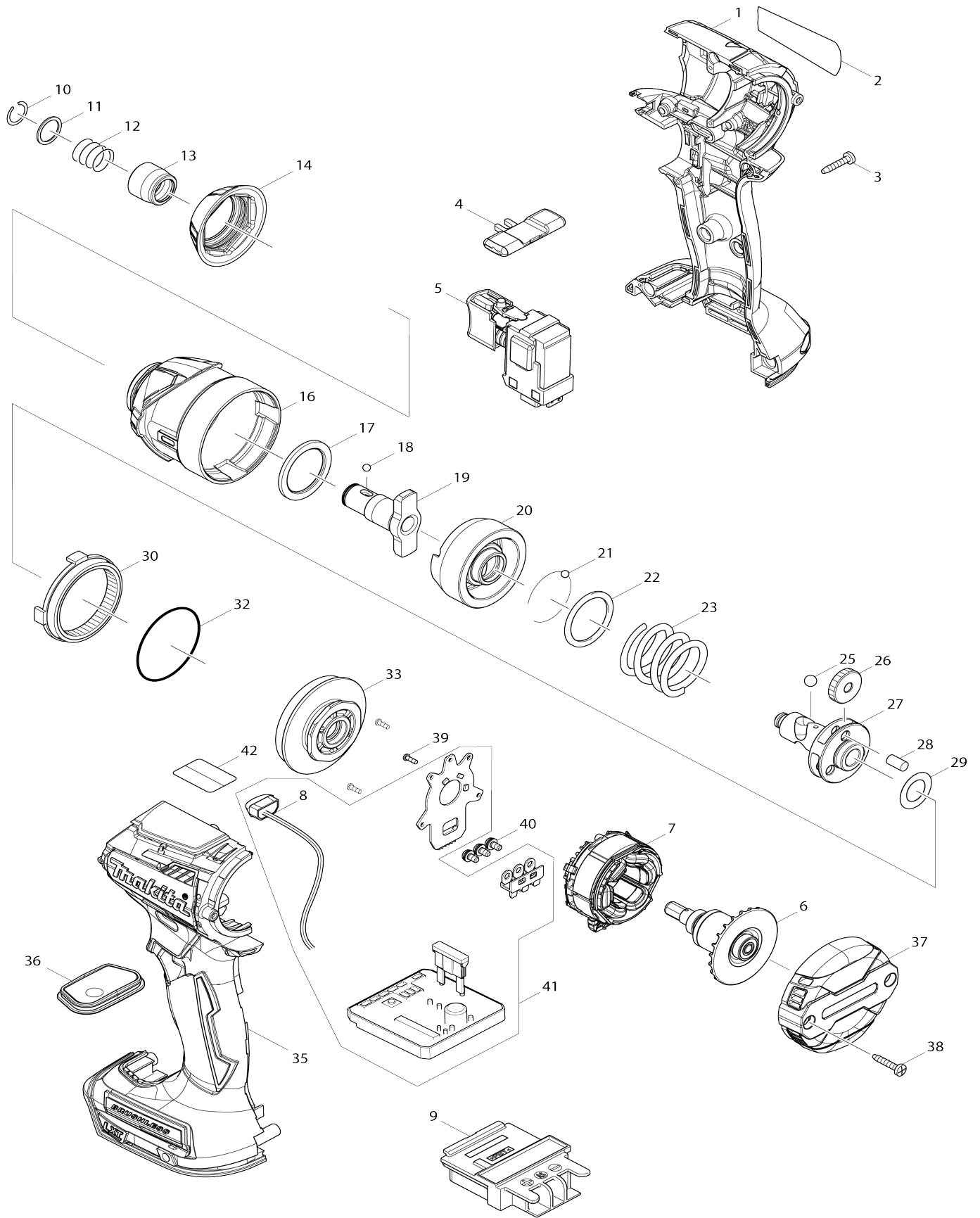


# Model No.DTD154 CORDLESS IMPACT DRIVER



Model No.DTD154 CORDLESS IMPACT DRIVER

Item No.	Parts No.	Description	Interchangability	Q'ty	New/Old	Note1	Note2
001	183E36-5	HOUSING SET		1			
C10	263005-3	RUBBER PIN 6		2			
C20	252126-6	HEX. LOCK NUT M4-7		2			
D10		INC. 35					
002	852L16-1	DTD154 NAME PLATE		1	*		
002-1	857J30-0	DTD154 NAME PLATE	S	1			
003	266429-2	TAPPING SCREW 3X16		8	*		
003-1	266130-9	TAPPING SCREW BIND PT 3X16	O	8			
004	455053-8	F/R CHANGE LEVER		1			
005	143975-1	SWITCH COMPLETE		1			
006	619408-3	ROTOR		1			
007	629217-2	STATOR		1			
008	620557-1	LED CIRCUIT		1			
009	643860-3	TERMINAL		1			
010	231951-8	RING SPRING 11		1			
011	267085-1	FLAT WASHER 12		1			
012	233005-7	COMPRESSION SPRING 13		1			
013	326072-0	BIT SLEEVE		1			
014	424873-1	BUMPER		1			
016	143951-5	HAMMER CASE COMPLETE		1			
017	261155-8	NYLON WASHER 24		1			
018	216001-0	STEEL BALL 3.5		2	*		
018-1	216040-0	STEEL BALL 3.5	O	2			
019	326508-9	ANVIL M		1			
020	326711-2	HAMMER		1	*		
020-1	327155-9	HAMMER	O	1			
021	216001-0	STEEL BALL 3.5		24	*		
021-1	216040-0	STEEL BALL 3.5	O	24			
022	267175-0	FLAT WASHER 24		1			
023	234331-7	COMPRESSION SPRING 24		1			
025	216041-8	STEEL BALL 5.6		2			
026	227338-0	SPUR GEAR 22		3			
027	326783-7	SPINDLE		1			
028	268311-1	PIN 5		3			
029	253314-8	THIN WASHER 15		1			
030	221457-4	INTERNAL GEAR 51		1			
032	213507-9	O RING 40		1			
033	143976-9	BEARING BOX COMPLETE		1			
035	183E36-5	HOUSING SET		1			
C10	263005-3	RUBBER PIN 6		2			
C20	252126-6	HEX. LOCK NUT M4-7		2			
D10		INC. 1					
036	143954-9	SWITCH PLATE COMPLETE		1			
037	457069-9	REAR COVER		1			
038	266429-2	TAPPING SCREW 3X16		2	*		
038-1	266130-9	TAPPING SCREW BIND PT 3X16	O	2			
039	266490-9	TAPPING SCREW PT 2X6		3	*		

039-1	265C47-1	TAPPING SCREW PT 2X6	O	3		
040	652069-6	FLAT HEAD SCREW M3X6		3		
041	620564-4	CONTROLLER		1		
D10		INC. 8				
043	857J31-8	DTD154 SERIAL NO. LABEL	S	1		
A01	266622-8	+ TRUSS HEAD SCREW M4X12		1		
A02	346317-0	HOOK		1		
F02	194281-7	STOPPER SET (W/BITS)		1		
F04	194649-7	BATTERY PROTECTOR		1		
F05	194654-4	HOOK SET		1		
F06-1	197043-2	TOOL HANGER SET	O	1		
A03	450128-8	BATTERY COVER		1		
A04	***DC18RC	DC18RC FAST CHARGER		1		
D10		COMPO-PARTS				
A05	197600-6	BATTERY BL1830B SET		2	*	
A05-1	197600-6	BATTERY BL1830B SET	O	2		
A06	821550-0	CONNECTOR PLASTIC CASE (TYP E2)		1		
C10	453974-8	LATCH		4		
A07	837670-0	INNER TRAY		1		
A08	809W25-7	DTD154RFJ INDICATION LABEL		1		
A09	809W26-5	DTD154RFJ PLASTIC CASE LABEL		2	*	
A09-1	809W29-9	DTD154RFJ PLASTIC CASE LABEL	O	2		
A05	197280-8	BATTERY BL1850B SET		2	*	
A05-1	197280-8	BATTERY BL1850B SET	O	2		
A08	809W30-4	DTD154RTJ INDICATION LABEL		1		
A09	809W31-2	DTD154RTJ PLASTIC CASE LABEL		2	*	
A09-1	809W33-8	DTD154RTJ PLASTIC CASE LABEL	O	2		

Please state Parts No. when your order.

Print Date 16/10/2023