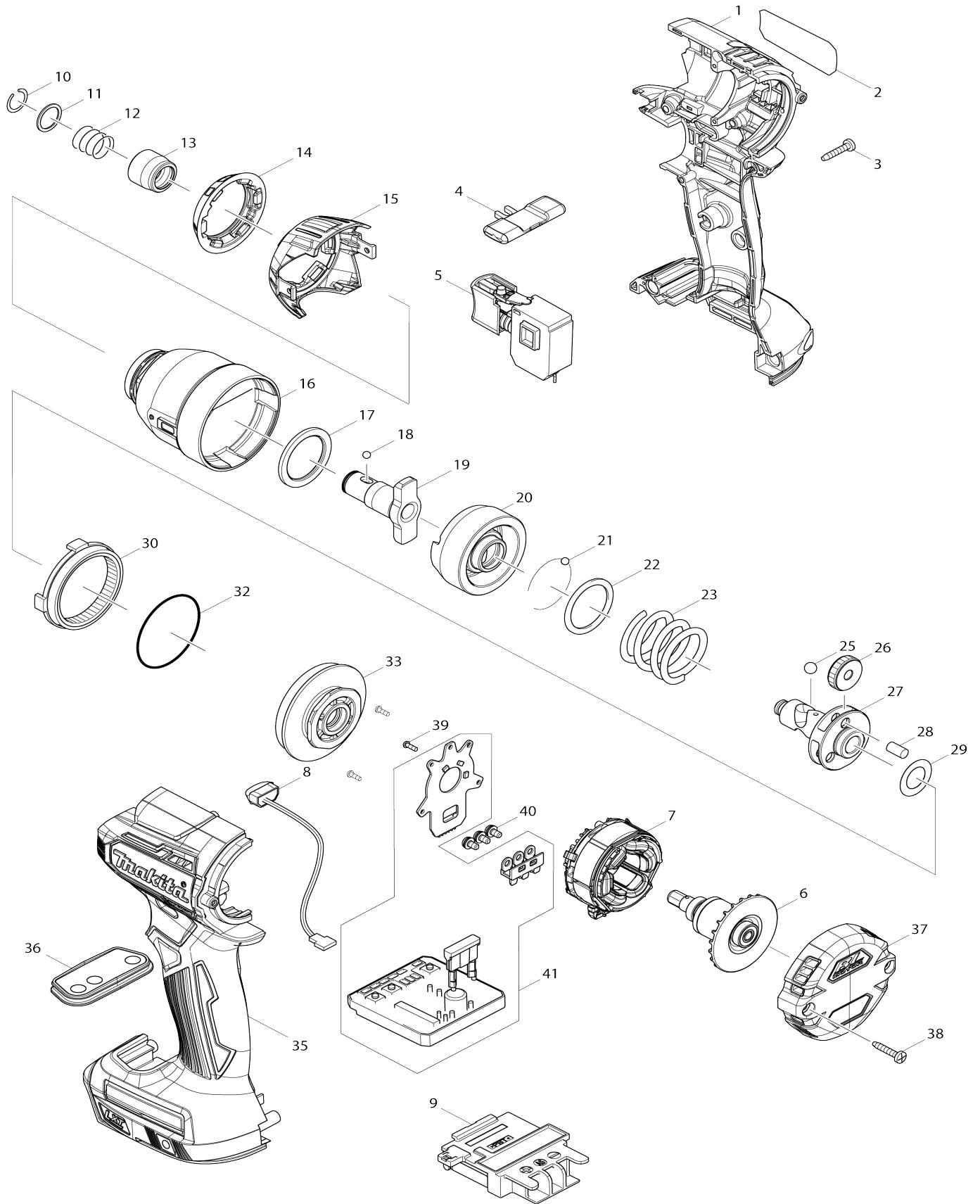


Model No.DTD170 CORDLESS IMPACT DRIVER



Model No.DTD170 CORDLESS IMPACT DRIVER

Item No.	Parts No.	Description	Interchangeability	Q'ty	New/Old	Note1	Note2
001	183E39-9	HOUSING SET		1			
C10	263005-3	RUBBER PIN 6		2			
D10		INC. 35					
002	852N52-9	DTD170 NAME PLATE		1	*		
002-1	857J20-3	DTD170 NAME PLATA	S	1			
003	266130-9	TAPPING SCREW BIND PT 3X16		8			
004	455053-8	F/R CHANGE LEVER		1			
005	650772-3	SWITCH		1			
006	619419-8	ROTOR		1	*		
006-1	619408-3	ROTOR	O	1			
007	629217-2	STATOR		1			
008	620521-2	LED CIRCUIT		1			
009	643860-3	TERMINAL		1			
010	231951-8	RING SPRING 11		1			
011	267085-1	FLAT WASHER 12		1			
012	233005-7	COMPRESSION SPRING 13		1			
013	326072-0	BIT SLEEVE		1			
014	424828-6	BUMPER		1			
015	456710-1	HAMMER CASE COVER		1			
016	143718-1	HAMMER CASE COMPLETE		1	*		
016-1	144787-5	HAMMER CASE COMPLETE	<	1			
017	261155-8	NYLON WASHER 24		1			
018	216001-0	STEEL BALL 3.5		2	*		
018-1	216040-0	STEEL BALL 3.5	O	2			
019	326508-9	ANVIL M		1			
020	326711-2	HAMMER		1	*		
020-1	327155-9	HAMMER	O	1			
021	216001-0	STEEL BALL 3.5		24	*		
021-1	216040-0	STEEL BALL 3.5	O	24			
022	267175-0	FLAT WASHER 24		1			
023	234331-7	COMPRESSION SPRING 24		1			
025	216011-7	STEEL BALL 5.6		2	*		
025-1	216041-8	STEEL BALL 5.6	O	2			
026	227338-0	SPUR GEAR 22		3			
027	326710-4	SPINDLE		1	*		
027-1	326783-7	SPINDLE	O	1			
028	268311-1	PIN 5		3			
029	253314-8	THIN WASHER 15		1			
030	227351-8	INTERNAL GEAR 51		1	*		
030-1	221457-4	INTERNAL GEAR 51	O	1			
032	213507-9	O RING 40		1			
033	143719-9	BEARING BOX COMPLETE		1	*		
033-1	143976-9	BEARING BOX COMPLETE	O	1			
035	183E39-9	HOUSING SET		1			
C10	263005-3	RUBBER PIN 6		2			
D10		INC. 1					
036	143721-2	SWITCH PLATE COMPLETE		1			

037	456711-9	REAR COVER		1		
038	266130-9	TAPPING SCREW BIND PT 3X16		2		
039	266490-9	TAPPING SCREW PT 2X6		3		
040	652069-6	FLAT HEAD SCREW M3X6		3		
041	620520-4	CONTROLLER		1	*	
041-1	620893-5	CONTROLLER	<	1		
042	857J21-1	DTD170 SERIAL NO. LABEL	S	1		
A01	266622-8	+ TRUSS HEAD SCREW M4X12		1		
A02	346317-0	HOOK		1		
F06	194281-7	STOPPER SET (W/BITS)		1		
F07	194649-7	BATTERY PROTECTOR		1		
F08	195779-7	HOOK SET		1		
F09-1	197043-2	TOOL HANGER SET	O	1		
A03	450128-8	BATTERY COVER		1		
A04	***DC18RC	DC18RC FAST CHARGER		1		
A05	197600-6	BATTERY BL1830B SET		2	*	
A05-1	197600-6	BATTERY BL1830B SET	O	2		
A06	821550-0	CONNECTOR PLASTIC CASE (TYP E2)		1		
C10	453974-8	LATCH		4		
A07	837670-0	INNER TRAY		1		
A08	810F80-2	DTD170RFJ INDICATION LABEL		1	*	
A08-1	818K86-4	DTD170RFJ INDICATION LABEL	<	1		
A09	810F81-0	DTD170RFJ PLASTIC CASE LABEL		2	*	
A09-1	818K87-2	DTD170RFJ PLASTIC CASE LABEL	X	2		
A05	197265-4	BATTERY BL1840B SET		2	*	
A05-1	197265-4	BATTERY BL1840B SET	O	2		
A08	810F82-8	DTD170RMJ INDICATION LABEL		1	*	
A08-1	818K88-0	DTD170RMJ INDICATION LABEL	<	1		
A09	810F83-6	DTD170RMJ PLASTIC CASE LABEL		2	*	
A09-1	818K89-8	DTD170RMJ PLASTIC CASE LABEL	X	2		
A05	197280-8	BATTERY BL1850B SET		2	*	
A05-1	197280-8	BATTERY BL1850B SET	O	2		
A08	810F84-4	DTD170RTJ INDICATION LABEL		1	*	
A08-1	818K90-3	DTD170RTJ INDICATION LABEL	<	1		
A09	810F85-2	DTD170RTJ PLASTIC CASE LABEL		2	*	
A09-1	818K91-1	DTD170RTJ PLASTIC CASE LABEL	X	2		

Please state Parts No. when your order.

Print Date 16/10/2023