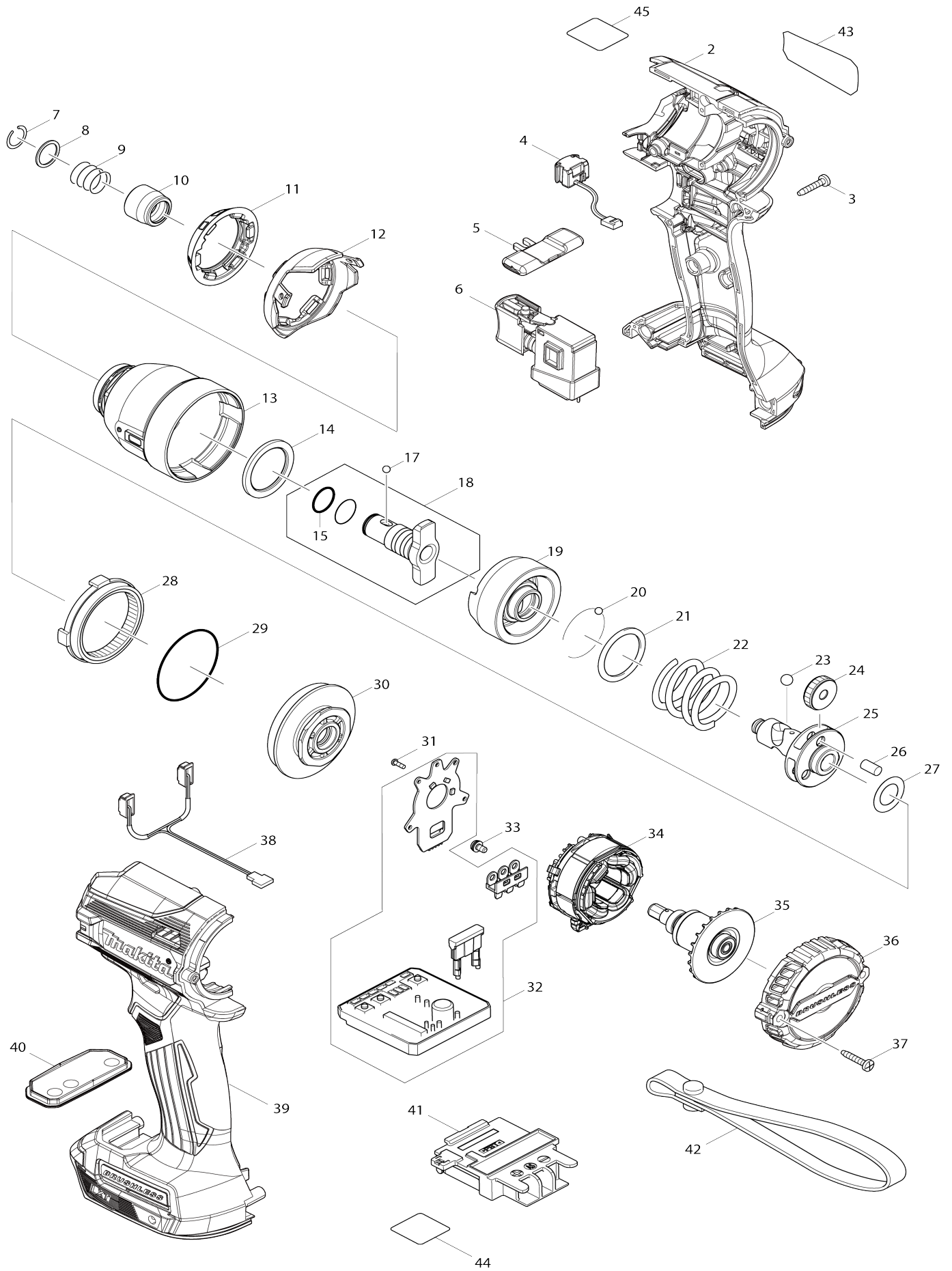


Model No.DTD171 CORDLESS IMPACT DRIVER



Model No.DTD171 CORDLESS IMPACT DRIVER

Item No.	Parts No.	Description	Interc hang eabilit y	Q'ty	New/ Old	Note1	Note2
002	183K87-4	HOUSING SET		1	*		
C10	263005-3	RUBBER PIN 6		2	*		
C20	252126-6	HEX. LOCK NUT M4-7		2	*		
D10		INC. 39					
002-1	183N06-8	HOUSING SET	<	1			
C10	263005-3	RUBBER PIN 6		2			
C20	252126-6	HEX. LOCK NUT M4-7		2			
D10		INC. 39					
003	266130-9	TAPPING SCREW BIND PT 3X16		8			
004	632L84-8	SWITCH UNIT		1			
005	455053-8	F/R CHANGE LEVER		1			
006	140B49-1	SWITCH COMPLETE		1			
C10	424496-5	SEAL		1			
007	231951-8	RING SPRING 11		1			
008	267085-1	FLAT WASHER 12		1			
009	233005-7	COMPRESSION SPRING 13		1			
010	326072-0	BIT SLEEVE		1			
011	422269-0	BUMPER		1			
012	458484-0	HAMMER CASE COVER		1			
013	140A51-8	HAMMER CASE COMPLETE		1			
014	261160-5	NYLON WASHER 30		1			
015	213118-0	O RING 12		2			
017	216001-0	STEEL BALL 3.5		2	*		
017-1	216040-0	STEEL BALL 3.5	O	2			
018	136065-7	ANVIL ASS'Y		1			
D10		INC. 15					
019	327114-3	HAMMER		1	*		
019-1	327750-5	HAMMER	O	1			
020	216001-0	STEEL BALL 3.5		24	*		
020-1	216040-0	STEEL BALL 3.5	O	24			
021	267175-0	FLAT WASHER 24		1			
022	232459-5	COMPRESSION SPRING 24B		1			
023	216011-7	STEEL BALL 5.6		2			
024	227338-0	SPUR GEAR 22		3			
025	327113-5	SPINDLE		1	*		
025-1	327751-3	SPINDLE	O	1			
026	268311-1	PIN 5		3			
027	253314-8	THIN WASHER 15		1	*		
027-1	253445-3	FLAT WASHER 15	O	1			
028	226182-2	INTERNAL GEAR 51		1			
029	213507-9	O RING 40		1			
030	143976-9	BEARING BOX COMPLETE		1			
031	266490-9	TAPPING SCREW PT 2X6		3			
032	620848-0	CONTROLLER		1	*		
032-1	620D48-6	CONTROLLER	O	1			
033	652069-6	FLAT HEAD SCREW M3X6		3			
034	629217-2	STATOR		1			

035	619408-3	ROTOR		1		
036	458478-5	REAR COVER		1		
037	266130-9	TAPPING SCREW BIND PT 3X16		2		
038	620849-8	LED CIRCUIT		1		
039	183K87-4	HOUSING SET		1	*	
C10	263005-3	RUBBER PIN 6		2	*	
C20	252126-6	HEX. LOCK NUT M4-7		2	*	
D10		INC. 2				
039-1	183N06-8	HOUSING SET	<	1		
C10	263005-3	RUBBER PIN 6		2		
C20	252126-6	HEX. LOCK NUT M4-7		2		
D10		INC. 2				
040	140G40-9	SWITCH PLATE COMPLETE		1		
041	643860-3	TERMINAL		1		
043	855E98-0	DTD171 NAME PLATE		1		
044	855F05-9	DTD171 SERIAL NO. LABEL		1		
A01	266622-8	+ TRUSS HEAD SCREW M4X12		1		
A02	346317-0	HOOK		1		
F07	194281-7	STOPPER SET (W/BITS)		1		
F08	194649-7	BATTERY PROTECTOR		1		
F09	195779-7	HOOK SET		1		
F10-1	197043-2	TOOL HANGER SET	O	1		
A04	450128-8	BATTERY COVER		1		
A05	***DC18RC	DC18RC FAST CHARGER		1		
A06	197280-8	BATTERY BL1850B SET		2	*	
A06-1	197280-8	BATTERY BL1850B SET	O	2		
A07	821550-0	CONNECTOR PLASTIC CASE (TYP E2)		1		
C10	453974-8	LATCH		4		
A08	818S90-1	DTD171RTJ PLASTIC CASE LABEL		2		
A09	818S89-6	DTD171RTJ INDICATION LABEL		1		
A10	837670-0	INNER TRAY		1		
002-1	183N09-2	HOUSING SET		1		
030-1	143976-9	BEARING BOX COMPLETE		1		
035-1	619408-3	ROTOR		1		
036	458481-6	REAR COVER		1		
039-1	183N09-2	HOUSING SET		1		

Please state Parts No. when your order.

Print Date 16/10/2023