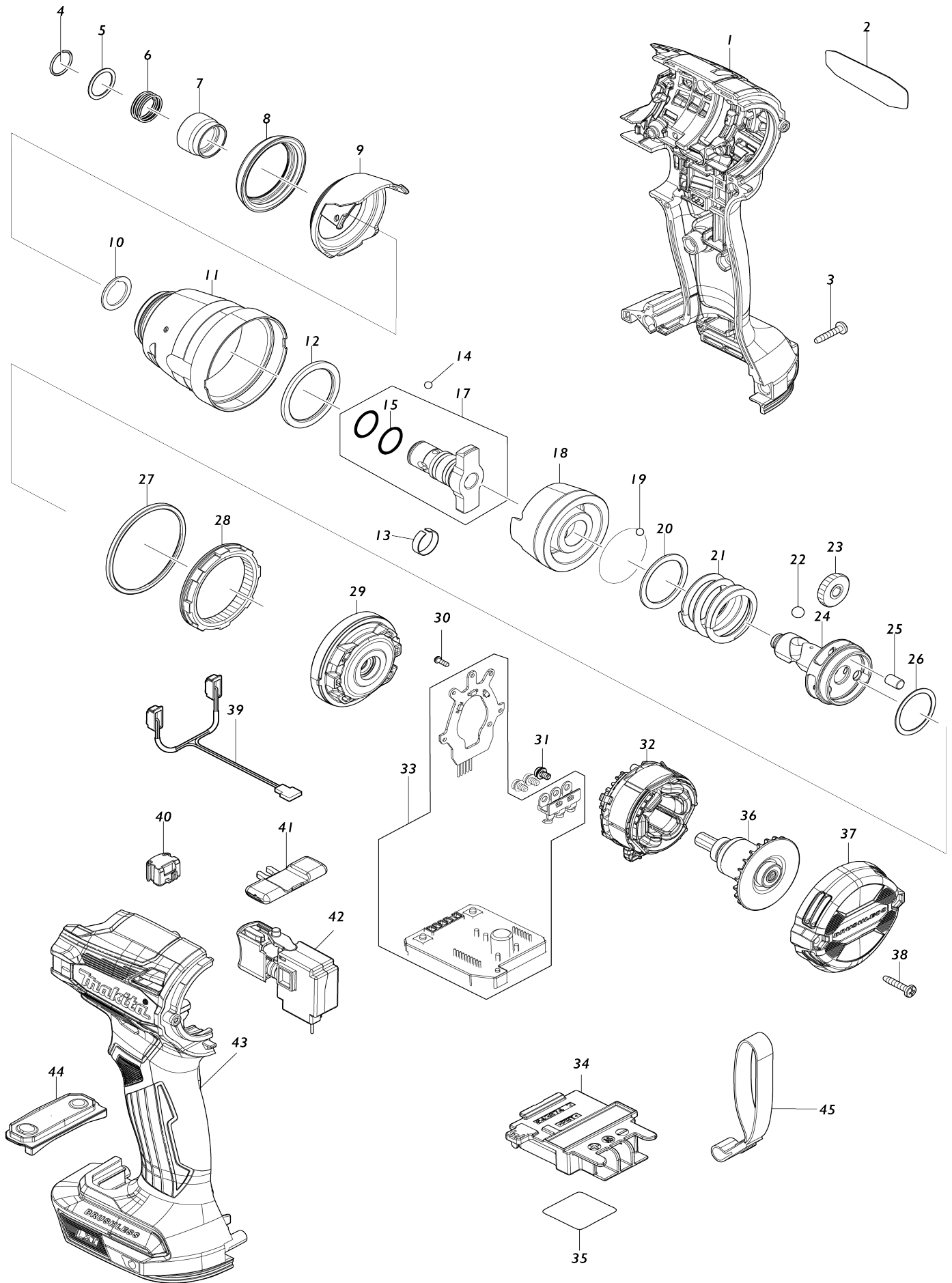


Model No.DTD172 CORDLESS IMPACT DRIVER



Model No.DTD172 CORDLESS IMPACT DRIVER

Item No.	Parts No.	Description	Interchangability	Q'ty	New/Old	Note1	Note2
001	183S40-8	HOUSING SET		1			
C10	263005-3	RUBBER PIN 6		2			
C20	252126-6	HEX. LOCK NUT M4-7		2			
D10		INC. 43					
002	8111E5-4	DTD172 NAME PLATE		1			
003	266429-2	TAPPING SCREW 3X16		7			
004	231952-6	RING SPRING 12		1			
005	267101-9	FLAT WASHER 14		1			
006	232592-3	COMPRESSION SPRING 14		1			
007	327883-6	BIT SLEEVE		1	*		
007-1	327783-0	BIT SLEEVE	S	1			
008	422689-8	BUMPER		1			
009	413493-6	HAMMER CASE COVER		1			
010	253496-6	FLAT WASHER 13		1			
011	141A40-6	HAMMER CASE COMPLETE		1			
012	261168-9	NYLON WASHER 29		1			
013	232692-9	LEAF SPRING		1			
014	216040-0	STEEL BALL 3.5		2			
015	213166-9	O RING 12.5		2			
017	136562-3	ANVIL M ASSY		1	*		
D10		INC. 15					
017-1	136519-4	ANVIL M ASS'Y	S	1			
D10		INC. 15					
018	327785-6	HAMMER		1			
019	216040-0	STEEL BALL 3.5		24			
020	267175-0	FLAT WASHER 24		1			
021	232459-5	COMPRESSION SPRING 24B		1			
022	216011-7	STEEL BALL 5.6		2			
023	227350-0	SPUR GEAR 22		3			
024	327784-8	SPINDLE		1			
025	268311-1	PIN 5		3			
026	267283-7	FLAT WASHER 21		1			
027	422688-0	SEAL		1			
028	227882-7	INTERNAL GEAR 51		1			
029	141A41-4	BEARING BOX COMPLETE		1			
030	266490-9	TAPPING SCREW PT 2X6		3			
031	652069-6	FLAT HEAD SCREW M3X6		3			
032	629217-2	STATOR		1			
033	620E81-4	CONTROLLER		1			
034	643874-2	TERMINAL		1			
035	8111F2-7	DTD172 SERIAL NO. LABEL		1			
036	619678-4	ROTOR		1			
037	413494-4	REAR COVER		1			
038	266429-2	TAPPING SCREW 3X16		2			
039	620F12-9	LED CIRCUIT		1			
040	632L84-8	SWITCH UNIT		1			
041	455053-8	F/R CHANGE LEVER		1			

042	651442-7	SWITCH C3JR-1A-1		1		
043	183S40-8	HOUSING SET		1		
C10	263005-3	RUBBER PIN 6		2		
C20	252126-6	HEX. LOCK NUT M4-7		2		
D10		INC. 1				
044	141F68-4	SWITCH PLATE COMPLETE		1		
A01	266622-8	+ TRUSS HEAD SCREW M4X12		1		
A02	346317-0	HOOK		1		
A04	821550-0	CONNECTOR PLASTIC CASE (TYP E2)		1		
C10	453974-8	LATCH		4		
A05	837670-0	INNER TRAY		1		
A06	8042M5-3	DTD172RTJ PLASTIC CASE LABEL		2		
A07	8042M4-5	DTD172RTJ INDICATION LABEL		1		
A08	450128-8	BATTERY COVER		1		
A09	***DC18RC	DC18RC FAST CHARGER		1		
D10		COMPO-PARTS				
A10	197280-8	BATTERY BL1850B SET		2		

Please state Parts No. when your order.

Print Date 25/10/2023