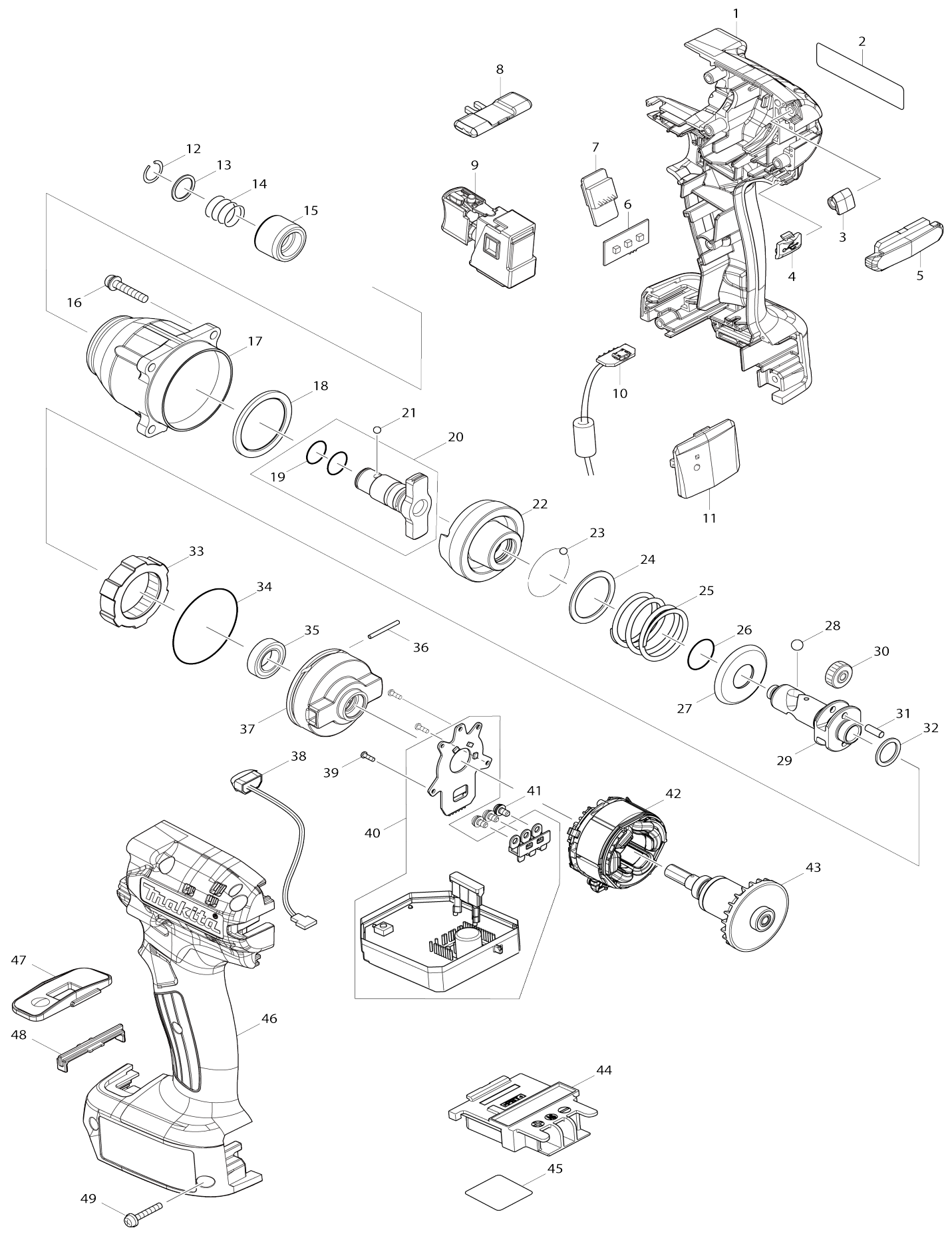


Model No.DTDA140 CORDLESS IMPACT DRIVER



031	256173-9	PIN 3.5		2		
032	267104-3	FLAT WASHER 12		1		
033	226895-5	INTERNAL GEAR 39		1		
034	213561-3	O RING 42		1		
035	211136-2	BALL BEARING 6801LLB		1		
036	256555-5	PIN 2		2		
037	459400-5	INTERNAL GEAR CASE		1		
038	620521-2	LED CIRCUIT		1		
039	266490-9	TAPPING SCREW PT 2X6		3		
040	620A31-5	CONTROLLER		1	*	
040-1	620H58-7	CONTROLLER	<	1		
041	652069-6	FLAT HEAD SCREW M3X6		3		
042	629418-2	STATOR		1		
043	619574-6	ROTOR		1		
044	643850-6	TERMINAL		1		
045	855U63-5	DTDA140 SERIAL NO. LABEL		1		
046	183M42-8	HOUSING SET		1	*	
C10	263005-3	RUBBER PIN 6		2	*	
C20	931002-4	HEX. NUT M3		7	*	
D10		INC. 1				
046-1	183P03-6	HOUSING SET	<	1	*	
C10	263005-3	RUBBER PIN 6		2	*	
C20	931002-4	HEX. NUT M3		7	*	
D10		INC. 1				
046-2	183M42-8	HOUSING SET	<	1		
C10	263005-3	RUBBER PIN 6		2		
C20	931002-4	HEX. NUT M3		7		
D10		INC. 1				
047	140L12-4	SWITCH PLATE BLACK COMPLET E		1		
C10	819J55-2	INDICATION LABEL BLACK		1		
048	459424-1	STOPPER		1		
049	251581-9	PAN HEAD SCREW M3X20		7		
F10	197709-4	BATTERY BL1460B SET		1		
F11	197710-9	BATTERY BL1460B SET		1		

Please state Parts No. when your order.

Print Date 25/10/2023