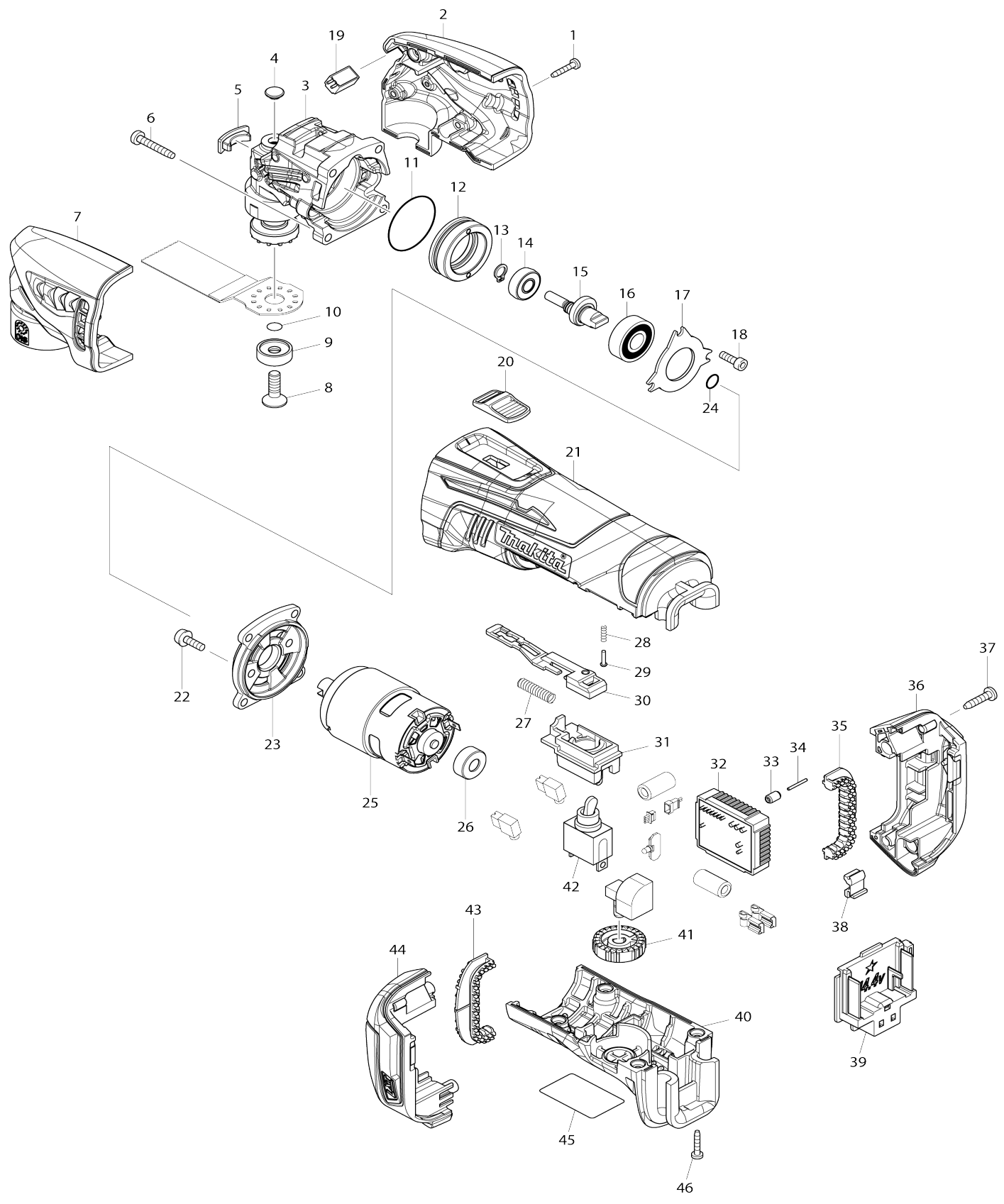


Model No.DTM40 CORDLESS MULTI TOOL



Model No.DTM40 CORDLESS MULTI TOOL

Item No.	Parts No.	Description	Interchangability	Q'ty	New/Old	Note1	Note2
001	266429-2	TAPPING SCREW 3X16		4			
002	187346-2	HEAD COVER SET		1			
D10		INC. 7					
003	142400-9	CRANK HOUSING COMPLETE		1			
004	424511-5	CRANK HOUSING CAP B		1			
005	424510-7	CRANK HOUSING CAP A		1			
006	266374-1	TAPPING SCREW 4X25		4			
007	187346-2	HEAD COVER SET		1			
D10		INC. 2					
008	266783-4	HEX.SOCKET C.S.H.SCREW M6X20		1	*		
008-1	265674-6	HEX. SOKCET HEAD BOLT M6X14	S	1			
009	224455-7	OUTER FLANGE 22		1	*		
010	213021-5	O RING 5		1	*		
011	213479-8	O RING 33		1			
012	326187-3	BEARING BOX		1			
013	961003-8	RETAINING RING S-7		1			
014	211392-4	SPHERE BEARING 706		1			
015	326186-5	CRANK SHAFT		1			
016	210059-1	BALL BEARING 6000DDW		1			
017	285856-4	BEARING RETAINER		1			
018	922117-8	HEX. SOCKET HEAD BOLT M4X12		3			
019	620146-2	LED CIRCUIT		1			
020	453761-5	SWITCH KNOB		1			
021	453755-0	MOTOR HOUSING		1			
022	911516-9	PAN HEAD SCREW M4X12		2			
023	453762-3	HOUSING COVER		1			
024	213030-4	O RING 8		1			
025	629954-8	DC MOTOR		1			
026	424520-4	CAP		1			
027	234263-8	COMPRESSION SPRING 5		1			
028	233002-3	COMPRESSION SPRING 3		1			
029	255058-6	RIVET 2		1			
030	453757-6	SWITCH LEVER		1			
031	453760-7	SWITCH CASE		1			
032	632A00-4	CONTROLLER UNIT		1			
C10	688161-2	LINE FILTER		2			
033	263036-2	RUBBER PIN 5		1			
034	268184-2	PIN 1.5		1			
035	424473-7	CUSHION RUBBER		1			
036	187609-6	BATTERY HOUSING SET		1			
C10	263005-3	RUBBER PIN 6		2			
D10		INC. 44					
037	266326-2	TAPPING SCREW 4X18		2			
038	424476-1	CUSHION		1			
039	643854-8	TERMINAL		1			
040	453756-8	HANDLE COVER		1			
041	271617-8	DIAL 28		1			

042	651423-1	SWITCH		1	*		
042-1	651423-1	SWITCH	O	1			
043	424473-7	CUSHION RUBBER		1			
044	187609-6	BATTERY HOUSING SET		1			
C10	263005-3	RUBBER PIN 6		2			
D10		INC. 36					
045	815M22-3	DTM40 NAME PLATE		1			
046	266429-2	TAPPING SCREW 3X16		4			
A01	783233-9	HEX. WRENCH 5		1			
F02-3	197622-6	BATTERY BL1430B SET(2PIECES)	O	1	*		
F03-3	197615-3	BATTERY BL1430B SET	O	1			
A02	***DC18RC	DC18RC FAST CHARGER		1			
A03	194065-3	BATTERY BL1430 SET		2	*		
A03-1	194065-3	BATTERY BL1430 SET	O	2	*		
A03-2	197616-1	BATTERY BL1430B SET	<	2	*		
A03-3	197616-1	BATTERY BL1430B SET	O	2			
A04	450128-8	BATTERY COVER		1			
A05	141562-0	PLASTIC CASE COMPLETE		1			
C10	162302-3	LATCH		2			
C20	324319-6	SHAFT		1			
C30	451749-9	HANDLE		1			
A06	803M41-1	DTM40RFE PLASTIC CASE LABEL		2			
A02	***DC18SD	DC18SD BATTERY CHARGER		1			
A06	803M55-0	DTM40SFEX1 PLASTIC CASE LABEL		2			
A06	803M56-8	DTM40SFE PLASTIC CASE LABEL		2			
A05	821551-8	CONNECTOR PLASTIC CASE (TYPE3)		1			
C10	453974-8	LATCH		4			
A06	837671-8	INNER TRAY		1			
A07	803M49-5	DTM40RFJ PLASTIC CASE LABEL		2			
A08	803M58-4	DTM40RFJ INDICATION LABEL		1			
A09	454247-2	PIN 4		4	*		
A10	821538-0	TOOL BOX		1			
A07	803M36-4	DTM40ZJ PLASTIC CASE LABEL		2			
A08	803M57-6	DTM40ZJ INDICATION LABEL		1			

Please state Parts No. when your order.

Print Date 12/11/2023