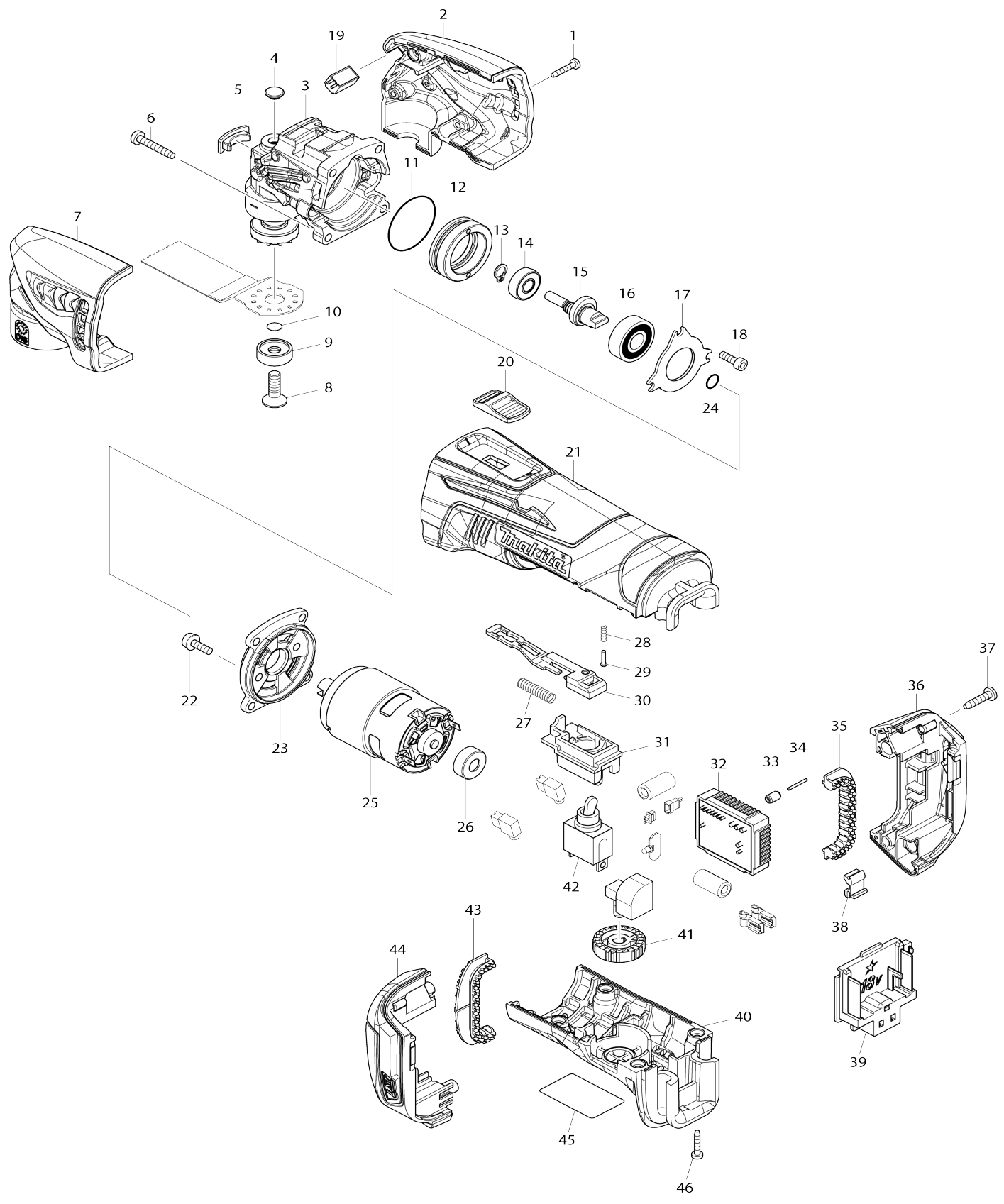


Model No.DTM50 CORDLESS MULTI TOOL



Model No.DTM50 CORDLESS MULTI TOOL

Item No.	Parts No.	Description	Interchangability	Q'ty	New/Old	Note1	Note2
001	266429-2	TAPPING SCREW 3X16		4			
002	187346-2	HEAD COVER SET		1			
D10		INC. 7					
003	142400-9	CRANK HOUSING COMPLETE		1			
004	424511-5	CRANK HOUSING CAP B		1			
005	424510-7	CRANK HOUSING CAP A		1			
006	266374-1	TAPPING SCREW 4X25		4			
007	187346-2	HEAD COVER SET		1			
D10		INC. 2					
008	266783-4	HEX.SOCKET C.S.H.SCREW M6X20		1	*		
008-1	265674-6	HEX. SOKCET HEAD BOLT M6X14	S	1			
009	224455-7	OUTER FLANGE 22		1	*		
010	213021-5	O RING 5		1	*		
011	213479-8	O RING 33		1			
012	326187-3	BEARING BOX		1			
013	961003-8	RETAINING RING S-7		1			
014	211392-4	SPHERE BEARING 706		1			
015	326186-5	CRANK SHAFT		1			
016	210059-1	BALL BEARING 6000DDW		1			
017	285856-4	BEARING RETAINER		1			
018	922117-8	HEX. SOCKET HEAD BOLT M4X12		3			
019	620146-2	LED CIRCUIT		1			
020	453761-5	SWITCH KNOB		1			
021	453755-0	MOTOR HOUSING		1			
022	911516-9	PAN HEAD SCREW M4X12		2			
023	453762-3	HOUSING COVER		1			
024	213030-4	O RING 8		1			
025	629956-4	DC MOTOR		1			
026	424520-4	CAP		1			
027	234263-8	COMPRESSION SPRING 5		1			
028	233002-3	COMPRESSION SPRING 3		1			
029	255058-6	RIVET 2		1			
030	453757-6	SWITCH LEVER		1			
031	453760-7	SWITCH CASE		1			
032	632A01-2	CONTROLLER UNIT		1			
C10	688161-2	LINE FILTER		2			
C20	654086-2	RECEPTACLE		2			
033	263036-2	RUBBER PIN 5		1			
034	268184-2	PIN 1.5		1			
035	424473-7	CUSHION RUBBER		1			
036	187610-1	BATTERY HOUSING SET		1			
C10	263005-3	RUBBER PIN 6		2			
D10		INC. 44					
037	266326-2	TAPPING SCREW 4X18		2			
038	424476-1	CUSHION		1			
039	643852-2	TERMINAL		1			
040	453756-8	HANDLE COVER		1			

041	271617-8	DIAL 28		1			
042	651423-1	SWITCH		1	*		
042-1	651423-1	SWITCH	O	1			
043	424473-7	CUSHION RUBBER		1			
044	187610-1	BATTERY HOUSING SET		1			
C10	263005-3	RUBBER PIN 6		2			
D10		INC. 36					
045	815M77-8	DTM50 NAME PLATE		1			
046	266429-2	TAPPING SCREW 3X16		4			
A01	783233-9	HEX. WRENCH 5		1			
F05-3	197606-4	BATTERY BL1830B SET (2PIECES)	O	1	*		
A02	***DC18RC	DC18RC FAST CHARGER		1			
A03	194204-5	BATTERY BL1830 SET		2	*		
A03-1	194204-5	BATTERY BL1830 SET	O	2	*		
A03-2	197600-6	BATTERY BL1830B SET	<	2	*		
A03-3	197600-6	BATTERY BL1830B SET	O	2			
A04	450128-8	BATTERY COVER		1			
A05	141562-0	PLASTIC CASE COMPLETE		1			
C10	162302-3	LATCH		2			
C20	324319-6	SHAFT		1			
C30	451749-9	HANDLE		1			
A06	803P49-3	DTM50RFE PLASTIC CASE LABEL		2			
A06	803P50-8	DTM50RFEX1 PLASTIC CASE LABEL		2			
A07	195965-0	DUST ATTACHMENT SET		1	*		
A07-1	199621-4	DUST ATTACHMENT SET	<	1			
C10	422362-0	FELT RING 47		1			
C20	459362-7	SPACER		1			
A08	196272-4	ADAPTER A SET		1	*		
A08-1	196271-6	ADAPTER A SET	<	1	*		
A09	B-21325	SEGMENT SAW BLADE 85 TMA006		1	*		
A09-1	B-64799	STARLOCK SEGMENTSAW 85 TMA045	O	1			
A10	B-21353	PLUNGE CUT SAW BLADE 28 TMA009		1	*		
A10-1	B-64814	STARLOCK CUTSAW 32 TMA047 BIM	O	1			
A11	B-21537	SANDING PAD		1	*		
A11-1	B-46202	SANDING PAD	<	1	*		
A11-2	B-65115	STARLOCK SANDING PAD 93 TMA078	O	1	*		
A11-3	B-46202	SANDING PAD	O	1	*		
A11-4	B-65115	STARLOCK SANDING PAD 93 TMA078	O	1			
A12	821538-0	TOOL BOX		1			
A06	803P52-4	DTM50RFEX3 PLASTIC CASE LABEL		2			
A10	B-21331	SEGMENT SAW BLADE 85 TMA007		1	*		
A10-1	B-64836	STARLOCK SEGMENTSAW 85 TMA049	O	1			
A11	B-21353	PLUNGE CUT SAW BLADE 28 TMA009		1	*		
A11-1	B-64814	STARLOCK CUTSAW 32 TMA047	O	1			

		BIM					
A12	B-21369	PLUNGE CUT SAW BLADE 32 TM A010		1	*		
A12-1	B-64870	STARLOCK CUTSAW 32 TMA053 BIM	O	1			
A13	B-21381	PLUNGE CUT SAW BLADE 32 TM A012		1	*		
A13-1	B-64858	STARLOCK CUTSAW 32 TMA051 HCS	O	1			
A14	B-21428	PLUNGE CUT SAW BLADE 20 TM A016		1	*		
A14-1	B-64923	STARLOCK CUTSAW 20 TMA058 BIM	O	1	*		
A14-2	B-64923	STARLOCK CUTSAW 20 TMA058 BIM	O	1			
A15	B-21434	PLUNGE CUT SAW BLADE 10 TM A017		1	*		
A15-1	B-64917	STARLOCK CUTSAW 10 TMA057 BIM	O	1	*		
A15-2	B-64917	STARLOCK CUTSAW 10 TMA057 BIM	O	1			
A16	B-21456	SCRAPER 52 FLEXIBLE TMA019		1	*		
A16-1	B-64995	STARLOCK SCRAPERFLEXIBLE TM A66	O	1			
A17	B-21490	HM SEG SAW BLADE 85 TMA023		1	*		
A17-1	B-65028	STARLOCK SEGMENTSAW 85 TM A069	O	1			
A18	B-21509	HM SEG SAW BLADE 65 TMA024		1	*		
A18-1	B-65040	STARLOCK SEGMENTSAW 70 TM A071	O	1			
A19	B-21624	ABRASIVEPAPER DELTA RED 60		1	*		
A19-1	D-58584	ABRASIVE DELTA PAPER 60	O	1			
A20	B-22947	ABRASIVEPAPER DELTA RED 100		1	*		
A20-1	D-58609	ABRASIVE DELTA PAPER 100	O	1			
A21	B-22953	ABRASIVEPAPER DELTA RED 150		1	*		
A21-1	D-58621	ABRASIVE DELTA PAPER 150	O	1			
A22	B-21537	SANDING PAD		1	*		
A22-1	B-46202	SANDING PAD	<	1	*		
A22-2	B-65115	STARLOCK SANDING PAD 93 TM A078	O	1	*		
A22-3	B-46202	SANDING PAD	O	1	*		
A22-4	B-65115	STARLOCK SANDING PAD 93 TM A078	O	1			
A23	821538-0	TOOL BOX		1			
A05	821551-8	CONNECTOR PLASTIC CASE (TYP E3)		1			
C10	453974-8	LATCH		4			
A06	837671-8	INNER TRAY		1			
A07	803P59-0	DTM50RFJ PLASTIC CASE LABEL		2			
A08	803P76-0	DTM50RFJ INDICATION LABEL		1			
A09	454247-2	PIN 4		4	*		
A10	821538-0	TOOL BOX		1			
A07	803P60-5	DTM50RFJX1 PLASTIC CASE LABEL		2			
A08	803P77-8	DTM50RFJX1 INDICATION LABEL		1			
A10	195965-0	DUST ATTACHMENT SET		1	*		
A10-1	199621-4	DUST ATTACHMENT SET	<	1			

C10	422362-0	FELT RING 47		1		
C20	459362-7	SPACER		1		
A11	196272-4	ADAPTER A SET		1	*	
A11-1	196271-6	ADAPTER A SET	<	1	*	
A12	B-21325	SEGMENT SAW BLADE 85 TMA006		1	*	
A12-1	B-64799	STARLOCK SEGMENTSAW 85 TMA045	O	1		
A13	B-21353	PLUNGE CUT SAW BLADE 28 TMA009		1	*	
A13-1	B-64814	STARLOCK CUTSAW 32 TMA047 BIM	O	1		
A14	B-21537	SANDING PAD		1	*	
A14-1	B-46202	SANDING PAD	<	1	*	
A14-2	B-65115	STARLOCK SANDING PAD 93 TMA078	O	1	*	
A14-3	B-46202	SANDING PAD	O	1	*	
A14-4	B-65115	STARLOCK SANDING PAD 93 TMA078	O	1		
A15	821538-0	TOOL BOX		1		
A07	803P62-1	DTM50RFJX3 PLASTIC CASE LABEL		2		
A08	803P79-4	DTM50RFJX3 INDICATION LABEL		1		
A13	B-21331	SEGMENT SAW BLADE 85 TMA007		1	*	
A13-1	B-64836	STARLOCK SEGMENTSAW 85 TMA049	O	1		
A14	B-21353	PLUNGE CUT SAW BLADE 28 TMA009		1	*	
A14-1	B-64814	STARLOCK CUTSAW 32 TMA047 BIM	O	1		
A15	B-21369	PLUNGE CUT SAW BLADE 32 TMA010		1	*	
A15-1	B-64870	STARLOCK CUTSAW 32 TMA053 BIM	O	1		
A16	B-21381	PLUNGE CUT SAW BLADE 32 TMA012		1	*	
A16-1	B-64858	STARLOCK CUTSAW 32 TMA051 HCS	O	1		
A17	B-21428	PLUNGE CUT SAW BLADE 20 TMA016		1	*	
A17-1	B-64923	STARLOCK CUTSAW 20 TMA058 BIM	O	1	*	
A17-2	B-64923	STARLOCK CUTSAW 20 TMA058 BIM	O	1		
A18	B-21434	PLUNGE CUT SAW BLADE 10 TMA017		1	*	
A18-1	B-64917	STARLOCK CUTSAW 10 TMA057 BIM	O	1	*	
A18-2	B-64917	STARLOCK CUTSAW 10 TMA057 BIM	O	1		
A19	B-21456	SCRAPER 52 FLEXIBLE TMA019		1	*	
A19-1	B-64995	STARLOCK SCRAPERFLEXIBLE TMA066	O	1		
A20	B-21490	HM SEG SAW BLADE 85 TMA023		1	*	
A20-1	B-65028	STARLOCK SEGMENTSAW 85 TMA069	O	1		
A21	B-21509	HM SEG SAW BLADE 65 TMA024		1	*	
A21-1	B-65040	STARLOCK SEGMENTSAW 70 TMA	O	1		

		A071					
A22	B-21624	ABRASIVEPAPER DELTA RED 60		1	*		
A22-1	D-58584	ABRASIVE DELTA PAPER 60	O	1			
A23	B-22947	ABRASIVEPAPER DELTA RED 100		1	*		
A23-1	D-58609	ABRASIVE DELTA PAPER 100	O	1			
A24	B-22953	ABRASIVEPAPER DELTA RED 150		1	*		
A24-1	D-58621	ABRASIVE DELTA PAPER 150	O	1			
A25	B-21537	SANDING PAD		1	*		
A25-1	B-46202	SANDING PAD	<	1	*		
A25-2	B-65115	STARLOCK SANDING PAD 93 TM A078	O	1	*		
A25-3	B-46202	SANDING PAD	O	1	*		
A25-4	B-65115	STARLOCK SANDING PAD 93 TM A078	O	1			
A26	821538-0	TOOL BOX		1			
A07	803P58-2	DTM50ZJ PLASTIC CASE LABEL		2			
A08	803P75-2	DTM50ZJ INDICATION LABEL		1			
A07	803P67-1	DTM50ZJX3 PLASTIC CASE LABEL		2			
A08	803P84-1	DTM50ZJX3 INDICATION LABEL		1			

Please state Parts No. when your order.

Print Date 02/16/2024