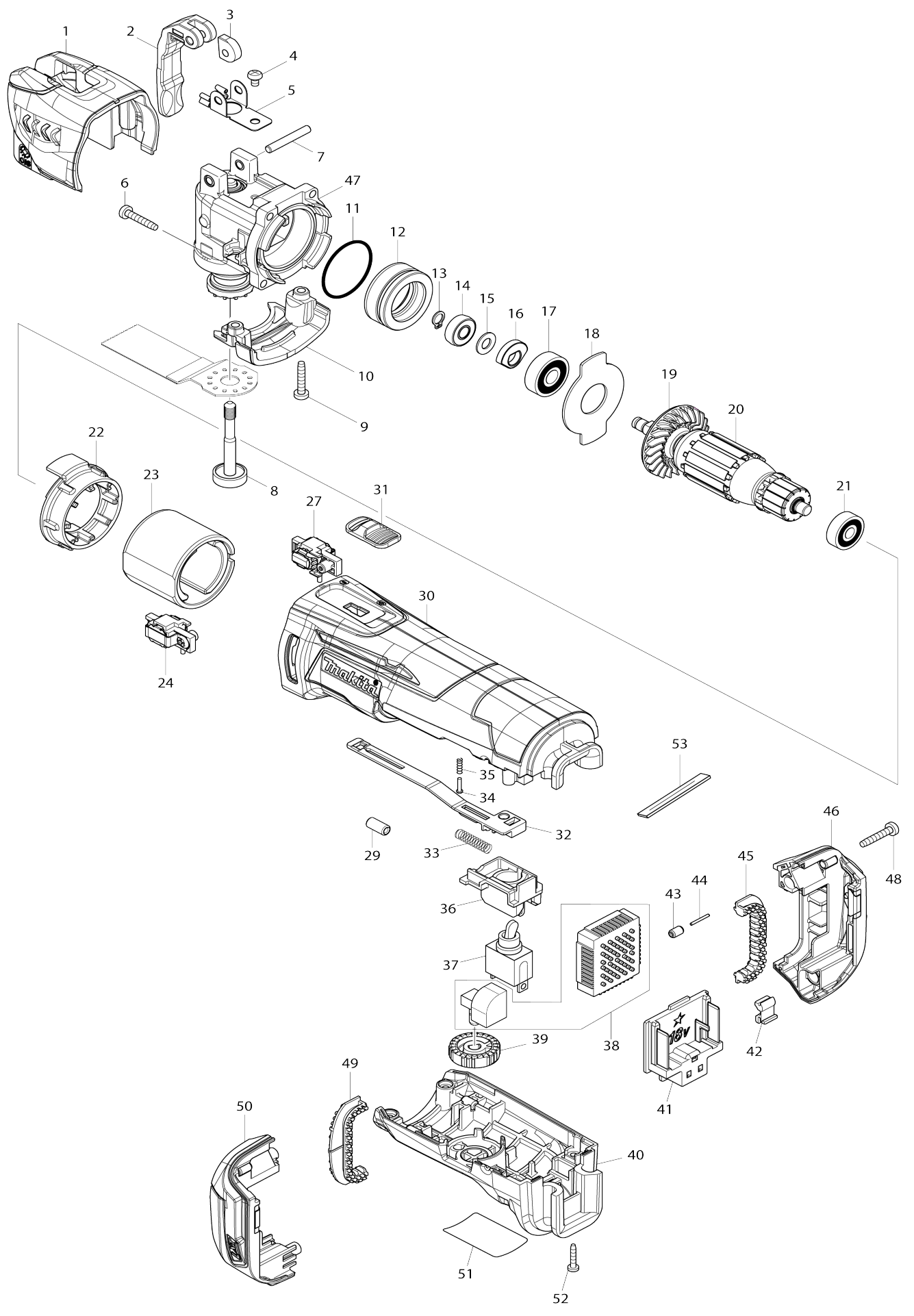


# Model No.DTM51 CORDLESS MULTI TOOL



Model No.DTM51 CORDLESS MULTI TOOL

Item No.	Parts No.	Description	Interchangability	Q'ty	New/Old	Note1	Note2
001	455272-6	UPPER HEAD COVER		1			
002	319059-9	LEVER		1			
003	313268-2	TURN BLOCK		1			
004	911102-6	PAN HEAD SCREW M4X6		1			
005	232282-8	LEAF SPRING		1			
006	266424-2	TAPPING SCREW 4X20		4	*		
006-1	265D38-8	TAPPING SCREW 4X20	O	4			
007	268306-4	PIN 5		1			
008	326409-1	HOLDER BOLT		1	*		
008-1	327177-9	HOLDER BOLT	<	1			
009	266424-2	TAPPING SCREW 4X20		2	*		
009-1	265D38-8	TAPPING SCREW 4X20	O	2			
010	454635-3	LOWER HEAD COVER		1			
011	213343-3	O RING 35		1	*		
011-1	213A08-3	O RING 35	O	1			
012	326347-7	BEARING BOX		1			
013	961003-8	RETAINING RING S-7		1			
014	211392-4	SPHERE BEARING 706		1	*		
014-1	210164-4	SPHERE BEARING 706	O	1			
015	253133-2	FLAT WASHER 7		1			
016	313245-4	BALANCER		1			
017	211092-6	BALL BEARING 629DDW		1			
018	285857-2	BEARING RETAINNER		1			
019	240140-4	FAN 46		1			
020	519338-7	ARMATURE ASS'Y 18V		1			
D10		INC. 19,21					
021	210023-2	BALL BEARING 627DDW		1			
022	455017-2	BUFFLE PLATE		1			
023	632B69-4	YOKE UNIT		1			
024	632B88-0	BRUSH HOLDER COMPLETE		1			
027	632B89-8	BRUSH HOLDER COMPLETE		1			
029	688161-2	LINE FILTER		1			
030	455013-0	MOTOR HOUSING		1			
031	455016-4	SWITCH KNOB		1			
032	455015-6	SWITCH LEVER		1			
033	234263-8	COMPRESSION SPRING 5		1			
034	255058-6	RIVET 2		1			
035	233002-3	COMPRESSION SPRING 3		1			
036	455018-0	SWITCH CASE		1			
037	651423-1	SWITCH		1	*		
037-1	651423-1	SWITCH	O	1			
038	620270-1	CONTROLLER		1	*		
038-1	620H89-6	CONTROLLER	O	1	*		
038-2	620270-1	CONTROLLER	O	1			
039	271617-8	DIAL 28		1			
040	142553-4	HANDLE COVER COMPLETE		1			
C10	263005-3	RUBBER PIN 6		3			

041	643852-2	TERMINAL		1		
042	424476-1	CUSHION		1		
043	263036-2	RUBBER PIN 5		1		
044	268184-2	PIN 1.5		1		
045	424473-7	CUSHION RUBBER		1		
046	187848-8	BATTERY HOUSING SET		1		
C10	263005-3	RUBBER PIN 6		2		
D10		INC. 50				
047	142502-1	CRANK HOUSING COMPLETE		1	*	
047-1	143250-5	CRANK HOUSING COMPLETE	<	1		
048	266424-2	TAPPING SCREW 4X20		2	*	
048-1	265D38-8	TAPPING SCREW 4X20	O	2		
049	424473-7	CUSHION RUBBER		1		
050	187848-8	BATTERY HOUSING SET		1		
C10	263005-3	RUBBER PIN 6		2		
D10		INC. 46				
051	815M50-8	DTM51 NAME PLATE		1		
052	266429-2	TAPPING SCREW 3X16		4	*	
052-1	266130-9	TAPPING SCREW BIND PT 3X16	O	4		
053	423404-3	SPONGE SHEET		1		
F06-3	197606-4	BATTERY BL1830B SET (2PIECES)	O	1	*	
F09-3	197600-6	BATTERY BL1830B SET	O	1		
F10-4	197599-5	BATTERY BL1830B SET	O	1		
F11-3	197267-0	BATTERY BL1840B SET	O	1		
F12-3	197265-4	BATTERY BL1840B SET	O	1		
F13-3	197273-5	BATTERY BL1840B SET(2PIECES)	O	1		
A01	821551-8	CONNECTOR PLASTIC CASE (TYP E3)		1		
C10	453974-8	LATCH		4		
A02	837671-8	INNER TRAY		1		
A03	803N49-1	DTM51ZJX1 PLASTIC CASE LABEL		2		
A04	803N48-3	DTM51ZJX1 INDICATION LABEL		1		
A05	454247-2	PIN 4		4	*	
A06	196765-1	DUST ATTACHMENT SET		1	*	
A06-1	199627-2	DUST ATTACHMENT SET	<	1		
C10	422362-0	FELT RING 47		1		
C20	459362-7	SPACER		1		
A07	196272-4	ADAPTER A SET		1	*	
A07-1	196271-6	ADAPTER A SET	<	1	*	
A08	B-21325	SEGMENT SAW BLADE 85 TMA006		1	*	
A08-1	B-64799	STARLOCK SEGMENTSAW 85 TM A045	O	1		
A09	B-21353	PLUNGE CUT SAW BLADE 28 TM A009		1	*	
A09-1	B-64814	STARLOCK CUTSAW 32 TMA047 BIM	O	1		
A10	B-21537	SANDING PAD		1	*	
A10-1	B-46202	SANDING PAD	<	1	*	
A10-2	B-65115	STARLOCK SANDING PAD 93 TM A078	O	1	*	
A10-3	B-46202	SANDING PAD	O	1	*	
A10-4	B-65115	STARLOCK SANDING PAD 93 TM A078	O	1		

A11	142257-8	TOOL BOX COMPLETE		1	*		
C10	454652-3	LATCH		1	*		
A11-1	143308-0	TOOL BOX COMPLETE WITH LABEL	O	1			
C10	454652-3	LATCH		1			
A01	***DC18RC	DC18RC FAST CHARGER		1			
A02	196399-0	BATTERY BL1840 SET		2	*		
A02-1	196399-0	BATTERY BL1840 SET	O	2	*		
A02-2	197265-4	BATTERY BL1840B SET	<	2	*		
A02-3	197265-4	BATTERY BL1840B SET	O	2			
A03	450128-8	BATTERY COVER		1			
A04	821551-8	CONNECTOR PLASTIC CASE (TYPE3)		1			
C10	453974-8	LATCH		4			
A05	837671-8	INNER TRAY		1			
A06	803N69-5	DTM51RMJX1 PLASTIC CASE LABEL		2			
A07	803N68-7	DTM51RMJX1 INDICATION LABEL		1			
A08	454247-2	PIN 4		4	*		
A09	196765-1	DUST ATTACHMENT SET		1	*		
A09-1	199627-2	DUST ATTACHMENT SET	<	1			
C10	422362-0	FELT RING 47		1			
C20	459362-7	SPACER		1			
A10	196272-4	ADAPTER A SET		1	*		
A10-1	196271-6	ADAPTER A SET	<	1	*		
A11	B-21325	SEGMENT SAW BLADE 85 TMA006		1	*		
A11-1	B-64799	STARLOCK SEGMENTSAW 85 TMA045	O	1			
A12	B-21353	PLUNGE CUT SAW BLADE 28 TMA009		1	*		
A12-1	B-64814	STARLOCK CUTSAW 32 TMA047 BIM	O	1			
A13	B-21537	SANDING PAD		1	*		
A13-1	B-46202	SANDING PAD	<	1	*		
A13-2	B-65115	STARLOCK SANDING PAD 93 TMA078	O	1	*		
A13-3	B-46202	SANDING PAD	O	1	*		
A13-4	B-65115	STARLOCK SANDING PAD 93 TMA078	O	1			
A14	142257-8	TOOL BOX COMPLETE		1	*		
C10	454652-3	LATCH		1	*		
A14-1	143308-0	TOOL BOX COMPLETE WITH LABEL	O	1			
C10	454652-3	LATCH		1			
A06	803N73-4	DTM51RMJX3 PLASTIC CASE LABEL		2			
A07	803N72-6	DTM51RMJX3 INDICATION LABEL		1			
A12	B-21331	SEGMENT SAW BLADE 85 TMA007		1	*		
A12-1	B-64836	STARLOCK SEGMENTSAW 85 TMA049	O	1	*		
A12-2	B-64842	STARLOCK CUTSAW 24 TMA050 HCS	O	1			

A13	B-21353	PLUNGE CUT SAW BLADE 28 TM A009		1	*		
A13-1	B-64814	STARLOCK CUTSAW 32 TMA047 BIM	O	1			
A14	B-21369	PLUNGE CUT SAW BLADE 32 TM A010		1	*		
A14-1	B-64870	STARLOCK CUTSAW 32 TMA053 BIM	O	1			
A15	B-21381	PLUNGE CUT SAW BLADE 32 TM A012		1	*		
A15-1	B-64858	STARLOCK CUTSAW 32 TMA051 HCS	O	1			
A16	B-21428	PLUNGE CUT SAW BLADE 20 TM A016		1	*		
A16-1	B-64923	STARLOCK CUTSAW 20 TMA058 BIM	O	1	*		
A16-2	B-64923	STARLOCK CUTSAW 20 TMA058 BIM	O	1			
A17	B-21434	PLUNGE CUT SAW BLADE 10 TM A017		1	*		
A17-1	B-64917	STARLOCK CUTSAW 10 TMA057 BIM	O	1	*		
A17-2	B-64917	STARLOCK CUTSAW 10 TMA057 BIM	O	1			
A18	B-21456	SCRAPER 52 FLEXIBLE TMA019		1	*		
A18-1	B-64995	STARLOCK SCRAPERFLEXIBLE TM A66	O	1			
A19	B-21490	HM SEG SAW BLADE 85 TMA023		1	*		
A19-1	B-65028	STARLOCK SEGMENTSAW 85 TM A069	O	1			
A20	B-21509	HM SEG SAW BLADE 65 TMA024		1	*		
A20-1	B-65040	STARLOCK SEGMENTSAW 70 TM A071	O	1			
A21	B-21624	ABRASIVEPAPER DELTA RED 60		1			
A22	B-22947	ABRASIVEPAPER DELTA RED 100		1			
A23	B-22953	ABRASIVEPAPER DELTA RED 150		1			
A24	B-21537	SANDING PAD		1	*		
A24-1	B-46202	SANDING PAD	<	1	*		
A24-2	B-65115	STARLOCK SANDING PAD 93 TM A078	O	1	*		
A24-3	B-46202	SANDING PAD	O	1	*		
A24-4	B-65115	STARLOCK SANDING PAD 93 TM A078	O	1			
A25	142257-8	TOOL BOX COMPLETE		1	*		
C10	454652-3	LATCH		1	*		
A25-1	143308-0	TOOL BOX COMPLETE WITH LABEL	O	1			
C10	454652-3	LATCH		1			
A26	821591-6	TOOL BOX		1			
C10	454652-3	LATCH		1			
A01-1	***DC18RC	DC18RC FAST CHARGER		1			
A02-4	197600-6	BATTERY BL1830B SET		2			
A04	821608-5	PLASTIC CARRYING CASE		1			
C10	162302-3	LATCH		2			
A07	803N26-3	DTM51RFE MODEL NO. LABEL		1			
A06	8007J2-6	DTM51RFJX1 PLASTIC CASE LABEL		2			

A07	812M57-5	DTM51RFJX1 INDICATION LABEL		1			
A09	199627-2	DUST ATTACHMENT SET		1			
C10	422362-0	FELT RING 47		1			
C20	459362-7	SPACER		1			
A11	B-64799	STARLOCK SEGMENTSAW 85 TM A045		1			
A12	B-64814	STARLOCK CUTSAW 32 TMA047 BIM		1			
A13	B-46202	SANDING PAD		1			
A14	143308-0	TOOL BOX COMPLETE WITH LAB EL		1			

Please state Parts No. when your order.

Print Date 02/16/2024