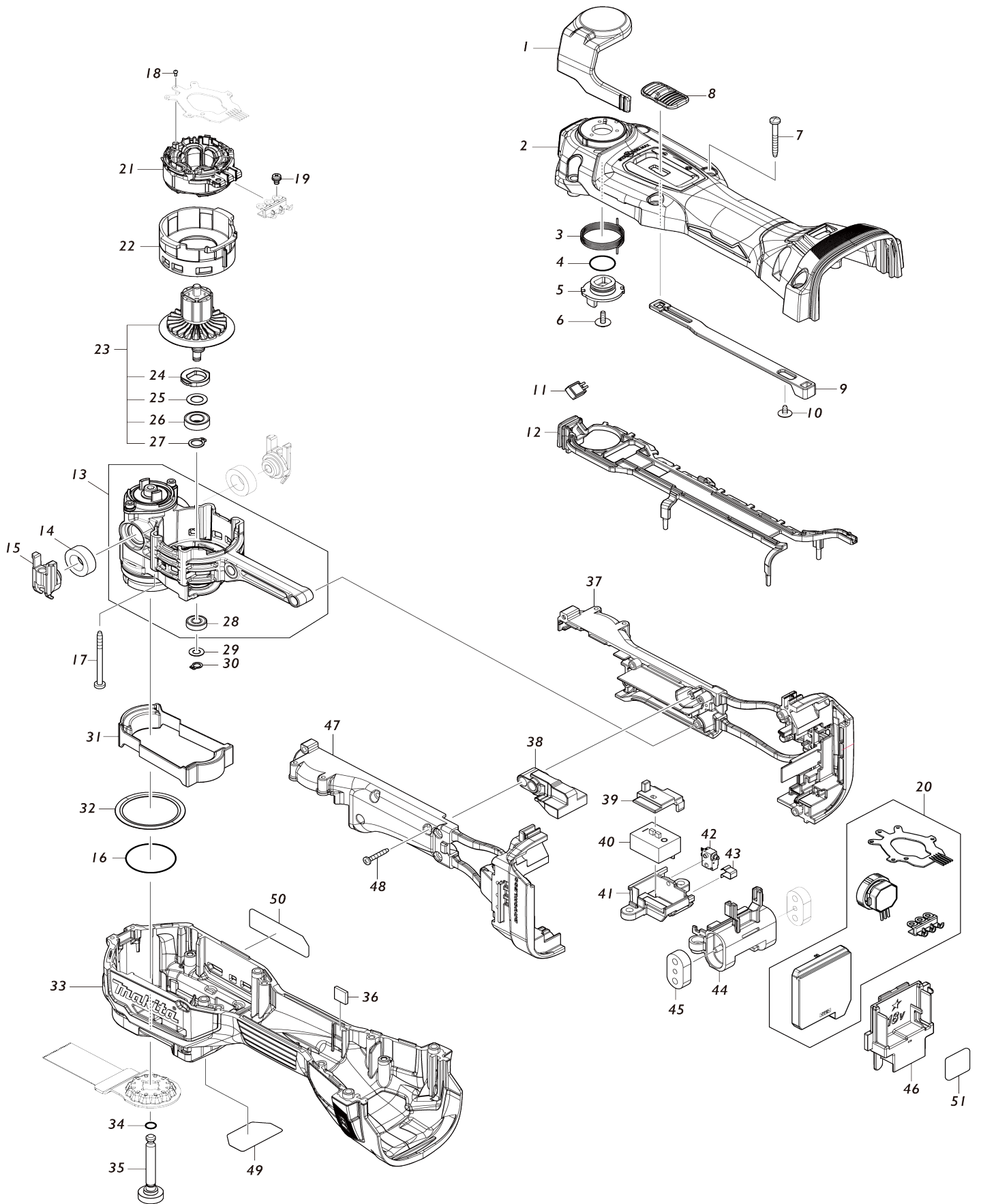


# Model No.DTM52 CORDLESS MULTI TOOL



Model No.DTM52 CORDLESS MULTI TOOL

Item No.	Parts No.	Description	Interchangability	Q'ty	New/Old	Note1	Note2
001	140Y95-2	LEVER COMPLETE		1			
C10	263032-0	RUBBER PIN 4		1			
002	183S78-3	HOUSING SET		1			
D10		INC. 33,36					
003	232680-6	TORSION SPRING 25		1			
004	213070-2	O RING 10		1			
005	313364-6	DRIVER B		1	*		
005-1	313517-7	DRIVER B	S	1			
006	265B82-3	P.H.SCREW M3X10 WITH WR		1			
007	266351-3	TAPPING SCREW 4X35		8	*		
007-1	265B69-5	TAPPING SCREW 4X35	O	8			
008	413395-6	SWITCH KNOB		1	*		
008-1	413G34-0	SWITCH KNOB	<	1			
009	413396-4	SWITCH LEVER A		1			
010	265B81-5	TAPPING SCREW FLANGE 3X6		1			
011	620E79-1	LED CIRCUIT		1			
012	413400-9	LED GUIDE		1			
013	136394-8	CRANK HOUSING ASSY		1	*		
D10		INC. 28					
013-1	136529-1	CRANK HOUSING ASS'Y	<	1	*		
C10	224616-9	FLANGE 10		1	*		
C20	216055-7	THRUST NEEDLE CAGE 1024		1	*		
C30	216054-9	WASHER 1024		2	*		
C40	210150-5	BALL BEARING 6803DDW		1	*		
C50	313416-3	DRIVER A		1	*		
C60	265B79-2	H.S.H.BOLT M5X14 WITH GM		1	*		
D10		INC. 28					
013-2	137120-8	CRANK HOUSING ASS'Y	S	1			
C10	224616-9	FLANGE 10		1			
C20	216055-7	THRUST NEEDLE CAGE 1024		1			
C30	216054-9	WASHER 1024		2			
C40	210150-5	BALL BEARING 6803DDW		1			
C51	313516-9	DRIVER A	S	1			
C60	265B79-2	H.S.H.BOLT M5X14 WITH GM		1			
D10		INC. 28					
014	422677-5	CUSHION F		2	*		
014-1	422677-5	CUSHION F	O	2			
015	413401-7	CUSSION SUPPORT F		2			
016	213497-6	O-RING 31.5		1			
017	266327-0	TAPPING SCREW 3X40		4	*		
017-1	266327-0	TAPPING SCREW 3X40	O	4			
018	266490-9	TAPPING SCREW PT 2X6		3	*		
018-1	265C47-1	TAPPING SCREW PT 2X6	O	3			
019	652069-6	FLAT HEAD SCREW M3X6		3			
020	620E78-3	CONTROLLER		1			
021	629A56-6	STATOR		1			
022	413394-8	MOTOR HOUSING		1			

023	519683-0	ROTOR ASSY		1		
C10	210248-8	BALL BEARING 6901DDW		1		
C20	253492-4	FLAT WASHER 21		1		
D10		INC. 24-27				
024	313361-2	BALANCER		1		
025	253777-8	FLAT WASHER 8		1		
026	210249-6	BALL BEARING 688LLU		1		
027	961004-6	RETAINING RING (EXT) S-8		1		
028	210039-7	BALL BEARING 695DDW		1	*	
028-1	210281-0	BALL BEARING 695 DDW	O	1		
029	253811-4	FLAT WASHER 5		1		
030	961008-8	RETAINING RING S-5		1		
031	422721-8	CAP		1		
032	422682-2	RUBBER RING 35		1	*	
032-1	422B02-2	RUBBER RING 35	<	1		
033	183S78-3	HOUSING SET		1		
D10		INC. 2,36				
034	213032-0	O RING 4		1		
035	327769-4	HOLDER BOLT		1		
036	422679-1	CUSHION M		2		
037	183S69-4	INNER HOUSING SET		1	*	
D10		INC. 47				
037-1	183Y76-3	INNER HOUSING SET	<	1		
D10		INC. 47				
038	313365-4	WEIGHT		1		
039	413397-2	SWITCH LEVER B		1		
040	650000-6	SWITCH BSW-1125A-17		1		
041	413398-0	SWITCH BASE		1	*	
041-1	413G11-2	SWITCH BASE	<	1		
042	632S34-5	SWITCH UNIT		1		
043	232706-4	LEAF SPRING		1		
044	413399-8	SWITCH COVER		1		
045	422678-3	CUSHION R		2		
046	643874-2	TERMINAL		1		
047	183S69-4	INNER HOUSING SET		1	*	
D10		INC. 37				
047-1	183Y76-3	INNER HOUSING SET	<	1		
D10		INC. 37				
048	265935-4	TAPPING SCREW 3X20		8	*	
048-1	251497-8	TAPPING SCREW 3X20	<	8		
049	8032F3-5	INDICATION LABEL		1		
050	811E24-9	DTM52 NAME PLATE		1		
051	811E32-0	DTM52 SERIAL NO. LABEL		1		
F01	191R02-6	DUST ATTACHMENT SET		1		
A01	191R02-6	DUST ATTACHMENT SET		1		
A02	***DC18RC	DC18RC FAST CHARGER		1		
D10		COMPO-PARTS				
A03	450128-8	BATTERY COVER		1		
A04	197280-8	BATTERY BL1850B SET		2		
A05	821551-8	CONNECTOR PLASTIC CASE (TYP E3)		1		
C10	453974-8	LATCH		4		

A06	835W93-4	INNER TRAY		1		
A07	8032N3-1	DTM52RTJX1 INDICATION LABEL		1		
A08	8032N4-9	DTM52RTJX1 PLASTIC CASE LABEL		2		
A09	821852-4	TOOL BOX		1		
C10	413608-5	SLIDE LATCH		1		
A10	B-64814	STARLOCK CUTSAW 32 TMA047 BIM		1		
A11	B-64799	STARLOCK SEGMENTSAW 85 TMA045		1		
A12	B-64939	STARLOCK CUTSAW 32 TMA059 BIM		1		
A13	B-66400	BOW SHAPE PLUNGE CUT SAWBLADE		1		
A14	B-21624	ABRASIVEPAPER DELTA RED 60		1		
A15	B-22947	ABRASIVEPAPER DELTA RED 100		1		
A16	B-22953	ABRASIVEPAPER DELTA RED 150		1		
A17	B-65115	STARLOCK SANDING PAD 93 TMA078		1		
A07	8032P1-9	DTM52RTJX2 INDICATION LABEL		1		
A08	8032P2-7	DTM52RTJX2 PLASTIC CASE LABEL		2		
A12	B-64836	STARLOCK SEGMENTSAW 85 TMA049		1		
A13	B-64917	STARLOCK CUTSAW 10 TMA057 BIM		1	*	
A13-1	B-64917	STARLOCK CUTSAW 10 TMA057 BIM	○	1		
A14	B-64923	STARLOCK CUTSAW 20 TMA058 BIM		1	*	
A14-1	B-64923	STARLOCK CUTSAW 20 TMA058 BIM	○	1		
A15	B-64939	STARLOCK CUTSAW 32 TMA059 BIM		1		
A16	B-64995	STARLOCK SCRAPERFLEXIBLE TMA66		1		
A17	B-65028	STARLOCK SEGMENTSAW 85 TMA069		1		
A18	B-65040	STARLOCK SEGMENTSAW 70 TMA071		1		
A19	B-66400	BOW SHAPE PLUNGE CUT SAWBLADE		1		
A20	B-66416	BOW SHAPE PLUNGE CUT SAWBLADE		1		
A21	B-66472	JOINT CUTTER BLADE/ SEALING		1		
A22	B-22953	ABRASIVEPAPER DELTA RED 150		1		
A23	B-65115	STARLOCK SANDING PAD 93 TMA078		1		
A07	8053L4-7	DTM52ZJX4 INDICATION LABEL		1		
A08	8053L5-5	DTM52ZJX4 PLASTIC CASE LABEL		2		
A24	B-21624	ABRASIVEPAPER DELTA RED 60		1		
A25	B-22947	ABRASIVEPAPER DELTA RED 100		1		

Please state Parts No. when your order.

Print Date 02/16/2024