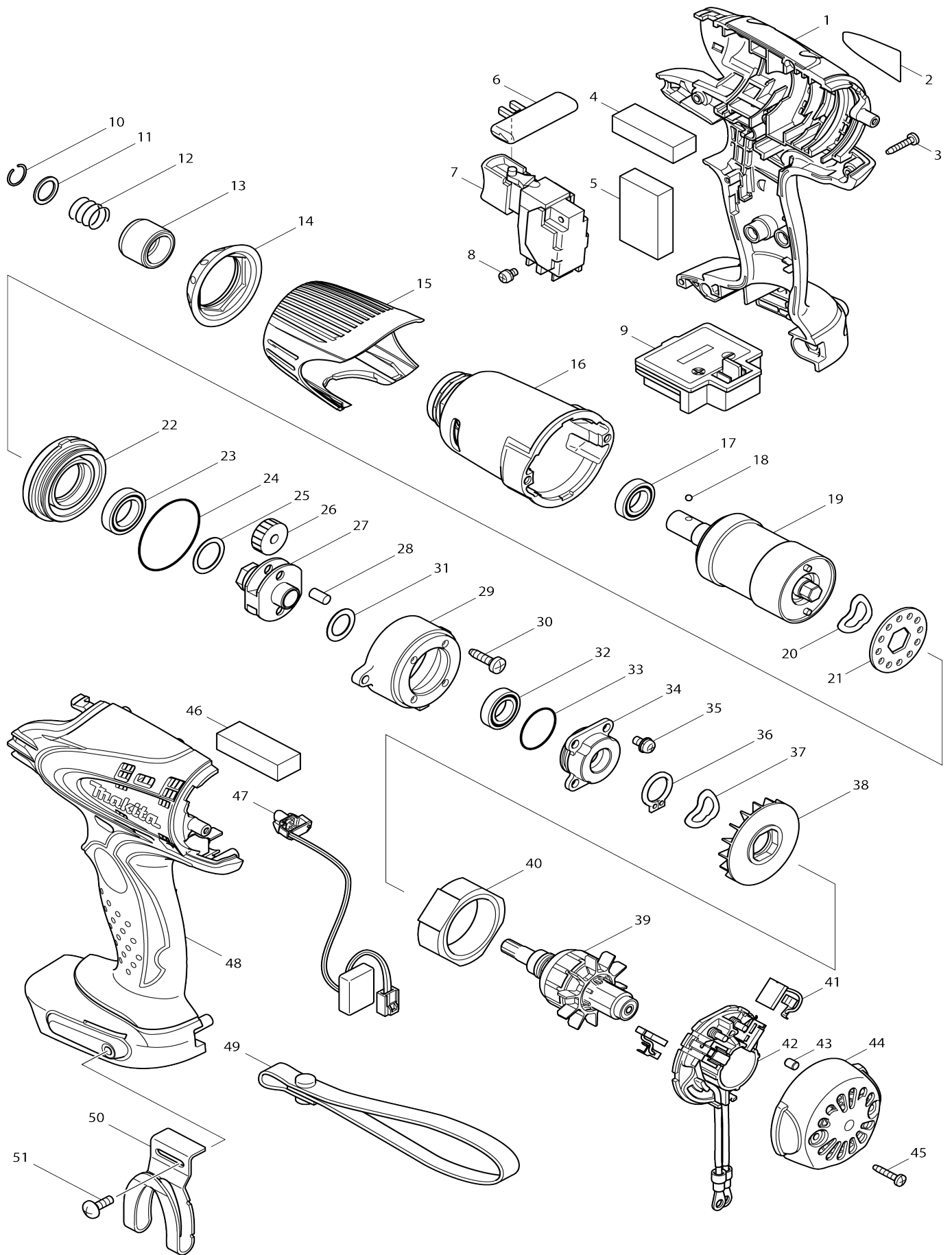


Model No.DTS130 CORDLESS OIL-IMPULSE DRIVER



Model No.DTS130 CORDLESS OIL-IMPULSE DRIVER

Item No.	Parts No.	Description	Interchangability	Q'ty	New/Old	Note1	Note2
001	187481-6	HOUSING SET		1			
D10		INC. 4,5,46,48					
002	850L27-0	DTS130 NAME PLATE		1			
003	266130-9	TAPPING SCREW BIND PT 3X16		9			
004	423352-6	SPONGE SHEET B		1			
005	423351-8	SPONGE SHEET A		1			
006	419041-9	F/R CHANGE LEVER		1			
007	650652-3	SWITCH TG553FSB-1B		1			
008	652045-0	+PAN HEAD SCREW M3.5X5		2			
009	643866-1	TERMINAL		1			
010	231965-7	RING SPRING 10		1			
011	267143-3	FLAT WASHER 11		1			
012	233005-7	COMPRESSION SPRING 13		1			
013	324615-2	BIT SLEEVE		1			
014	424197-5	BUMPER		1			
015	419168-5	UNIT CASE COVER		1			
016	154740-3	UNIT CASE COMPLETE		1			
017	211136-2	BALL BEARING 6801LLB		1			
018	216019-1	STEEL BALL 3		2			
019	154847-5	OIL UNIT COMPLETE		1			
020	267721-9	WAVE WASHER 15		1			
021	345636-1	LOCK WASHER		1			
022	317963-6	BEARING BOX B		1			
023	211233-4	BALL BEARING 6802LLB		1			
024	213508-7	O RING 38		1			
025	253147-1	FLAT WASHER 15		1			
026	226336-1	SPUR GEAR 22		2	*		
026-1	227362-3	SPUR GEAR 22	<	2			
027	324600-5	CARRIER		1			
028	256253-1	PIN 5		2			
029	313126-2	INTERNAL GEAR CASE		1			
030	266034-5	TAPPING SCREW CT 4X16		2			
031	253052-2	FLAT WASHER 12		1			
032	211136-2	BALL BEARING 6801LLB		1			
033	213373-4	O RING 22		1			
034	154881-5	BEARING BOX A COMPLETE		1			
D10		INC. 32					
035	911506-2	PAN HEAD SCREW M4X8		4			
036	961054-1	RETAINING RING S-14		1			
037	267721-9	WAVE WASHER 15		1			
038	240086-4	FAN 46		1			
039	619168-7	ARMATURE		1			
040	638396-5	YOKE UNIT		1			
041	194427-5	CARBON BRUSH SET CB-440		1	*		
041-1	195021-6	CARBON BRUSH SET CB-440	O	1			
042	638857-5	BRUSH HOLDER COMPLETE		1			
C10	231696-8	TORSION SPRING R		1			

C20	231697-6	TORSION SPRING L		1		
043	263032-0	RUBBER PIN 4		2		
044	418981-8	REAR COVER		1		
045	266130-9	TAPPING SCREW BIND PT 3X16		2		
046	423352-6	SPONGE SHEET B		1		
047	631631-0	LIGHT CIRCUIT		1		
048	187481-6	HOUSING SET		1		
D10		INC. 1,4,5,46				
050	346317-0	HOOK		1		
051	251314-2	+ SCREW M4X12		1		
A01	***DC18RC	DC18RC FAST CHARGER		1		
A02	194065-3	BATTERY BL1430 SET		2	*	
A02-1	194065-3	BATTERY BL1430 SET	O	2	*	
A02-2	197616-1	BATTERY BL1430B SET	<	2	*	
A02-3	197616-1	BATTERY BL1430B SET	O	2		
A03	141205-4	PLASTIC CARRYING CASE		1		
C10	324207-7	SHAFT		1		
C20	413098-2	PLATE		4		
C30	417724-5	LATCH		2		
C40	419215-2	PLASTIC CASE LID		1		
C50	419216-0	HANDLE		1		
A04	804J64-4	DTS130RFE PLASTIC CASE LABEL		1		
A05	450128-8	BATTERY COVER		1		
F25	194281-7	STOPPER SET (W/BITS)		1		
F28	194654-4	HOOK SET		1		
C10	251314-2	+ SCREW M4X12		1		
C20	324705-1	HOOK		1		
F29	194649-7	BATTERY PROTECTOR		1		
C10	251314-2	+ SCREW M4X12		2		
F30-3	197622-6	BATTERY BL1430B SET(2PIECES)	O	1	*	
F31-3	197615-3	BATTERY BL1430B SET	O	1		
F32-2	197043-2	TOOL HANGER SET	O	1		
A03	821550-0	CONNECTOR PLASTIC CASE (TYP E2)		1		
C10	453974-8	LATCH		4		
A04	837670-0	INNER TRAY		1		
A06	804J58-9	DTS130RFJ INDICATION LABEL		1		
A07	804J59-7	DTS130RFJ PLASTIC CASE LABEL		2		
A06	804J60-2	DTS130ZJ INDICATION LABEL		1		
A07	804J61-0	DTS130ZJ PLASTIC CASE LABEL		2		

Please state Parts No. when your order.

Print Date 11/17/2023